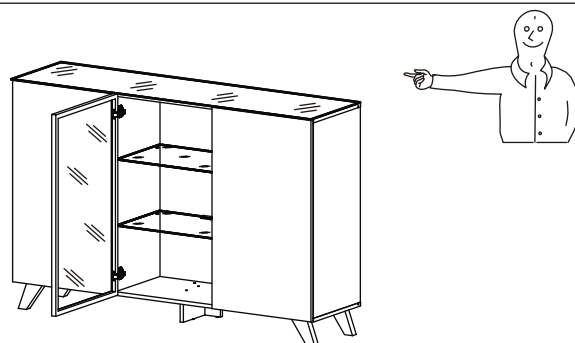
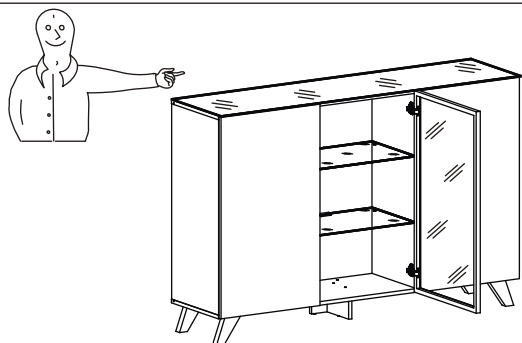
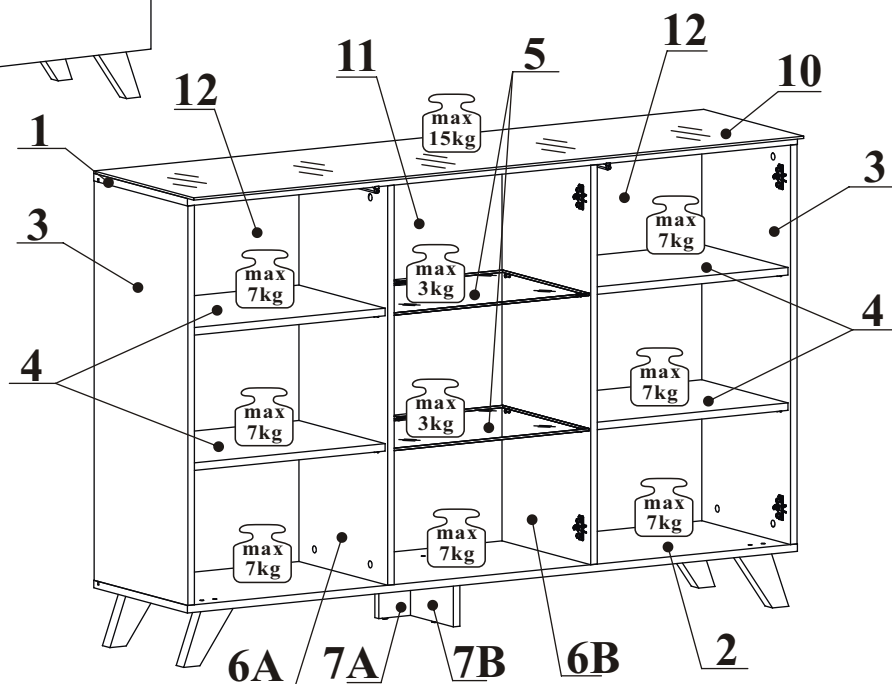
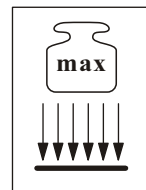
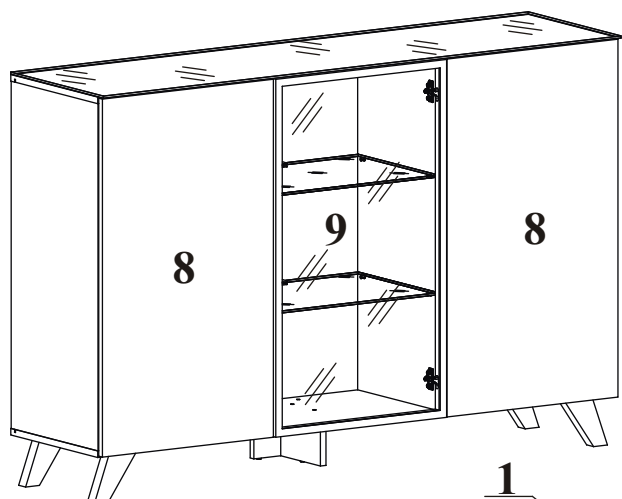
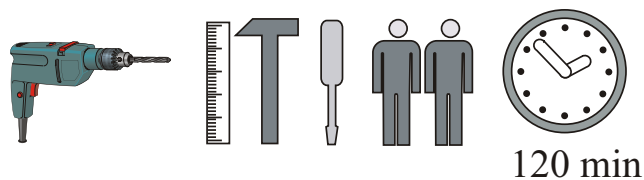


THIN 27_THTHS

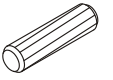
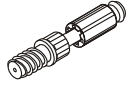




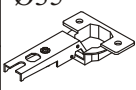
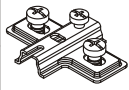
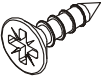
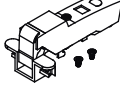
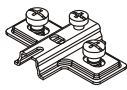

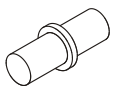
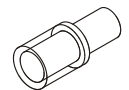
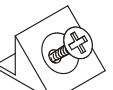
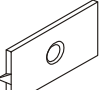


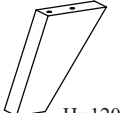

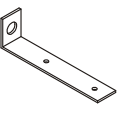
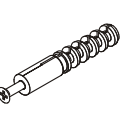
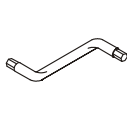
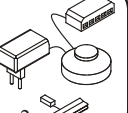


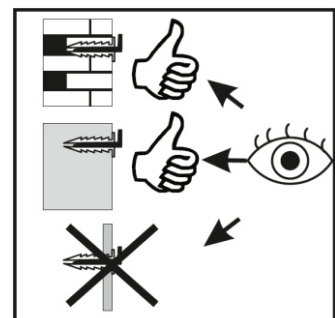
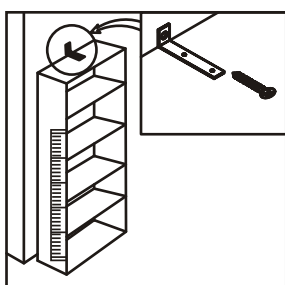
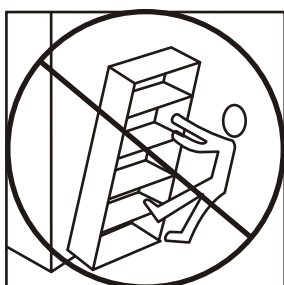
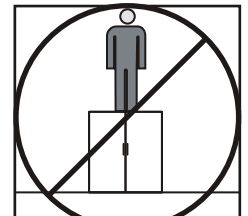
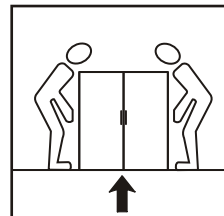
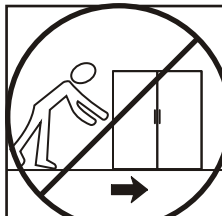
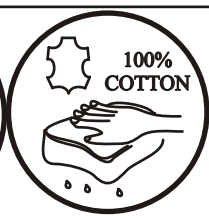
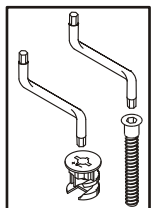
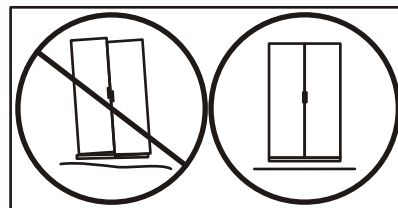
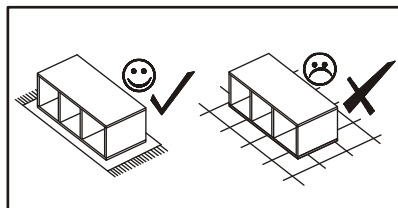
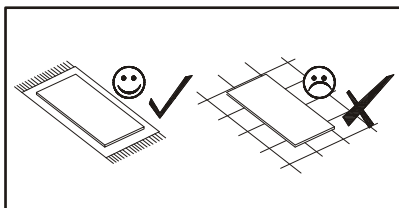
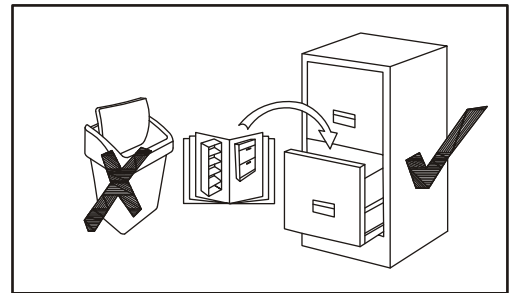
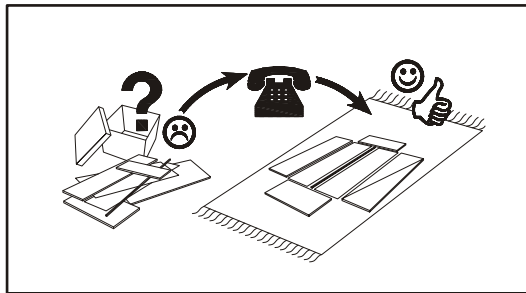
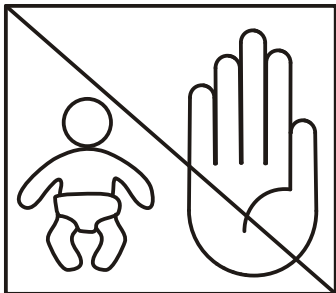
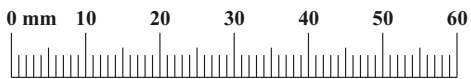
NO	Dim.		Col.-No	Qty
1	1502	376	2	1
2	1502	376	2	1
3	850	376	1	2
4	476	346	2	4
5	483	346	1	2
6A / 6B	850	356	1	2
7A	115	172	2	1
7B	115	172	2	1
8	496	876	1	2
9	496	876	1	1
10	1502	401	2	1
11	500	862	1	1
12	490	862	1	2



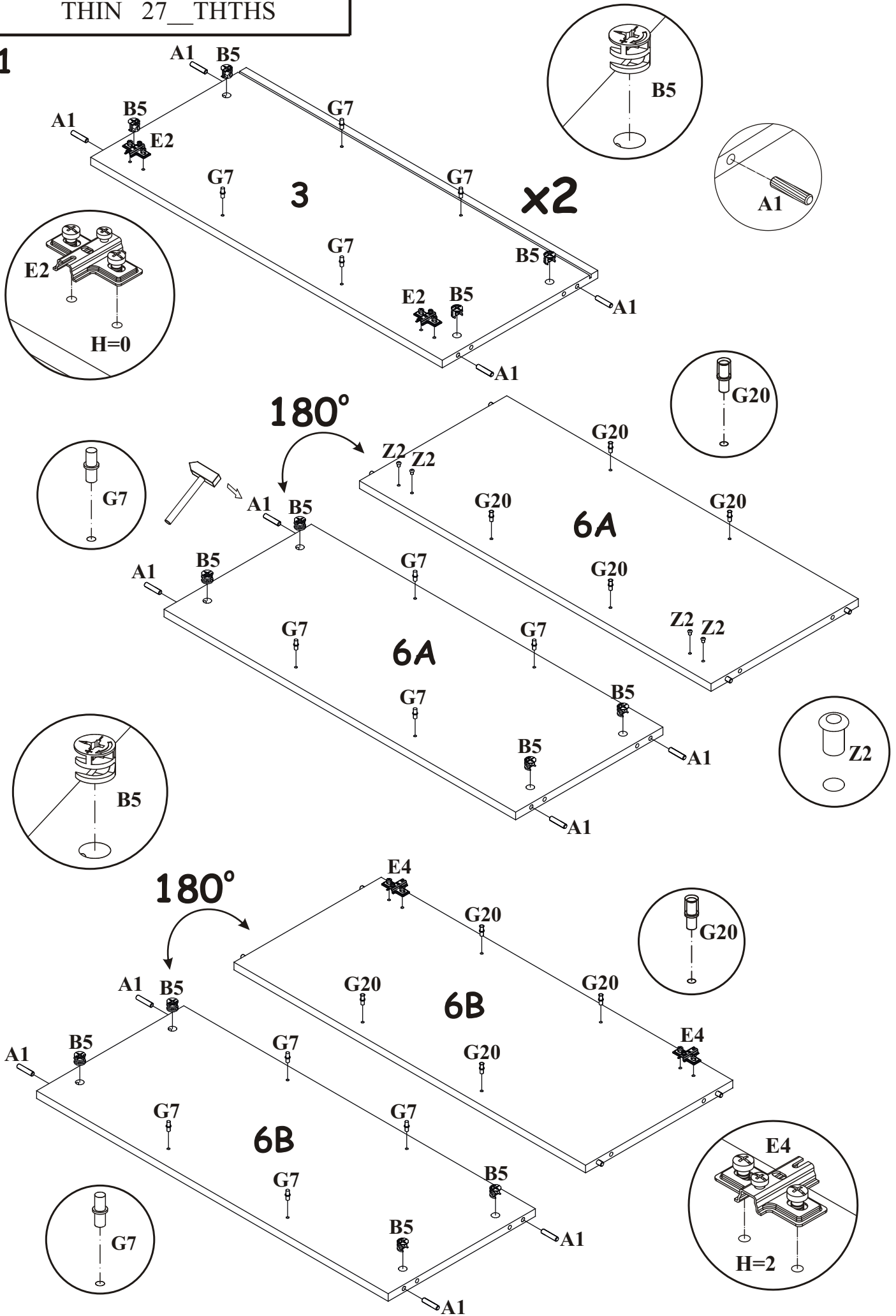
120 min

THIN 27_THTHS

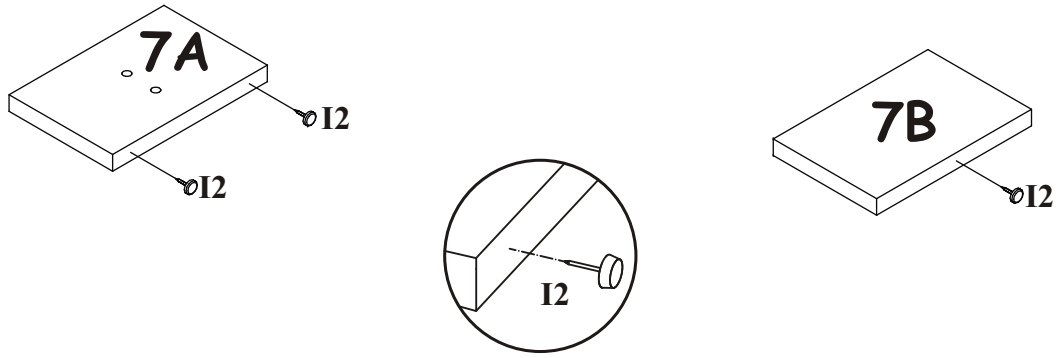
A1 x16  ø8x36	B4 x16 	B5 x16  Ø15x12	G5 x16 	B11 x14  Ø7x50	G4 x14 
E21 x4  Ø35 H=0	E2 x4  H=0	D10 x16  USØ3,5x13	E31 x2  H=8	E4 x2  H=2	Z2 x4  Ø5
G7 x16 	G20 x8 	S1 x18 	G16 x8 	UP13 x8  UPØ3x16	OD1 x3 
SK x4  H=120	I2 x3 	L1 x1 	KR1 x1 	G2 x1 	LED x2 



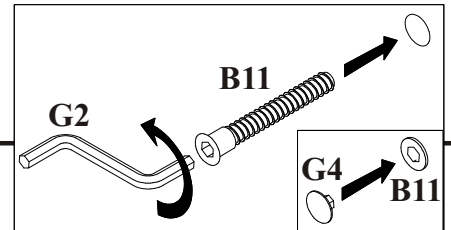
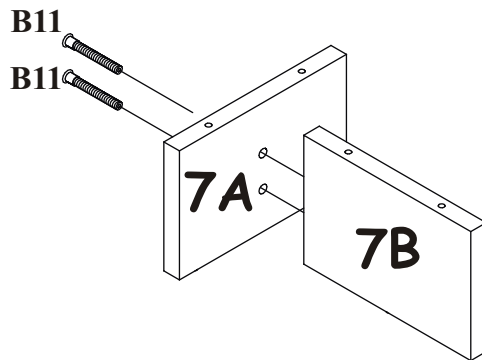
1



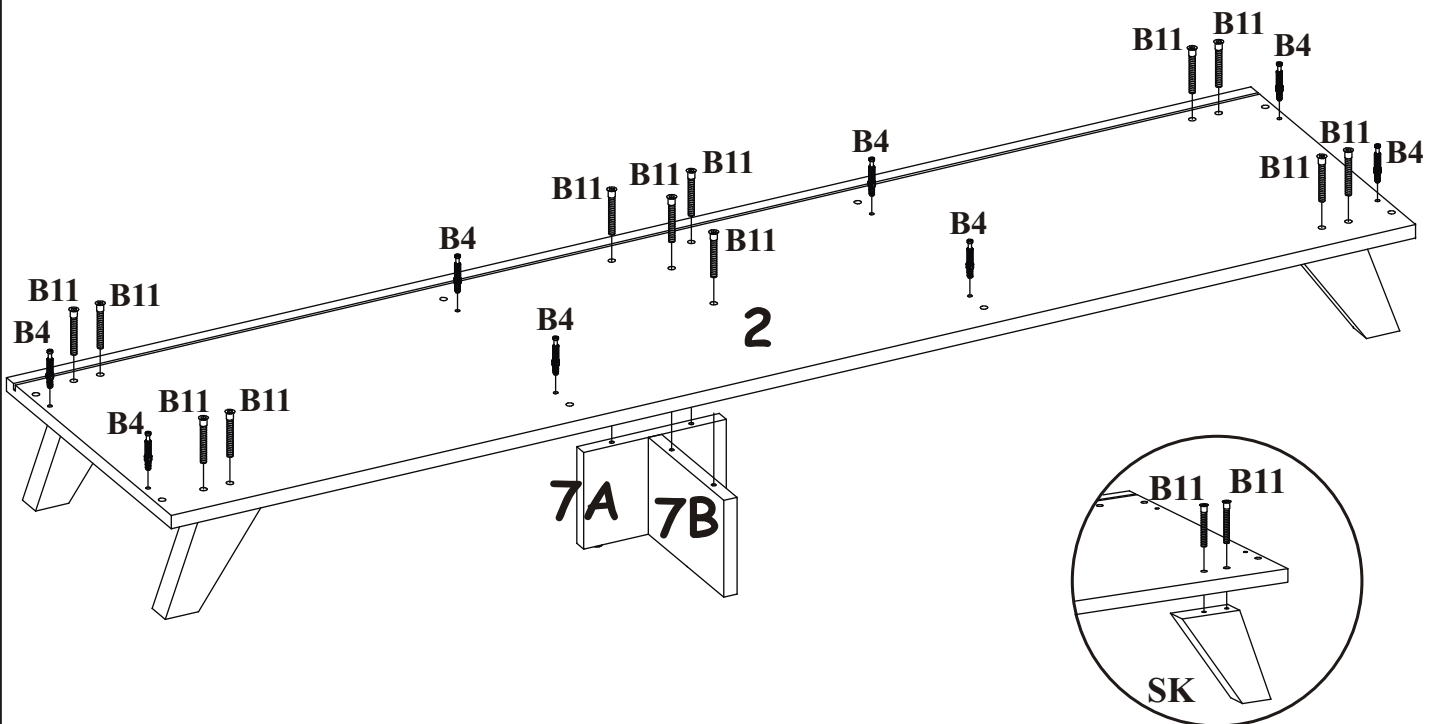
2



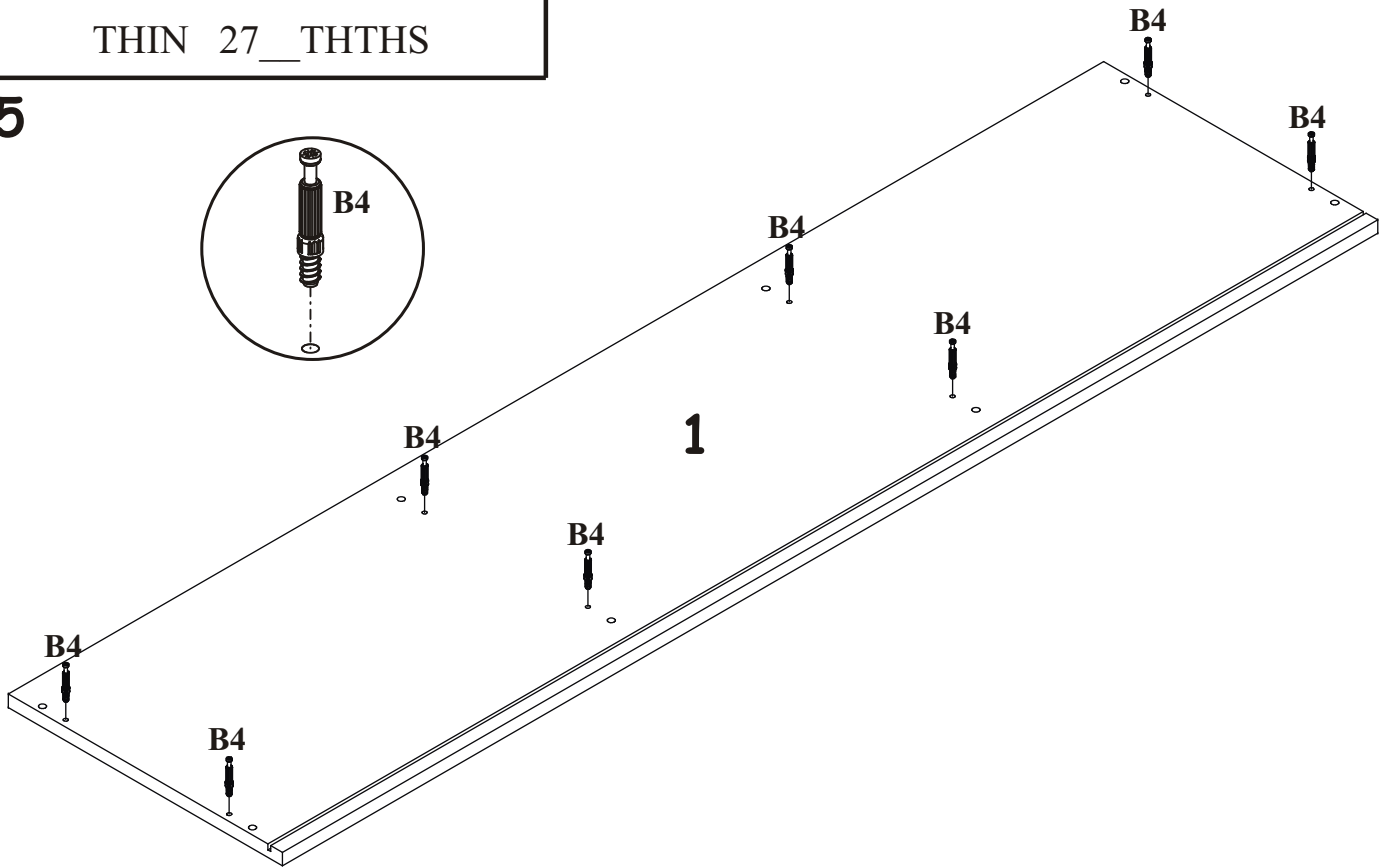
3



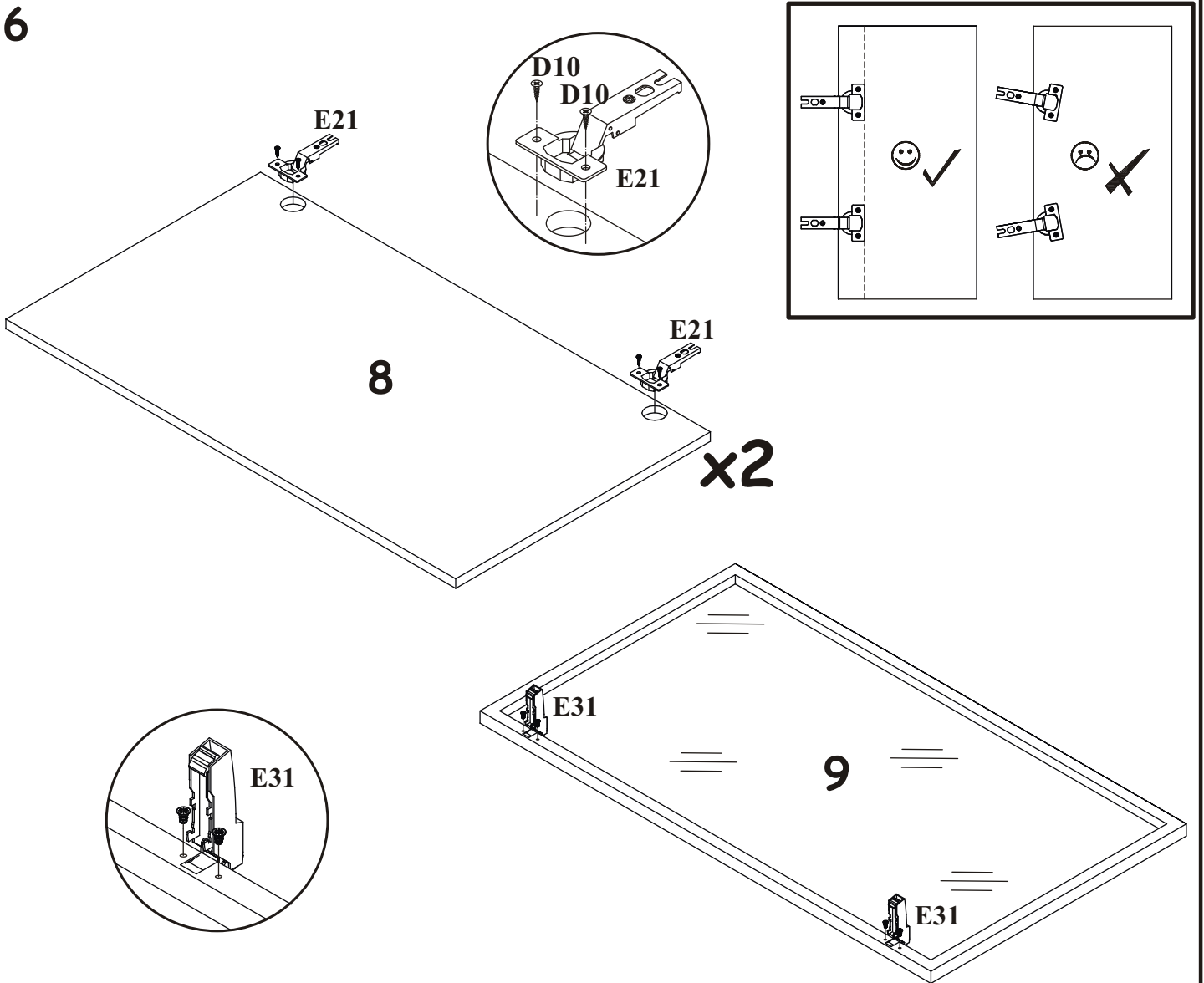
4



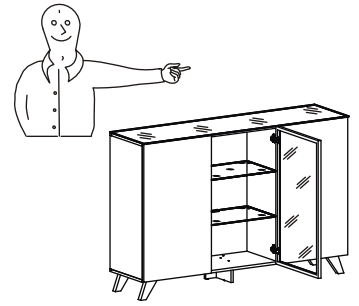
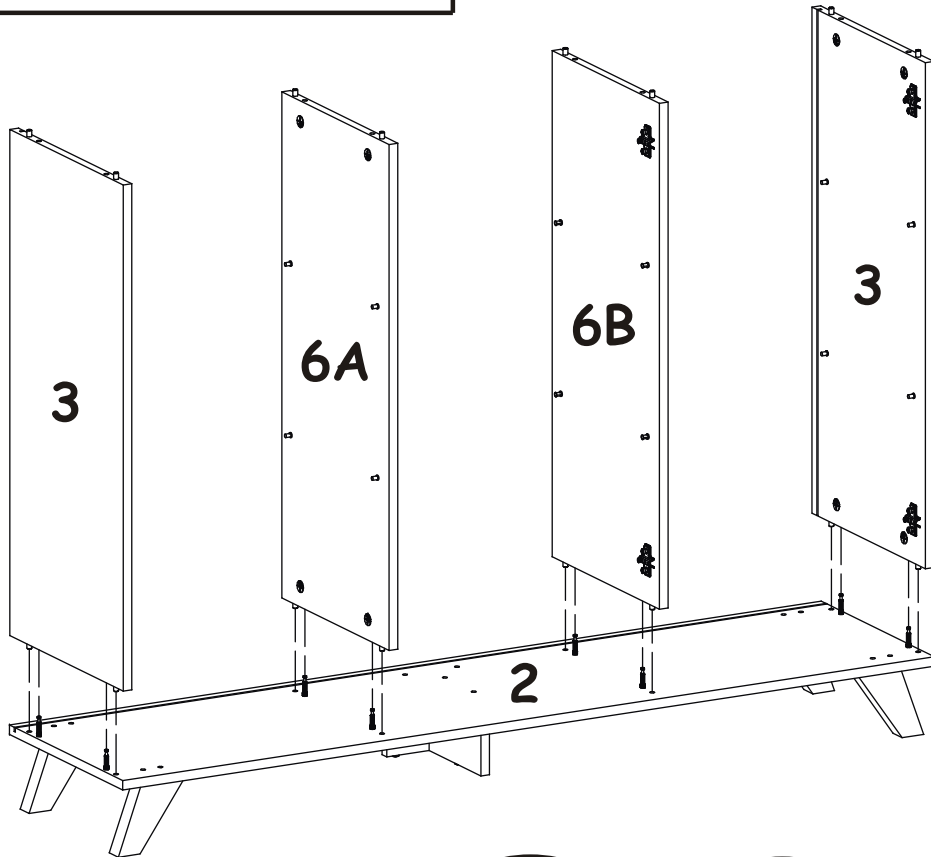
5



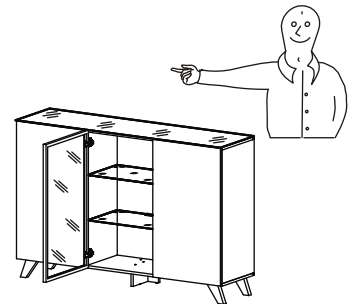
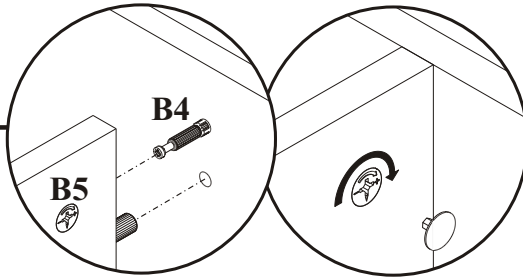
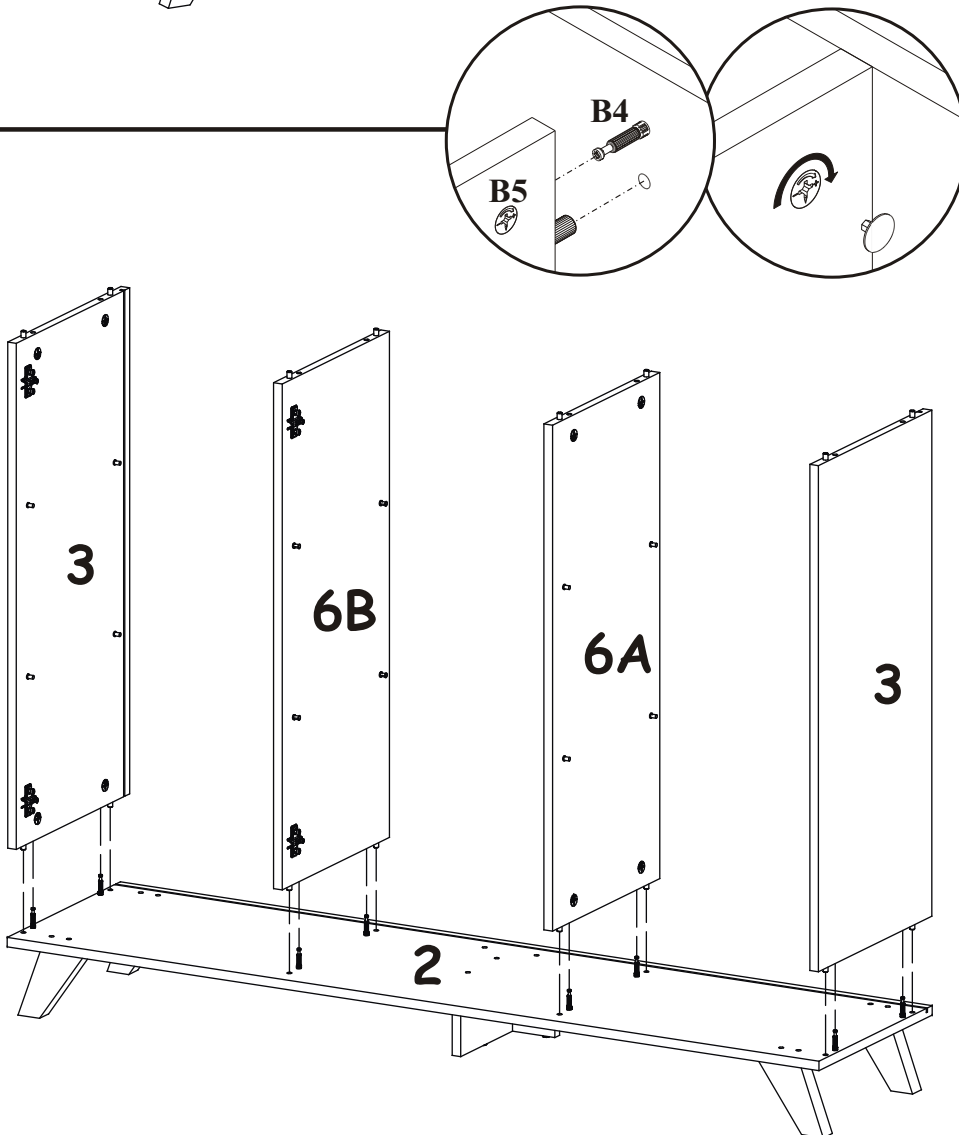
6



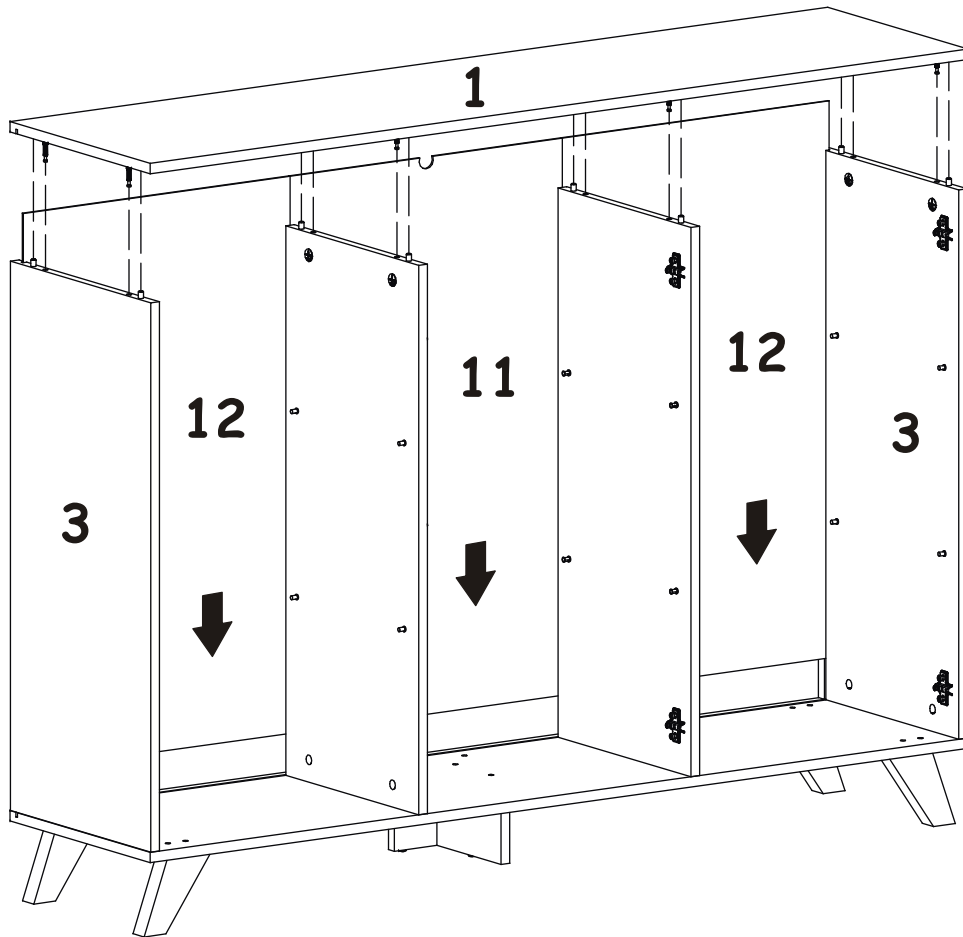
7



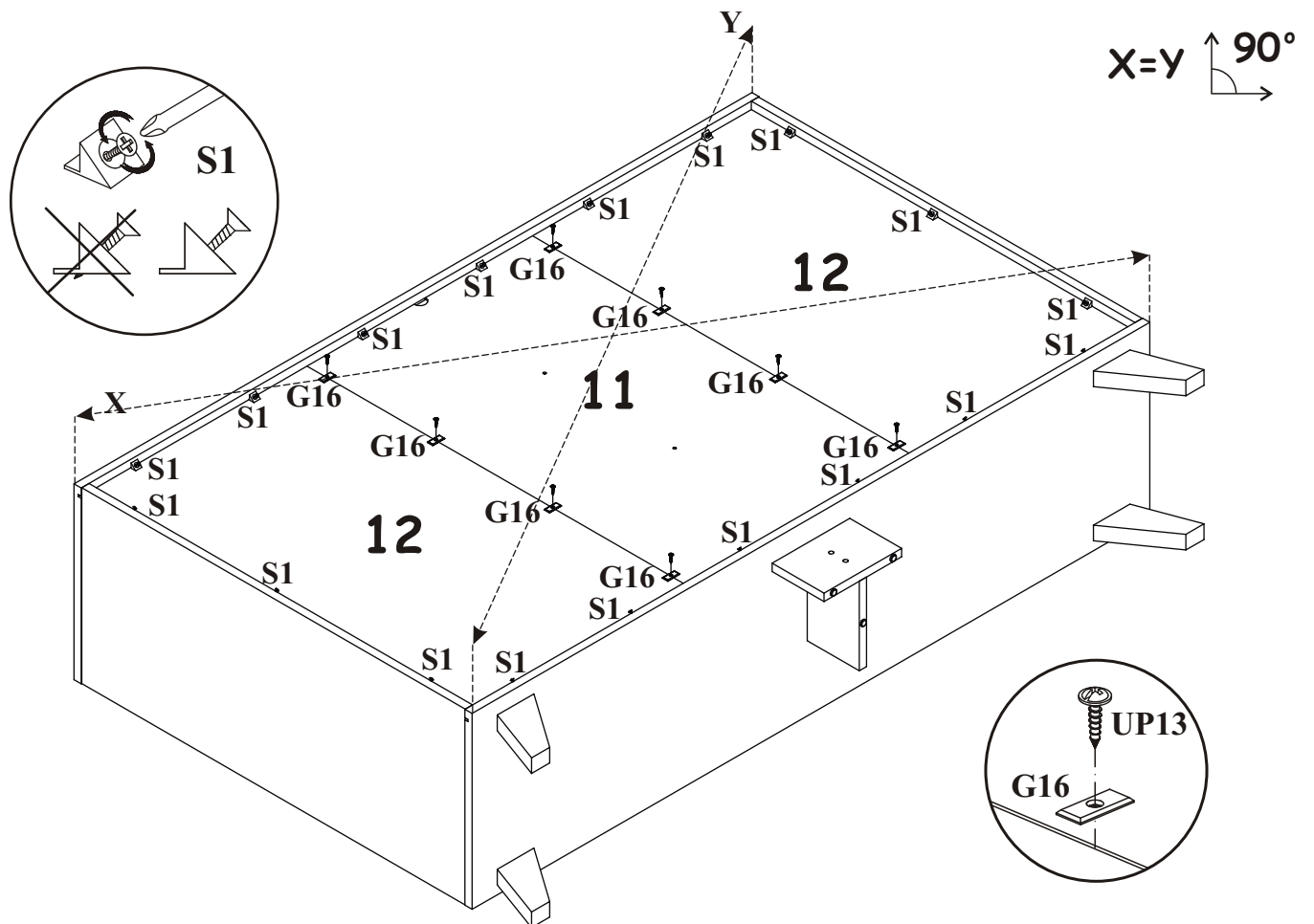
7



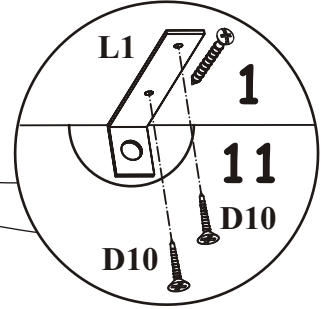
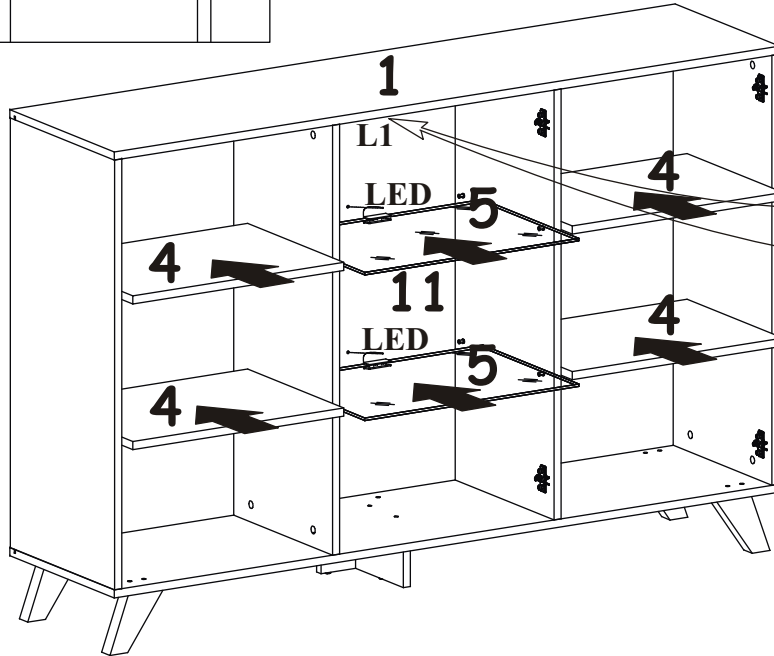
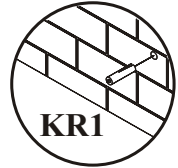
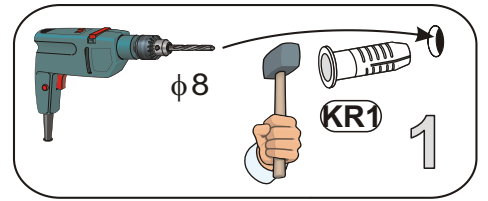
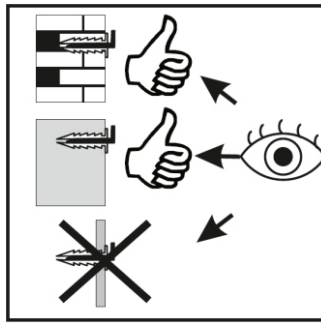
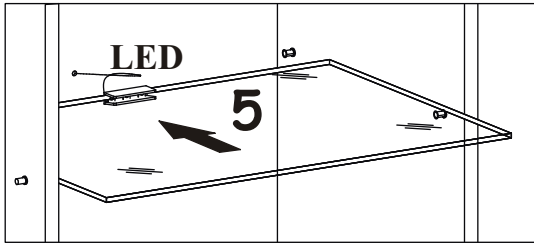
8



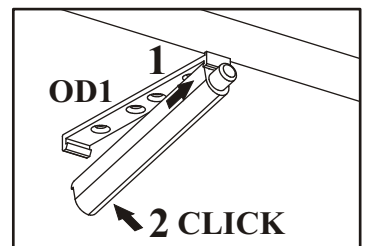
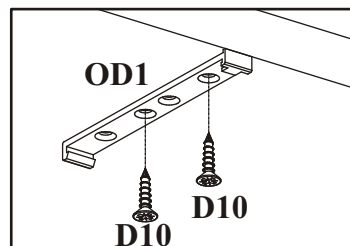
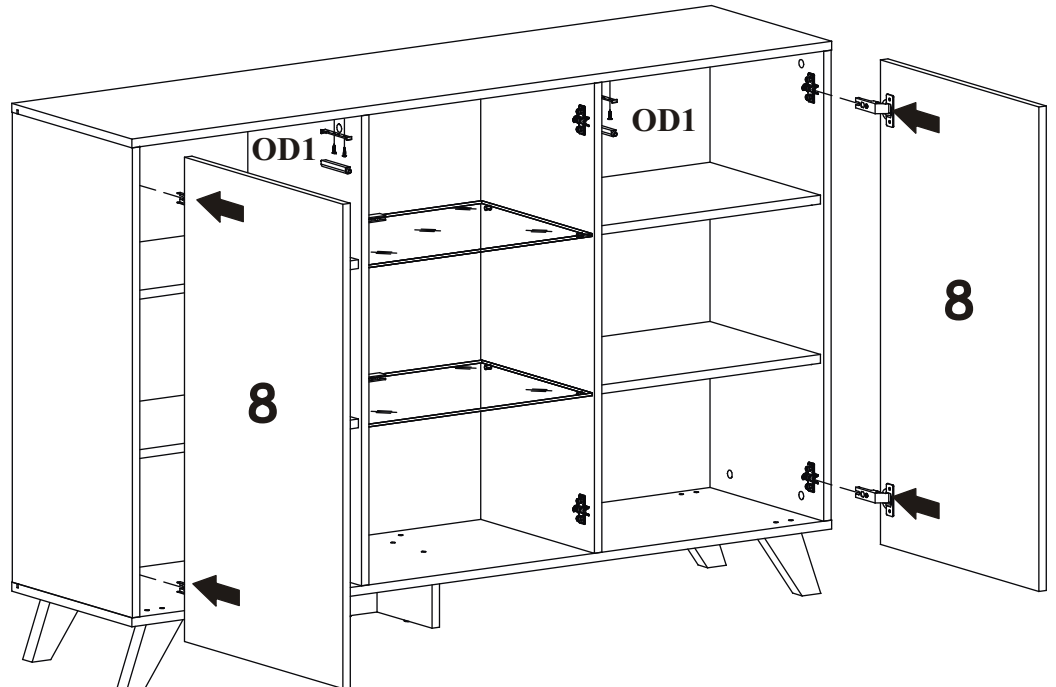
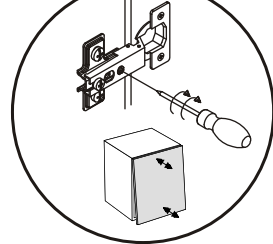
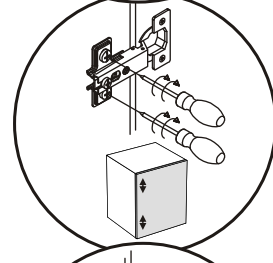
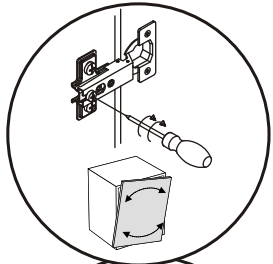
9



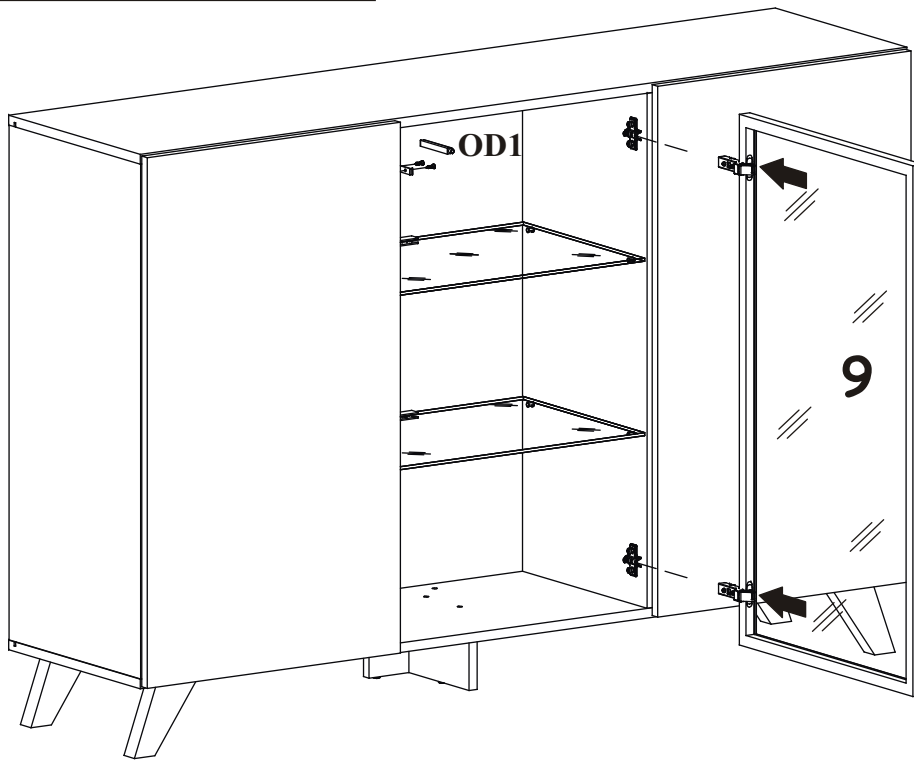
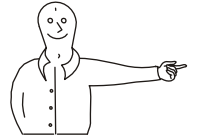
10



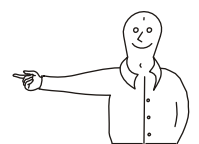
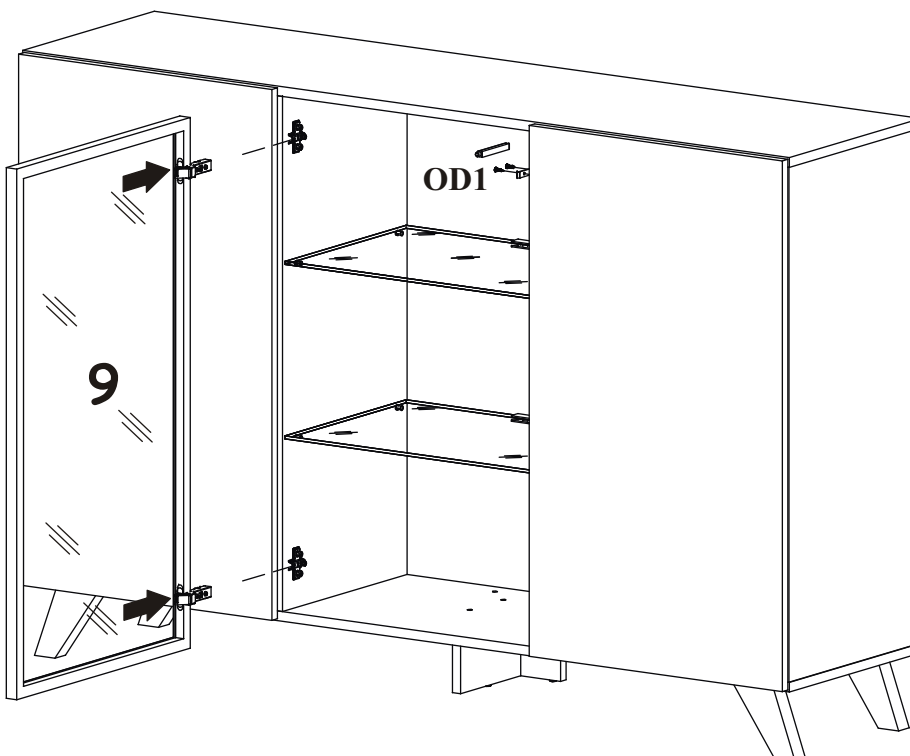
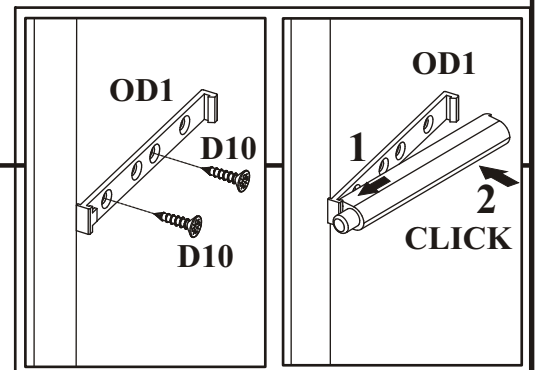
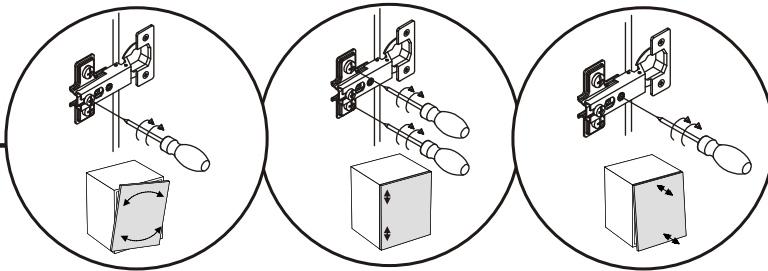
11



12

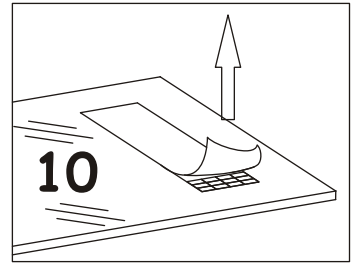
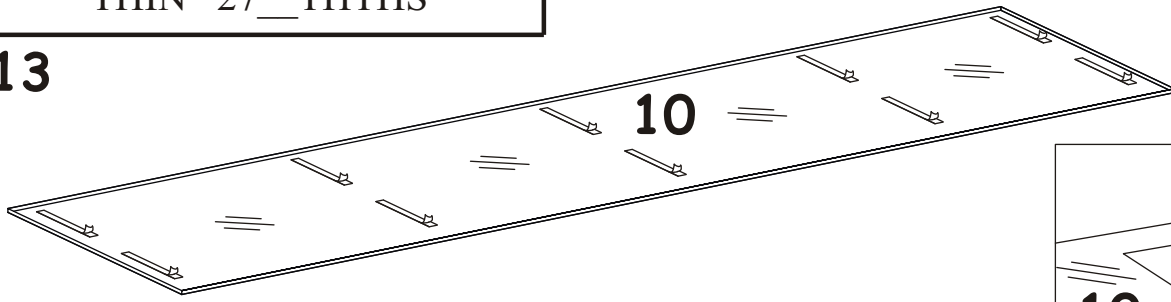


12



THIN 27_THTHS

13



14

