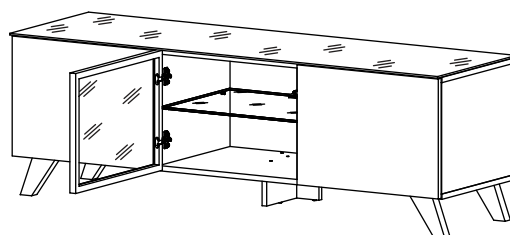
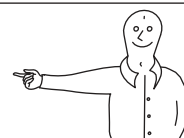
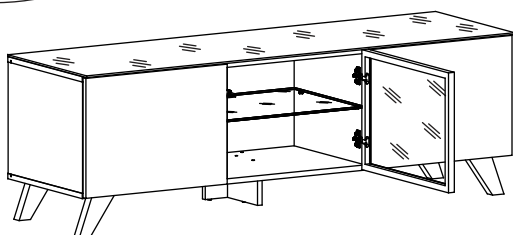
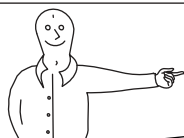
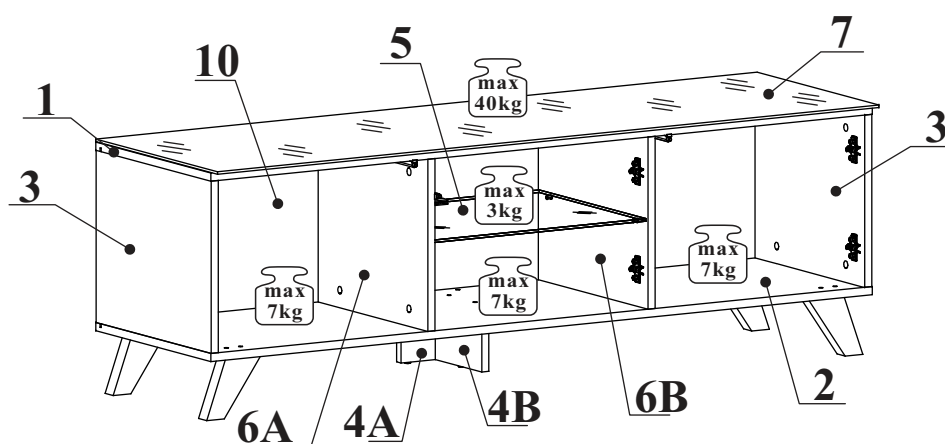
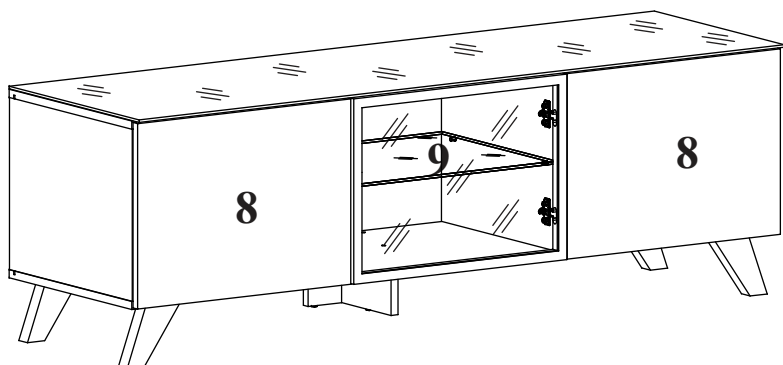
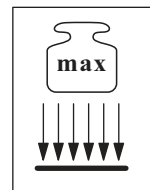
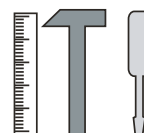


# THIN 27\_THTHR

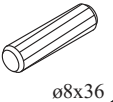
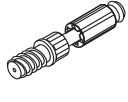

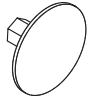


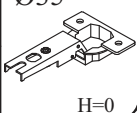
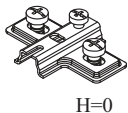

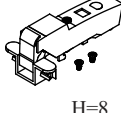
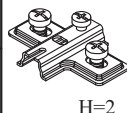

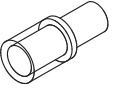
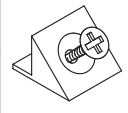




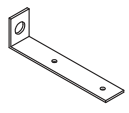


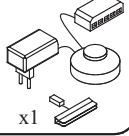


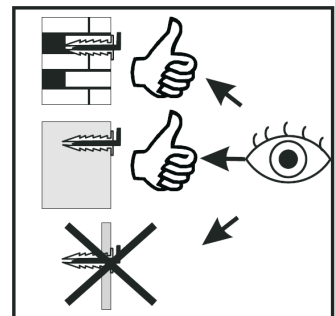
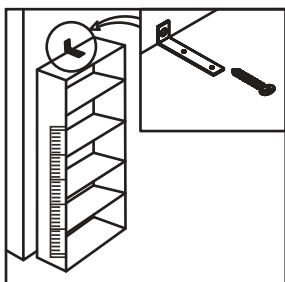
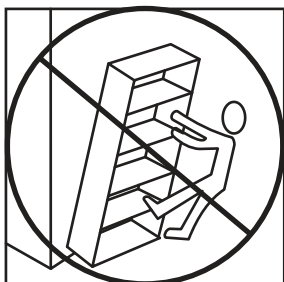
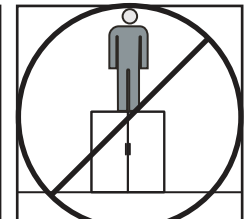
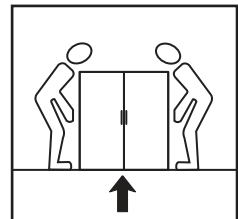
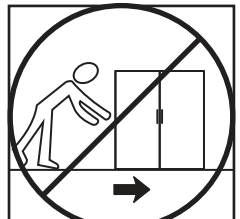
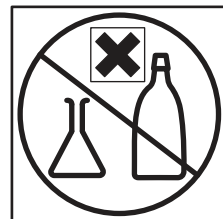
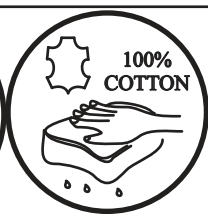
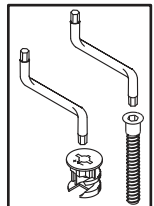
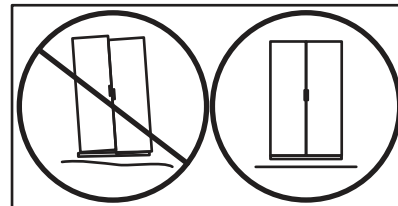
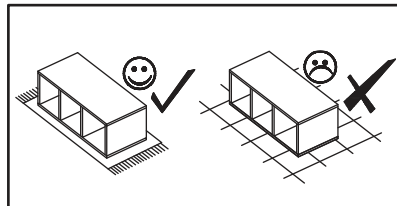
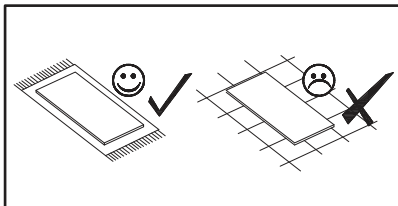
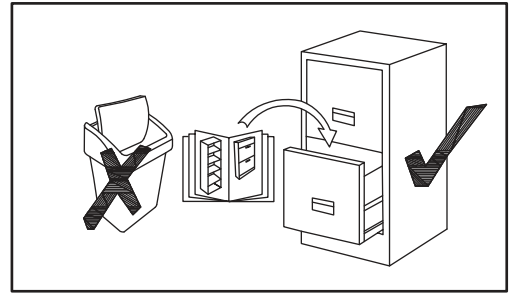
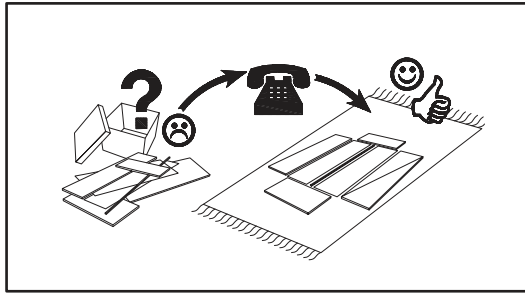
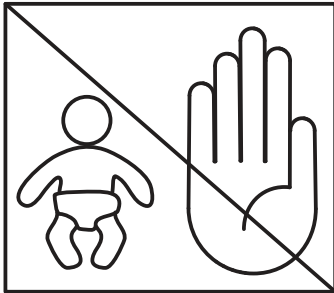
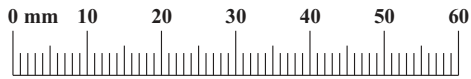
NO	Dim.[mm]			Col.-No	Qty
1	1502	426	16	2	1
2	1502	426	16	2	1
3	338	426	16	1	2
4A	115	172	16	1	1
4B	115	172	16	1	1
5	483	396	5	2	1
6A / 6B	338	406	16	1	2
7	1502	451	5	2	1
8	496	364	16	2	2
9	496	364	21	2	1
10	1480	350	3	2	1



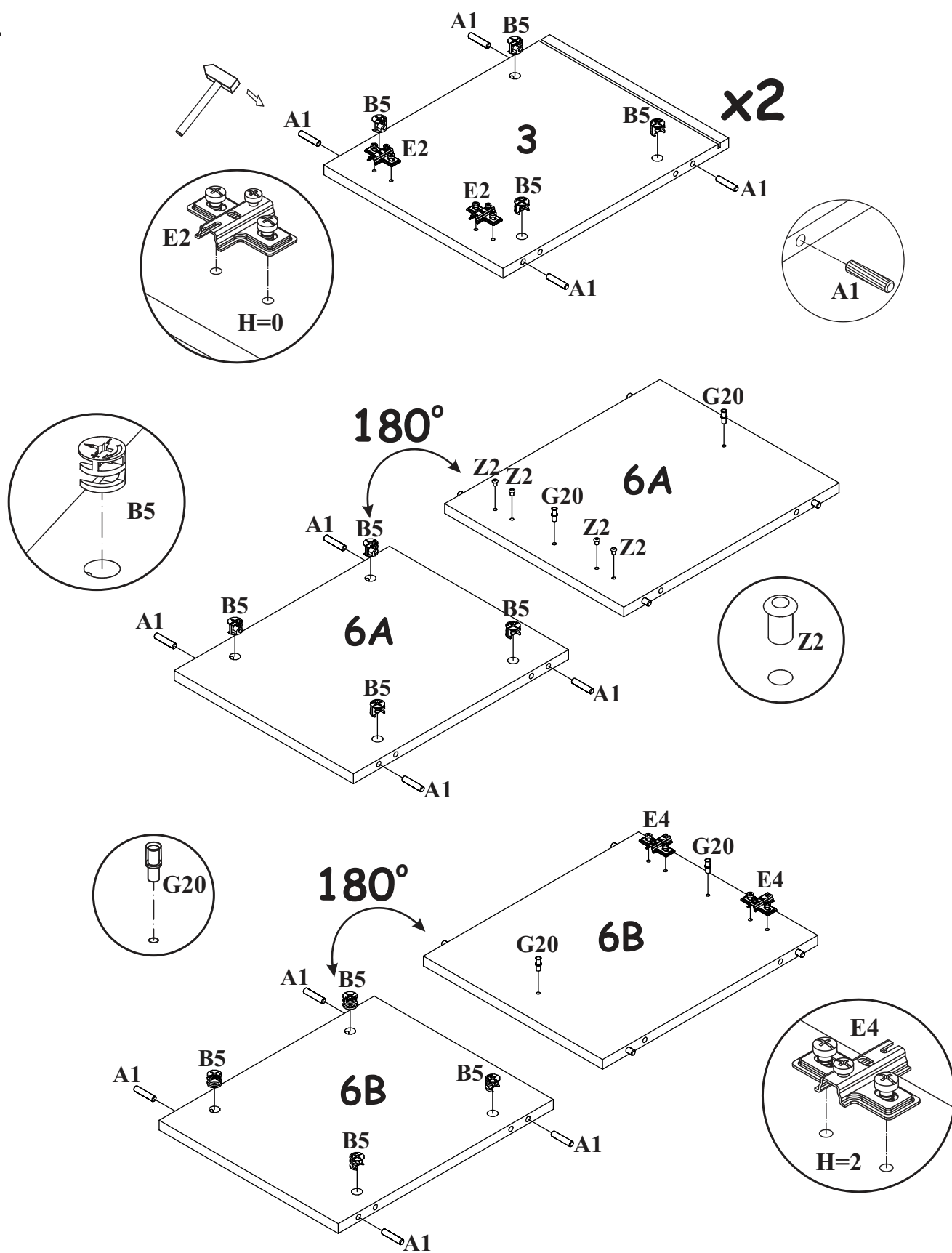
120 min

THIN 27\_THTHR

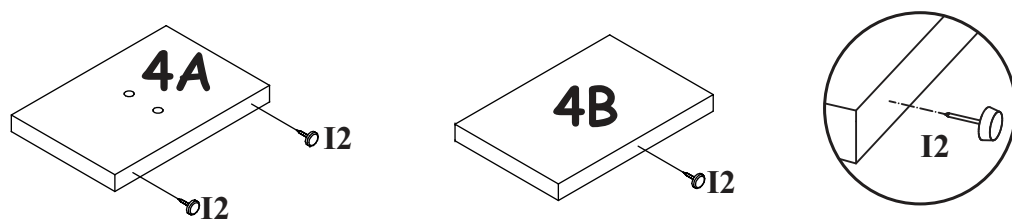
A1 x16  ø8x36	B4 x16 	B5 x16  Ø15x12	G5 x16 	B11 x14  Ø7x50	G4 x14 
E21 x4 Ø35  H=0	E2 x4  H=0	D10 x16  USØ3,5x13	E31 x2  H=8	E4 x2  H=2	Z2 x4  Ø5
G20 x4 	S1 x14 	UP13 x6  UPØ3x16	SK x4  H=120	I2 x3 	OD1 x3 
L1 x1 	KR1 x1 	G2 x1 	LED x1 		



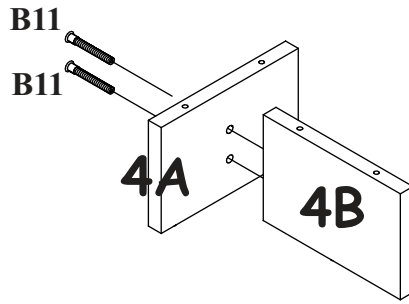
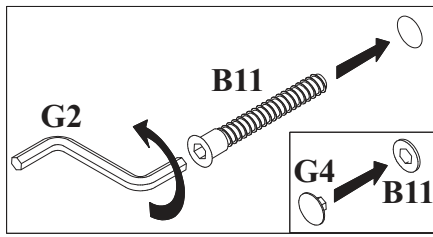
1



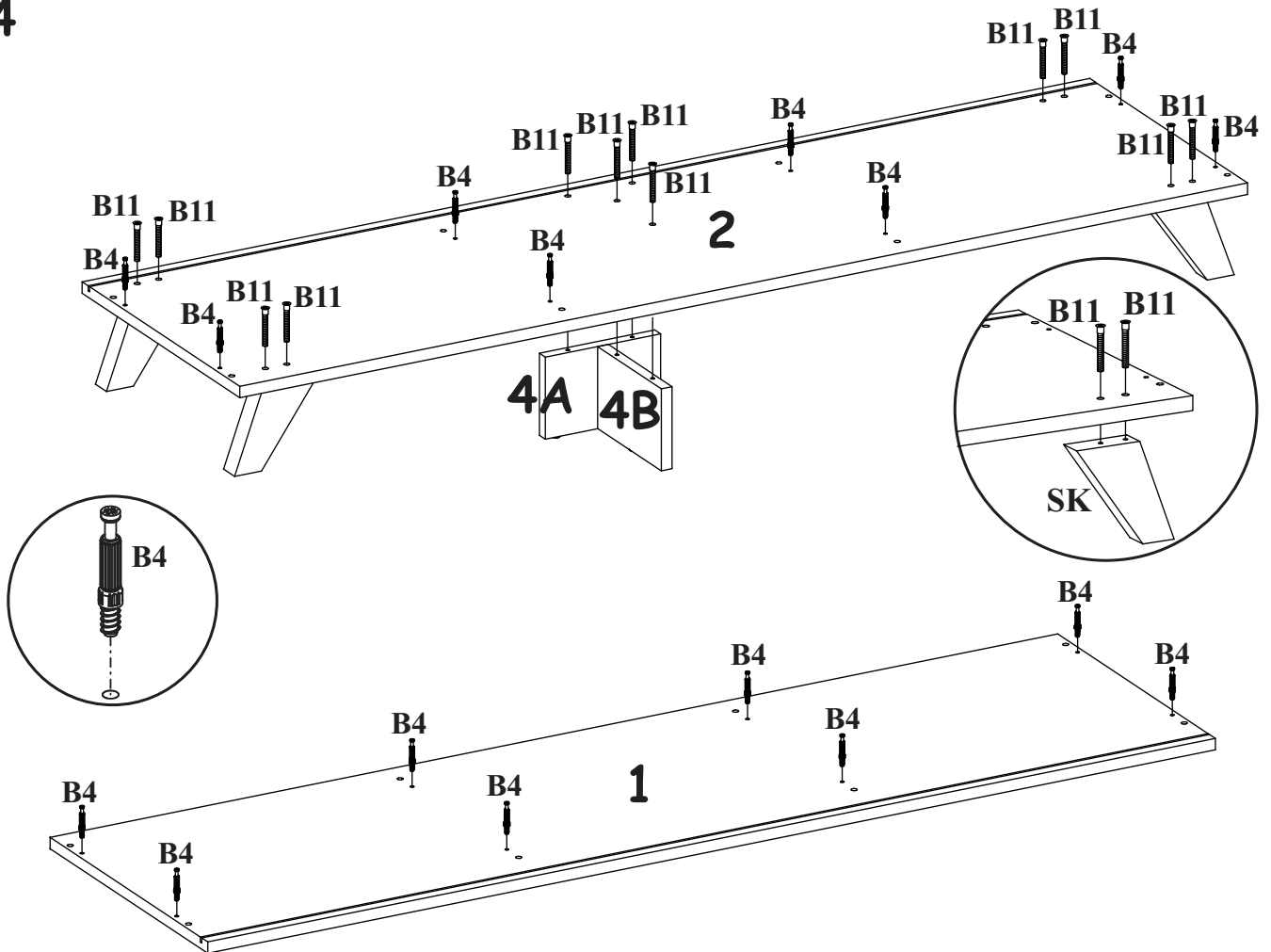
2



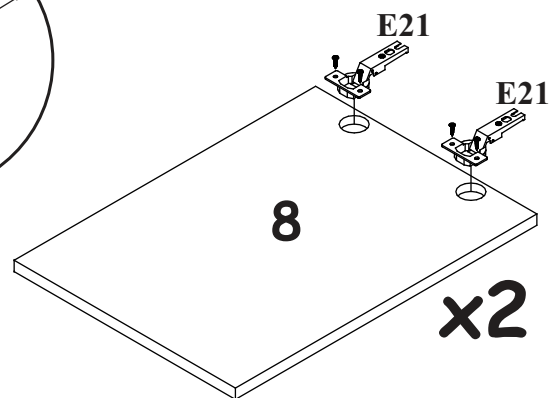
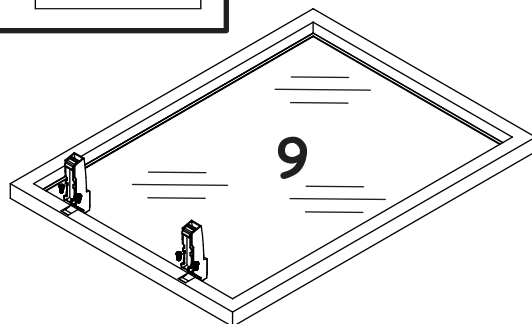
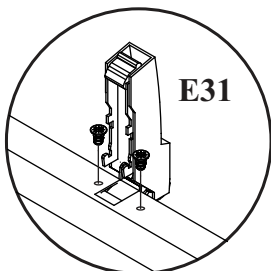
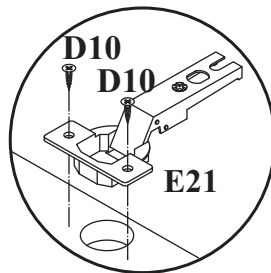
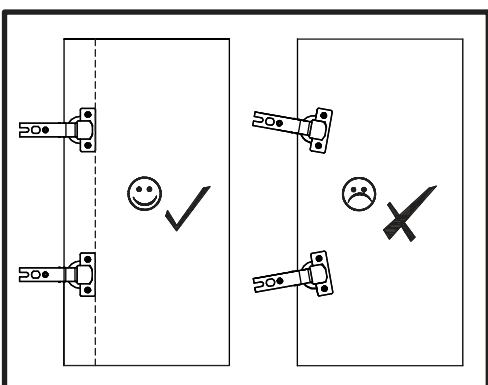
3



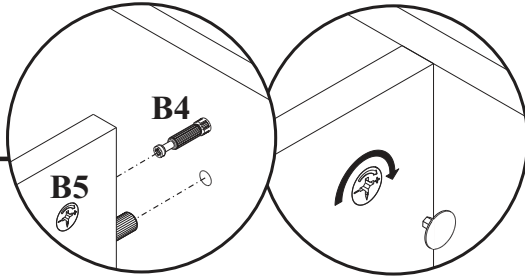
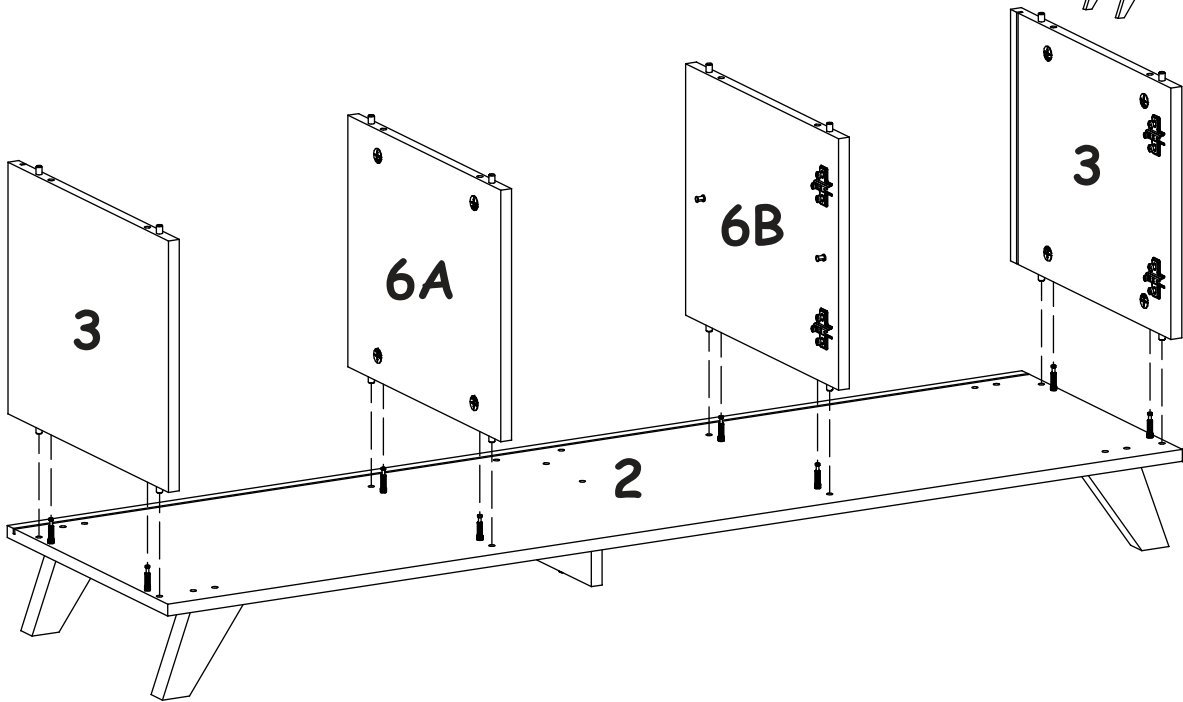
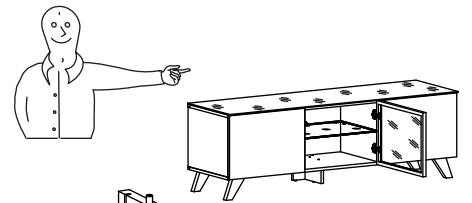
4



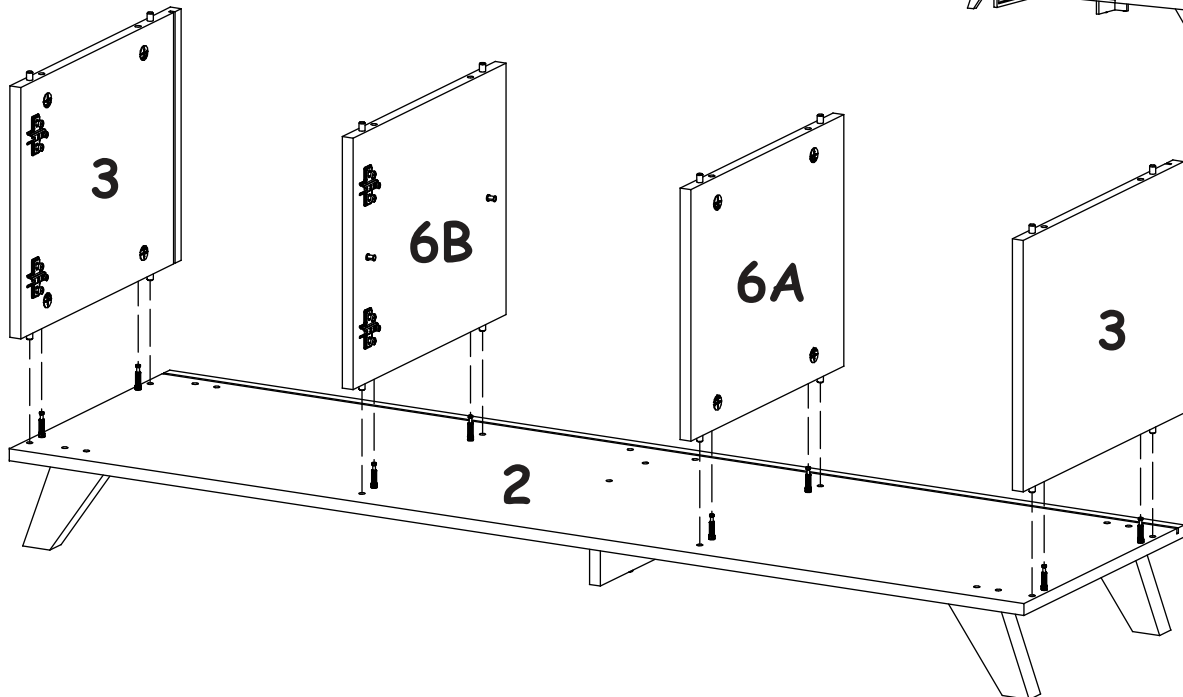
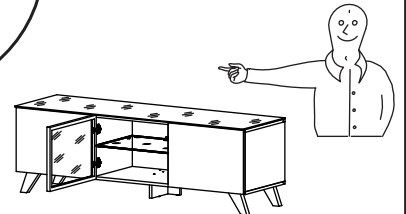
5



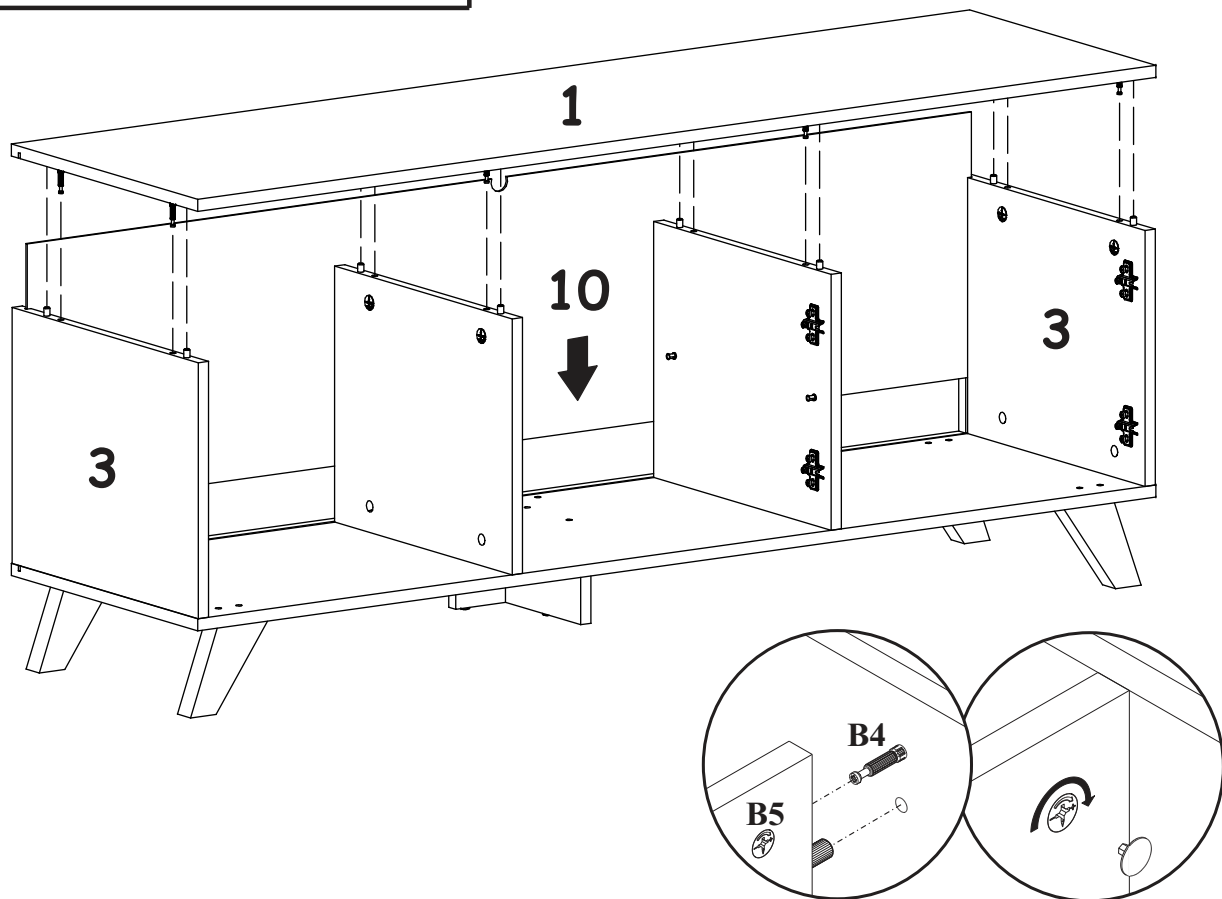
6



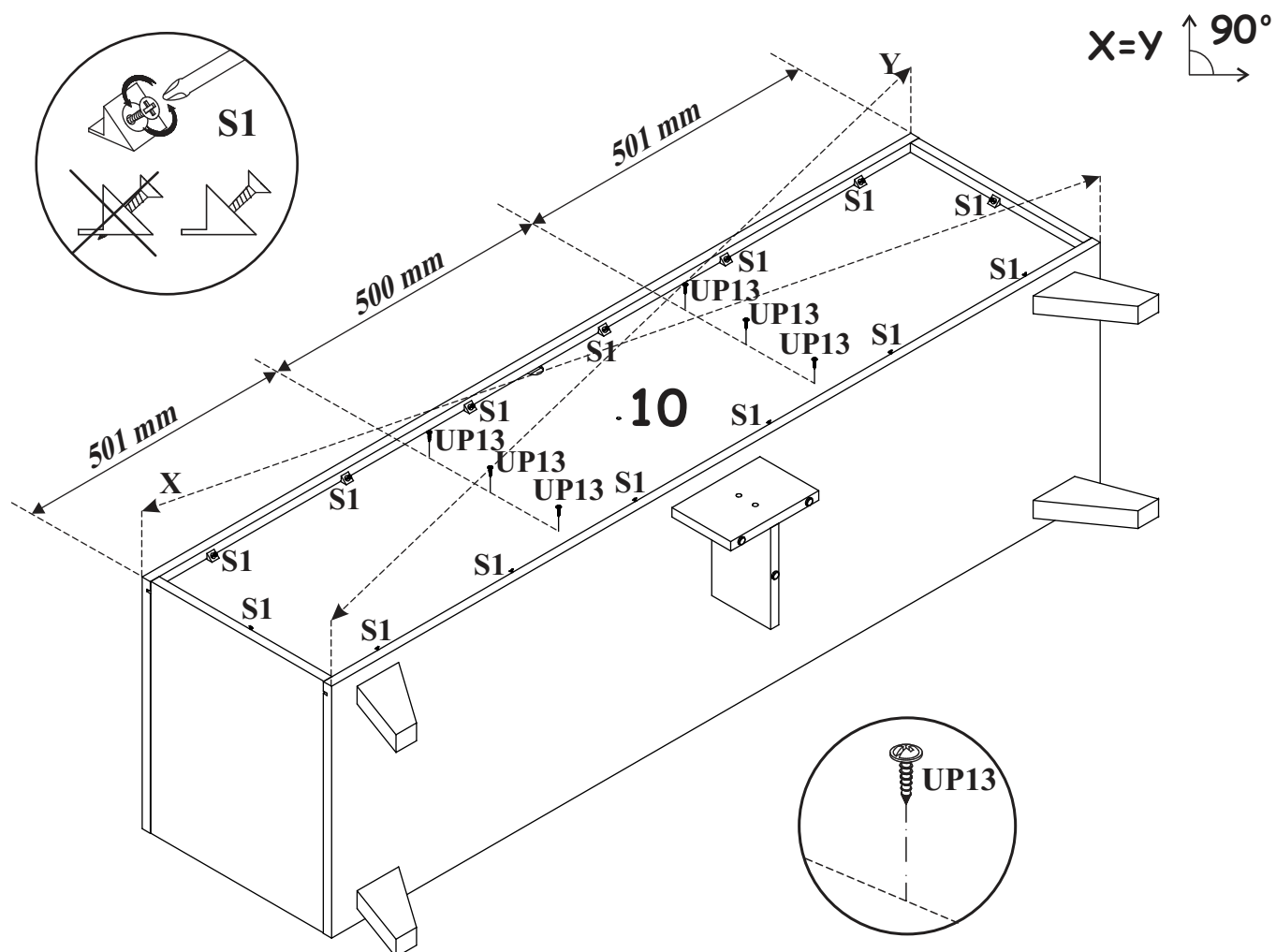
6



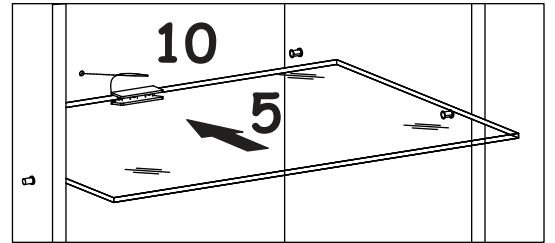
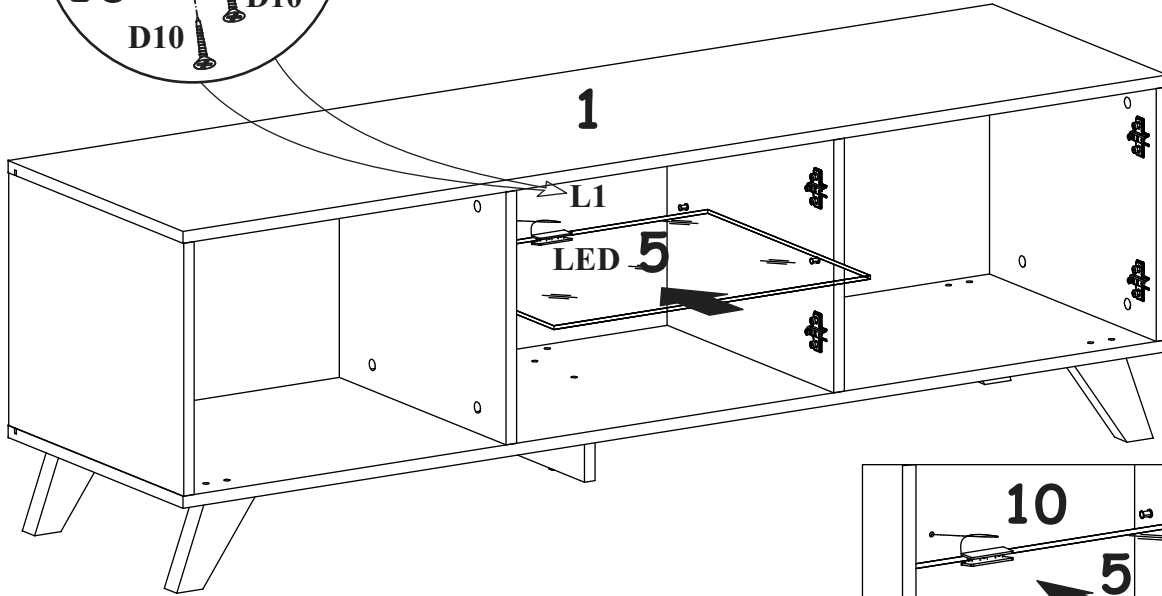
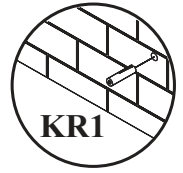
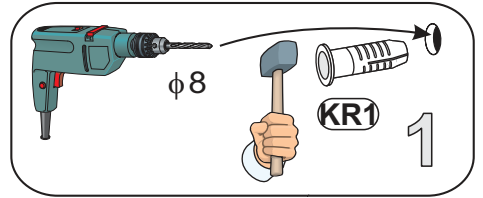
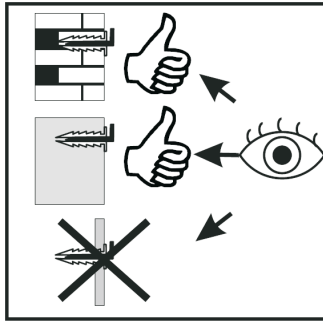
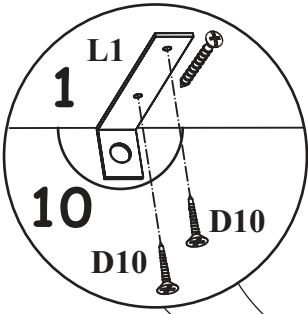
7



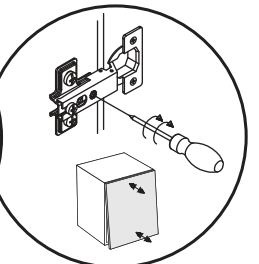
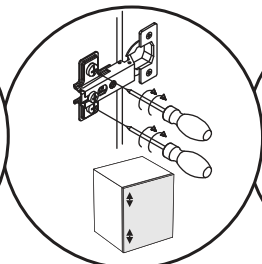
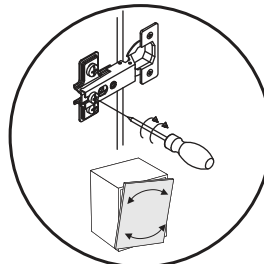
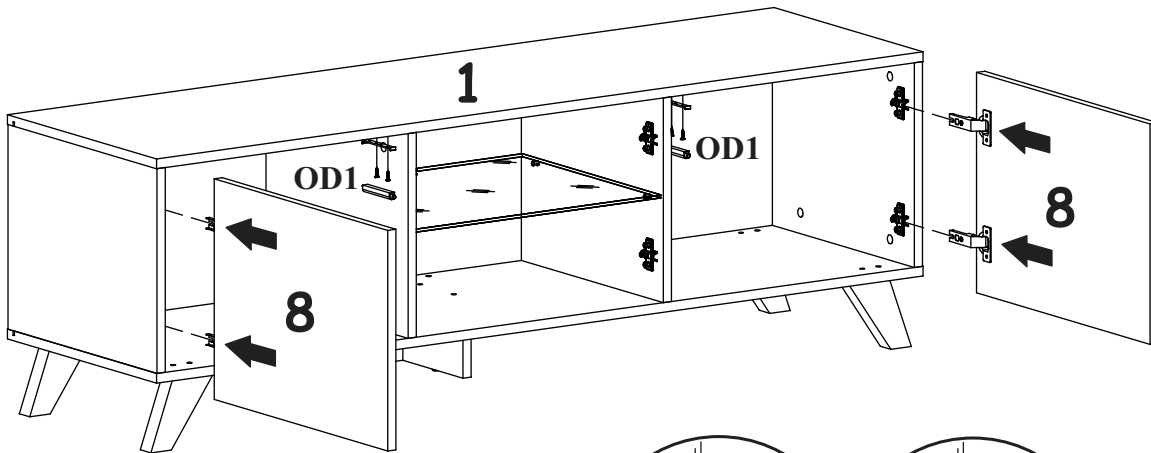
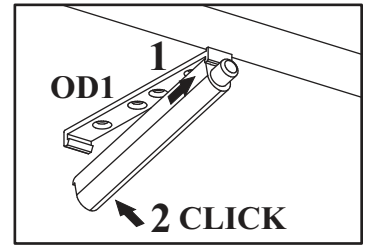
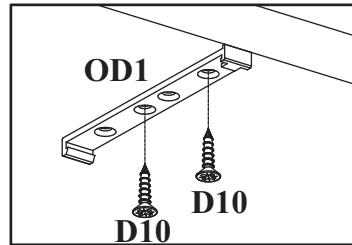
8



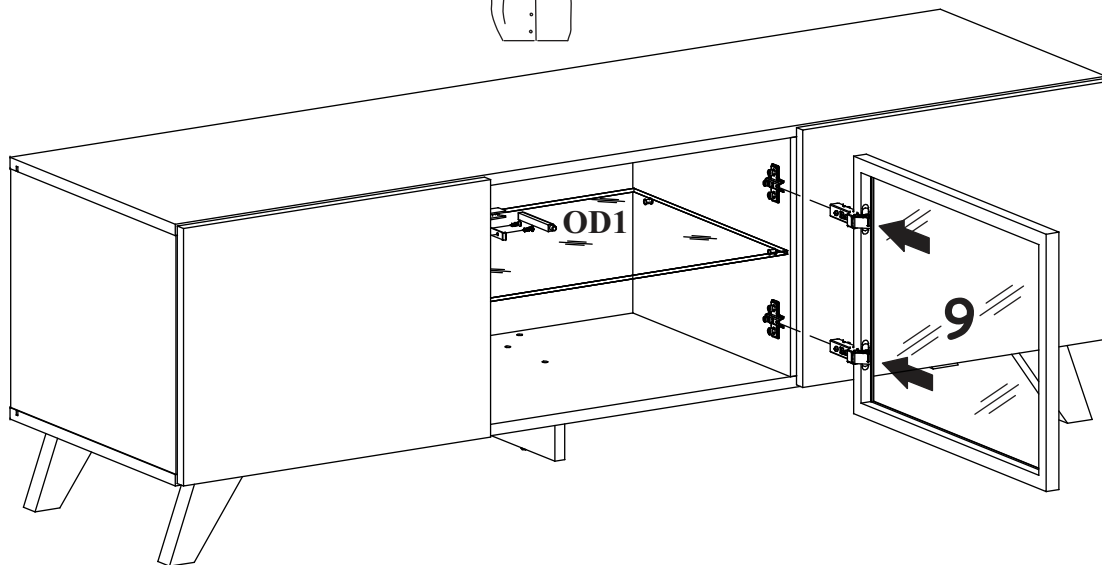
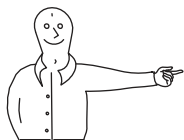
9



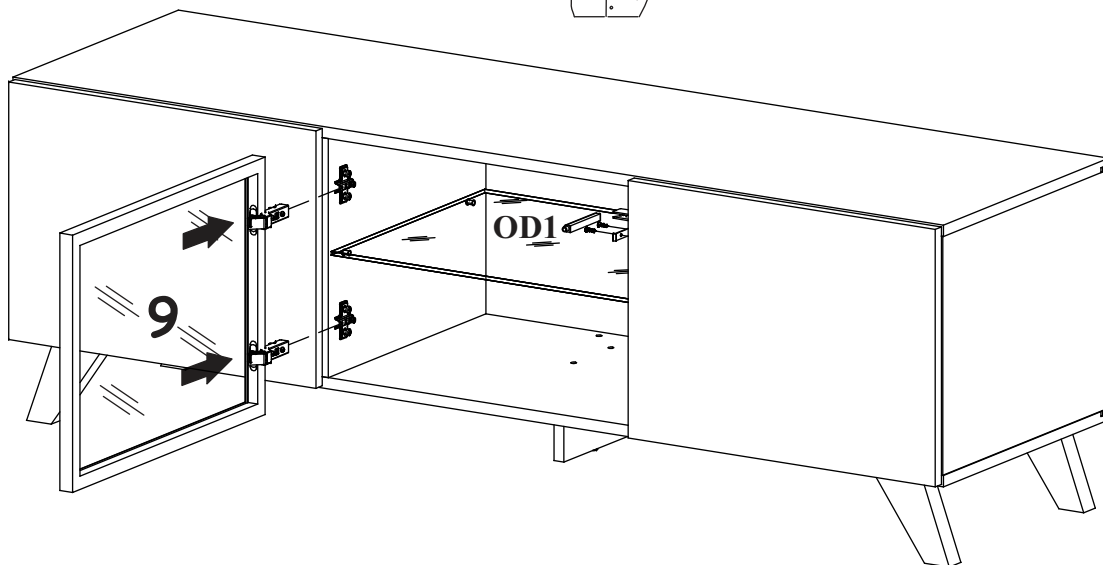
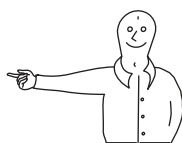
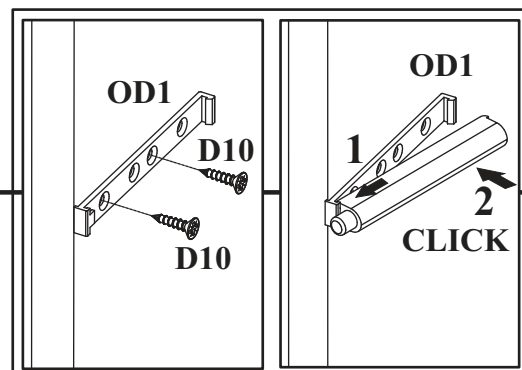
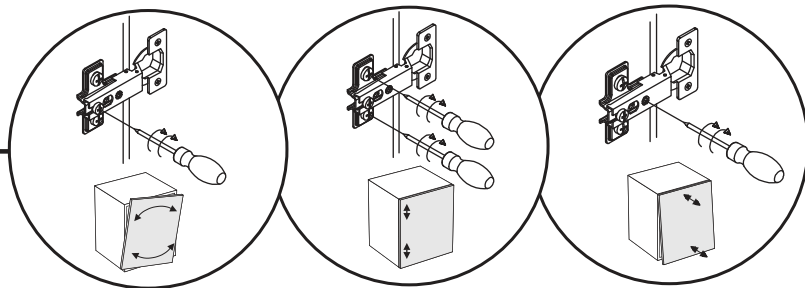
10



11

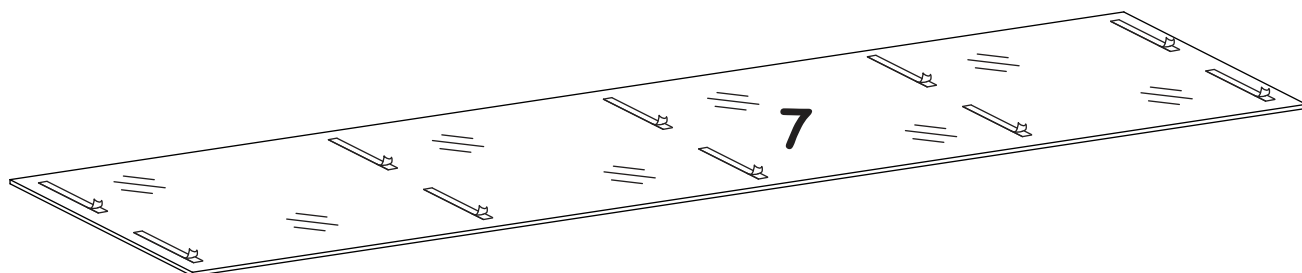
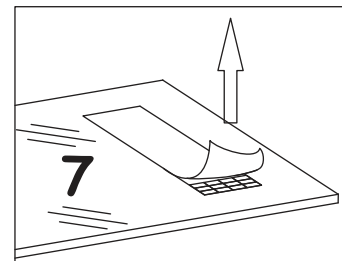


11

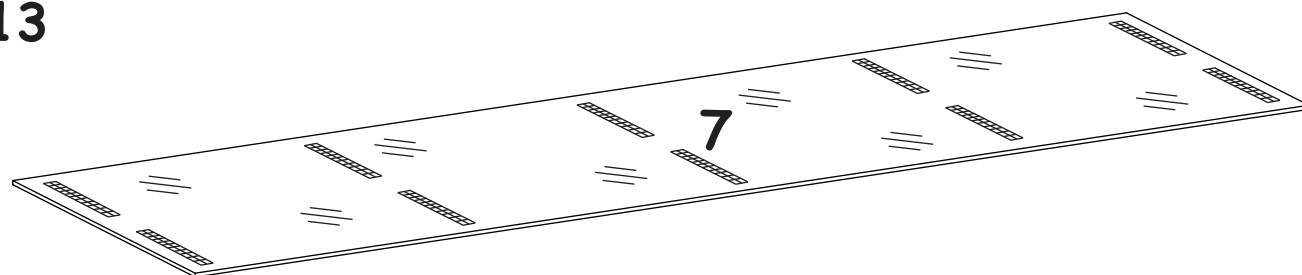




12



13



180°

