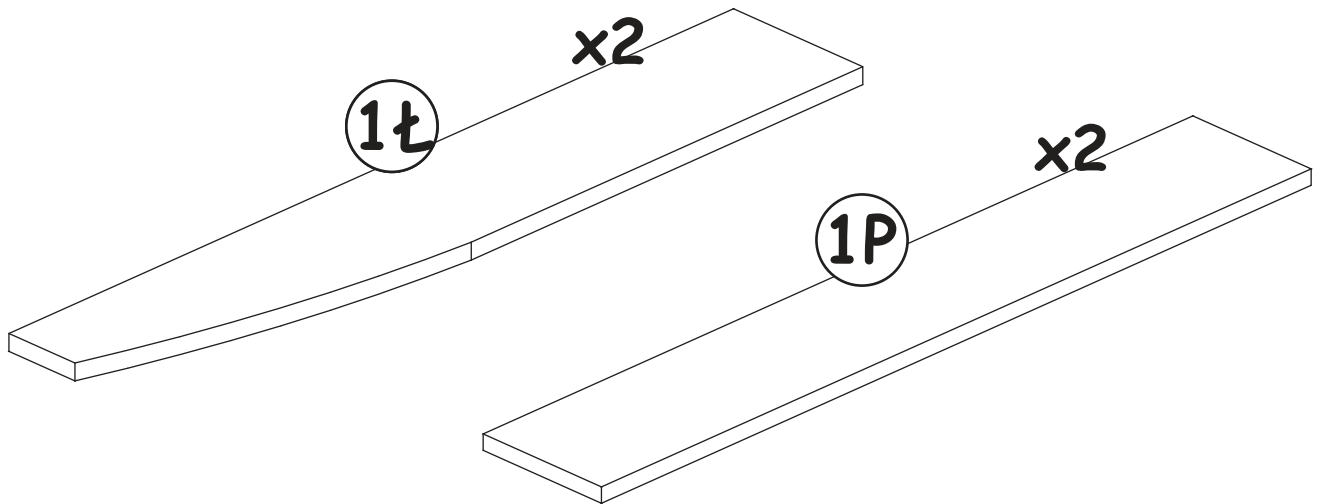
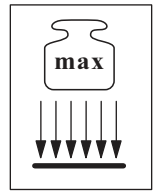
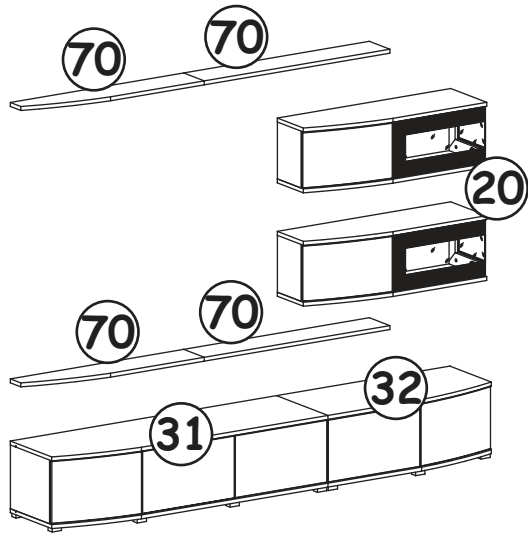
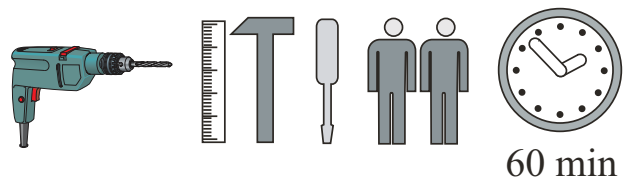
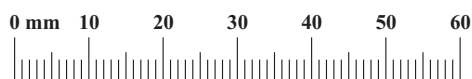
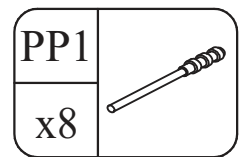


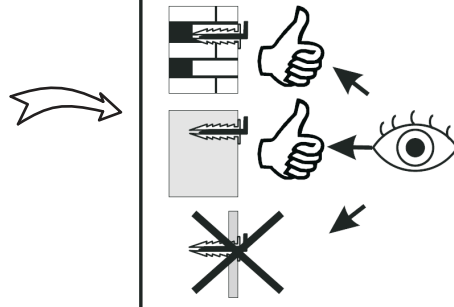
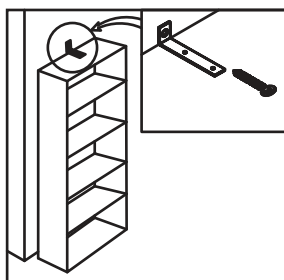
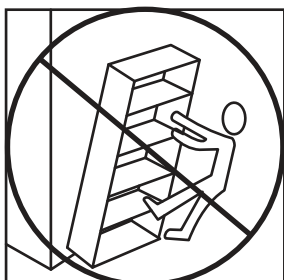
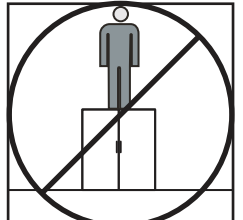
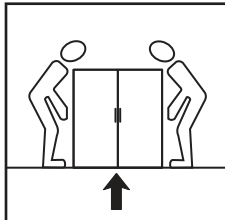
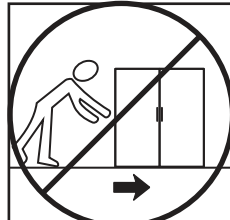
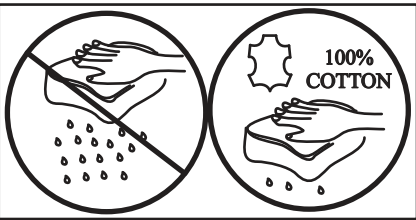
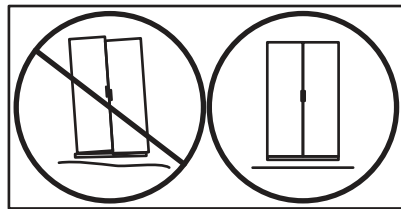
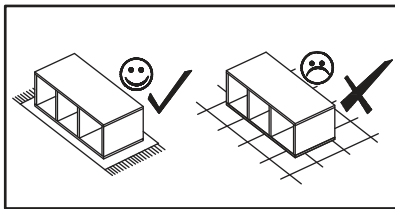
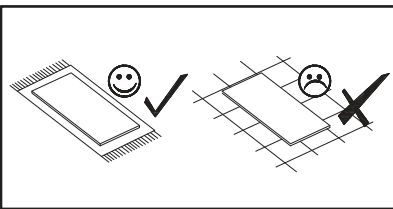
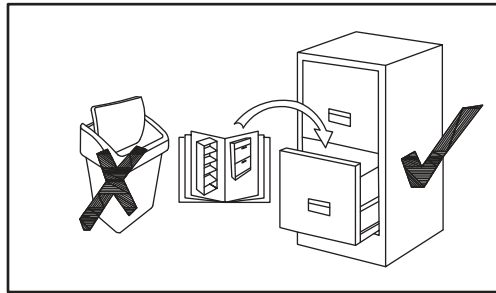
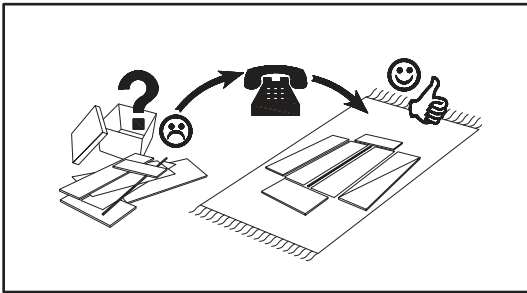
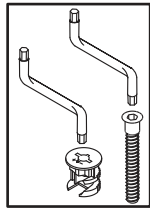
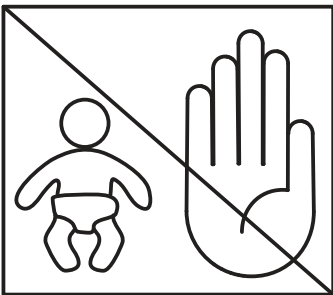
SONIC TYP-70



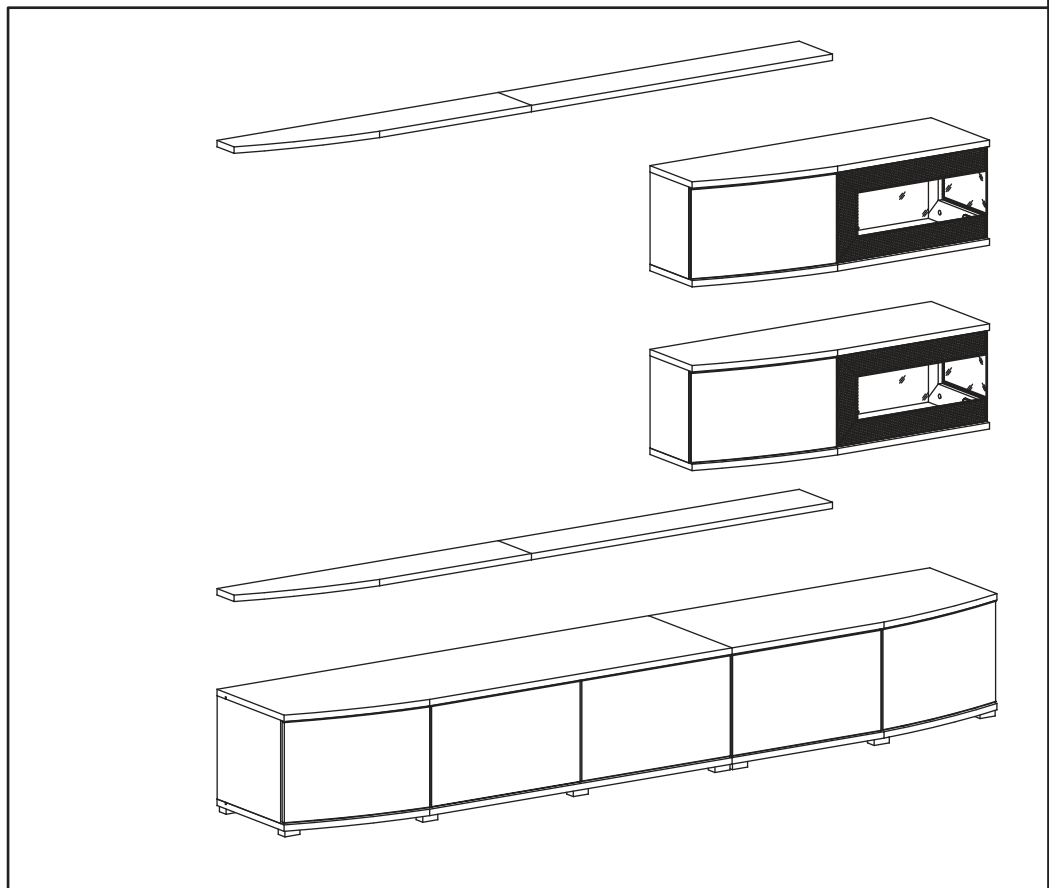
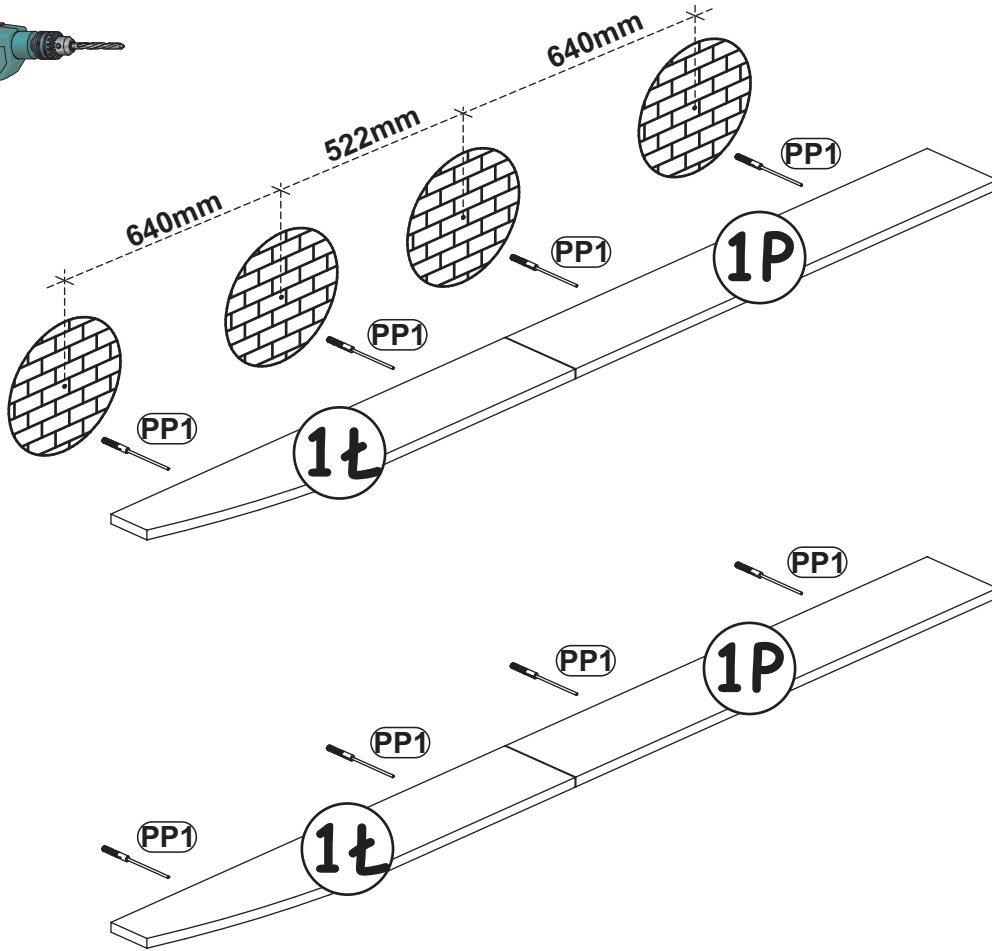
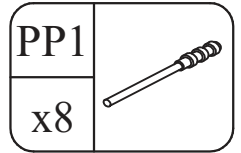
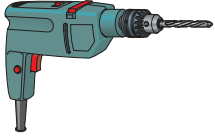
NO	Dim.[mm]		Col-No	Qty	
1L	1121	200	22	6/6	2
1P	1200	200	22	6/6	2



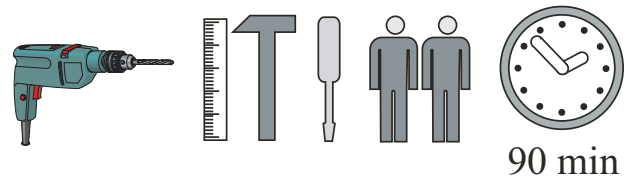
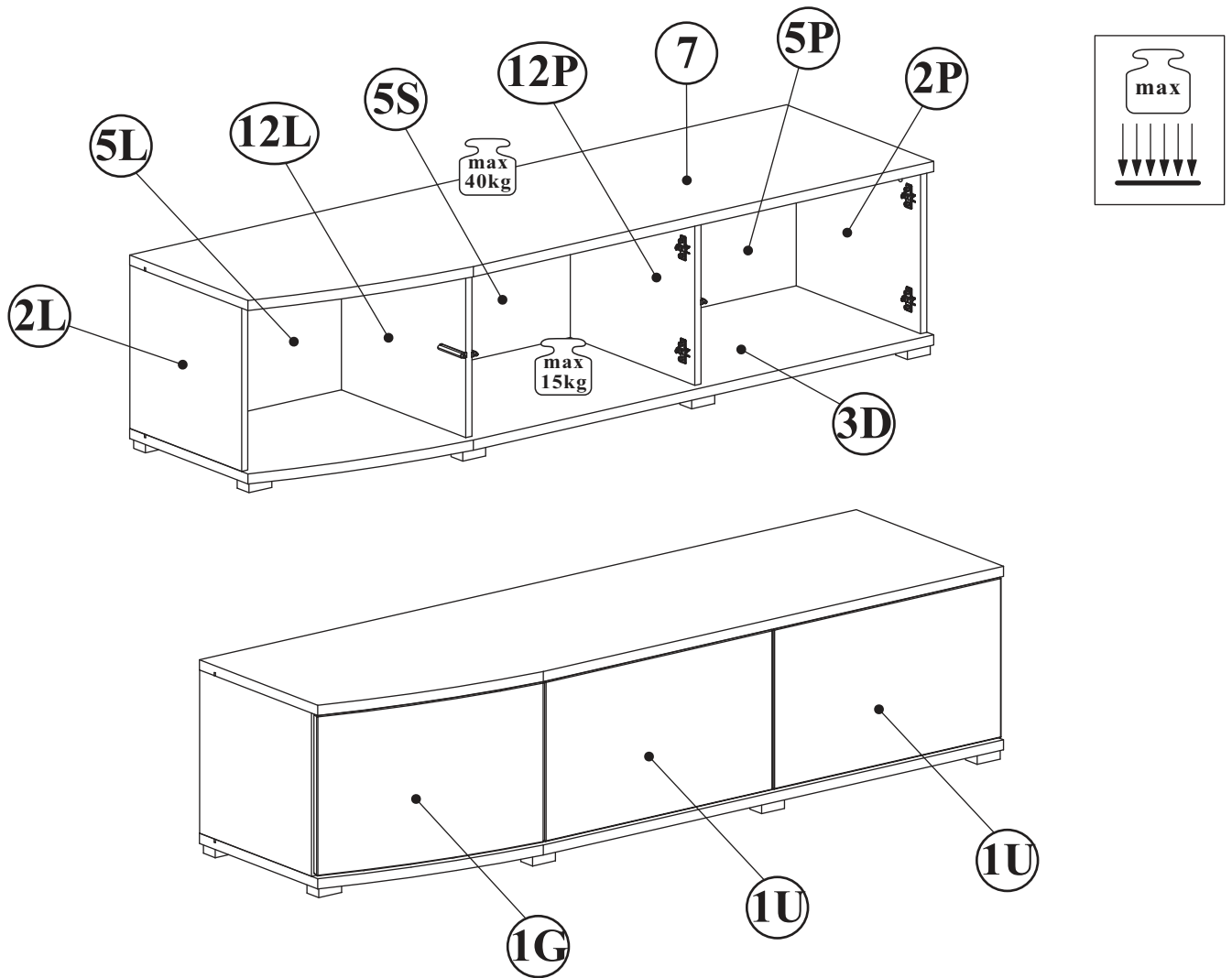
60 min



1

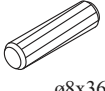
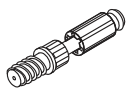


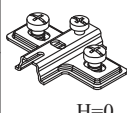
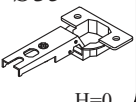
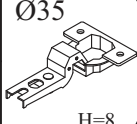
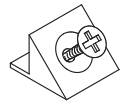

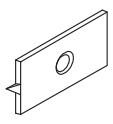



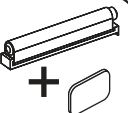
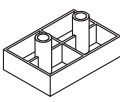
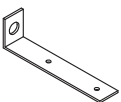




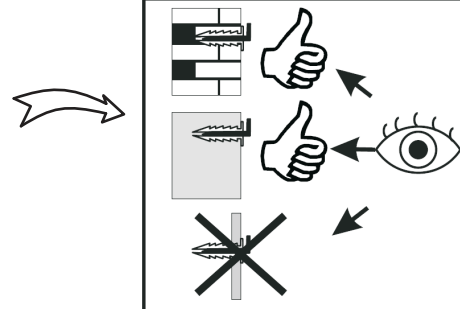
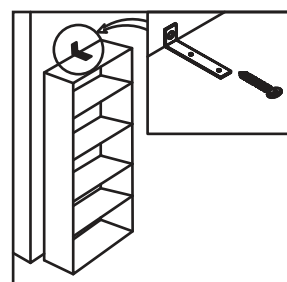
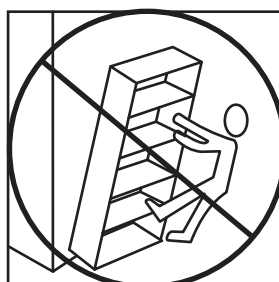
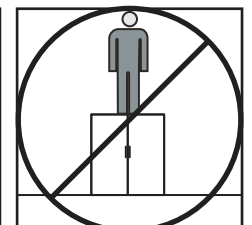
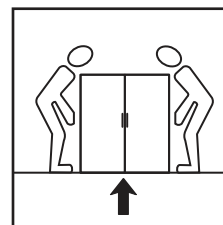
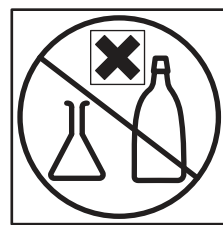
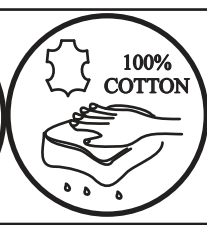
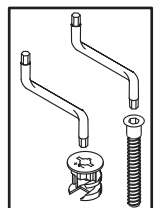
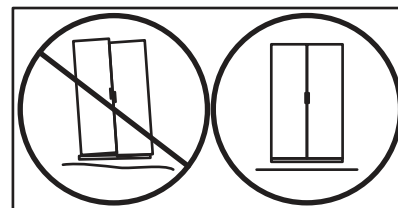
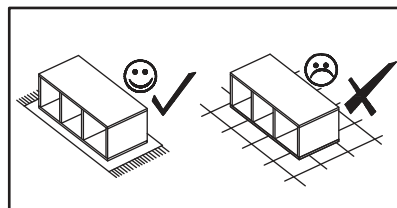
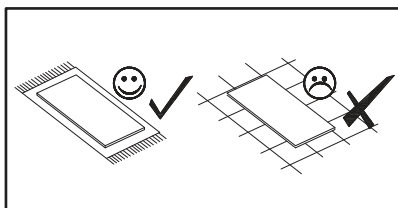
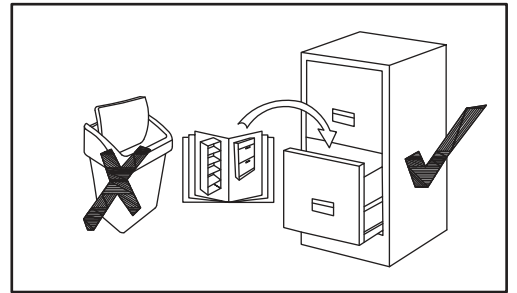
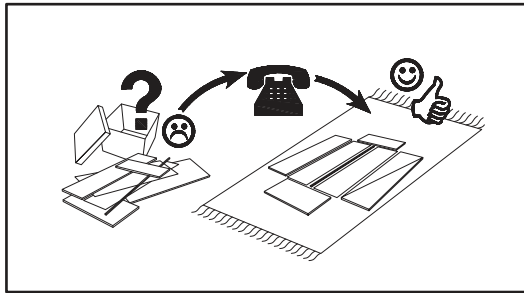
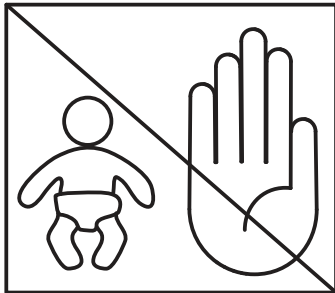
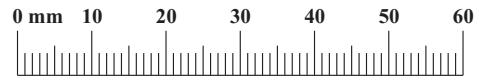
SONIC TYP-31



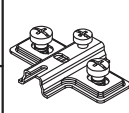
NO	Dim.[mm]			Col.-No	Qty
1G	523	348	18	1/6	1
1U	596	348	19	1/6	2
2L	355	380	16	2/6	1
2P	355	477	16	2/6	1
12L	355	423	16	2/6	1
12P	355	423	16	2/6	1
3D	1721	500	22	2/6	1
5L	367	510	3	1/6	1
5S	367	600	3	1/6	1
5P	367	590	3	2/6	1
7	1721	500	22	1/6	1

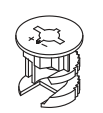
SONIC TYP-31

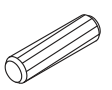
A1 x16  ø8x36	B4 x8 	B5 x8  ø15x12	G5 x8 	E2 x6  H=0	E21 x4  Ø35 H=0
E23 x2  Ø35 H=8	S1 x14 	UP13 x4  UPØ3x16	G16 x4 	B11 x8  Ø7x50	G4 x8 
D10 x20  USØ3,5x13	T2 x3  + 20x14	ST6 x8 	L1 x1 	KR1 x1 	G2 x1 

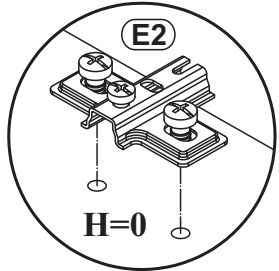
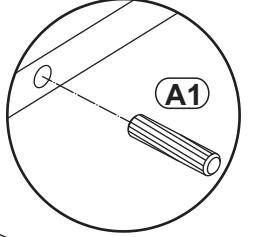
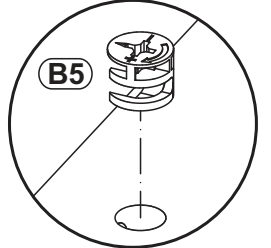
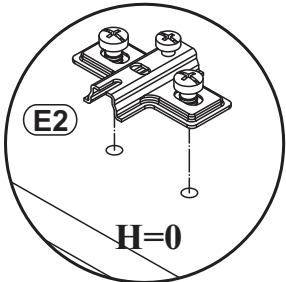
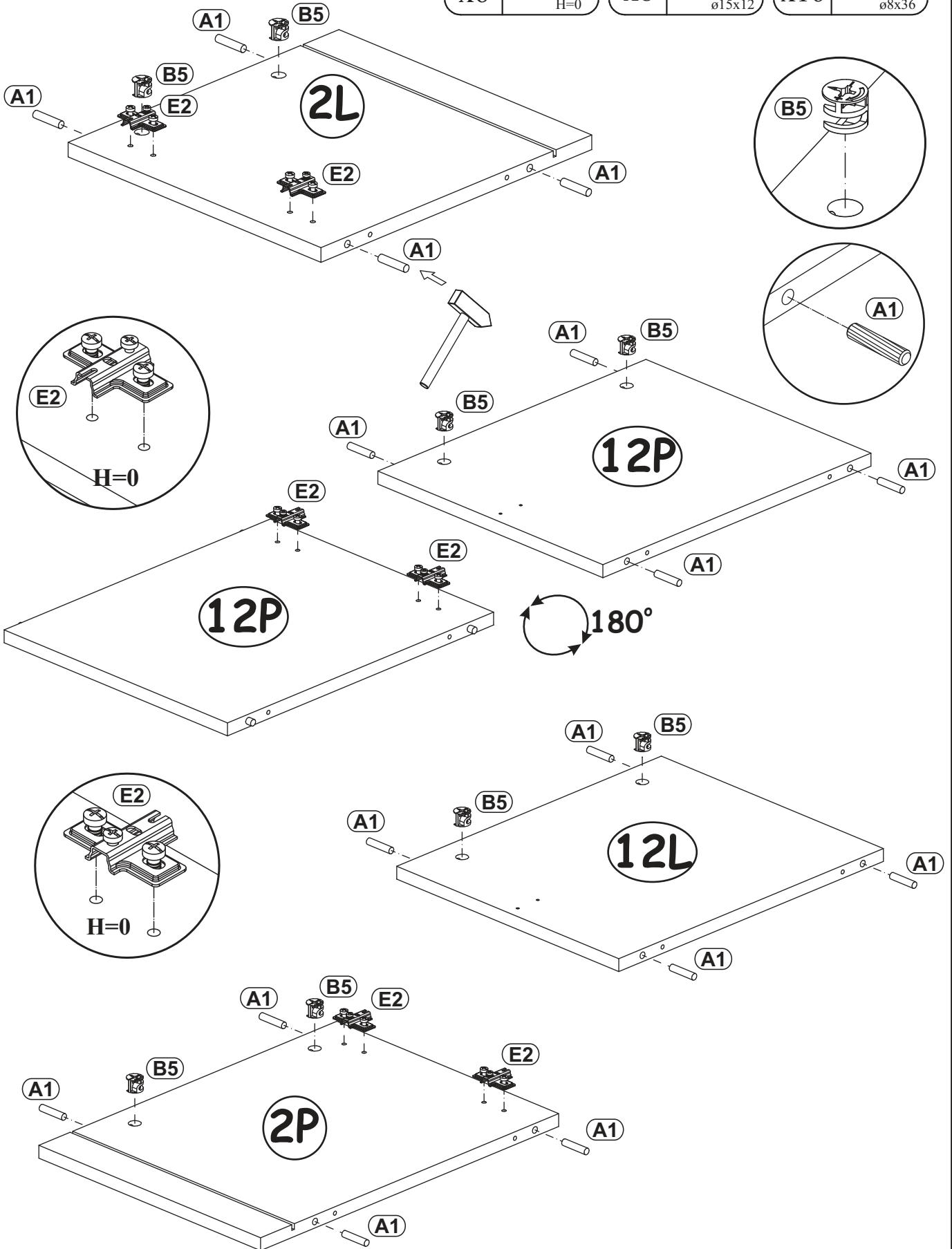


1

E2	
x6	H=0

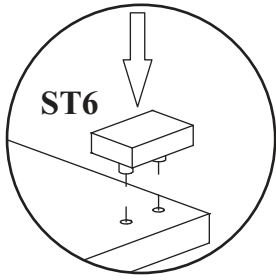
B5	
x8	ø15x12

A1	
x16	ø8x36



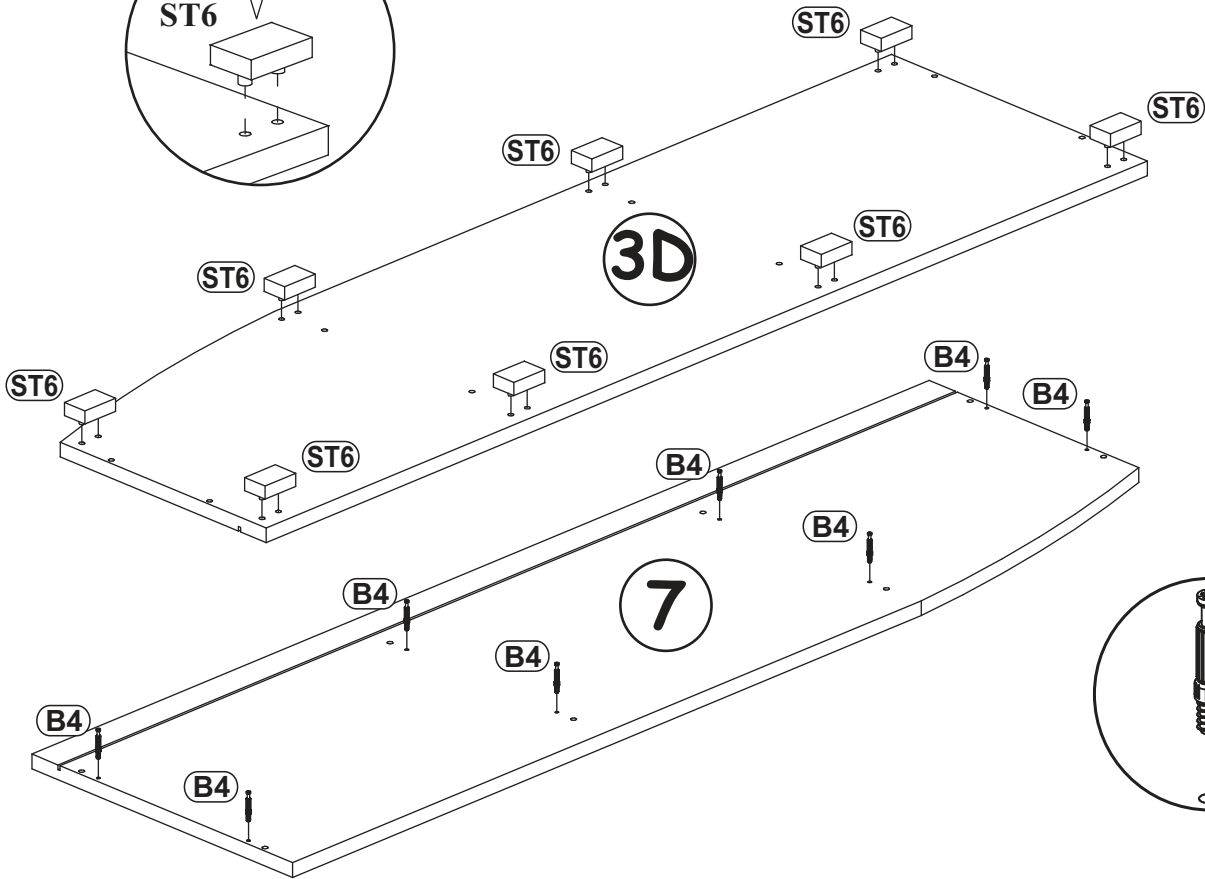
SONIC TYP-31

2

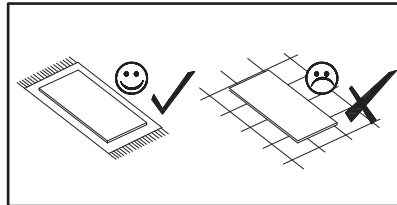
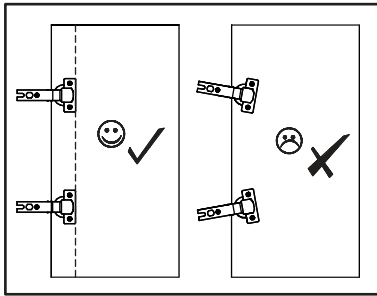


ST6	
x8	

B4	
x8	

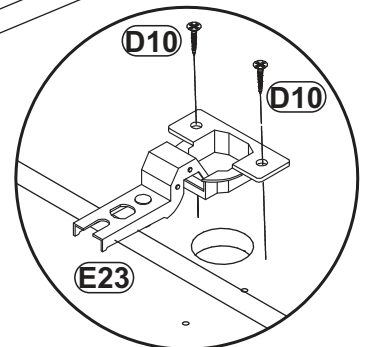
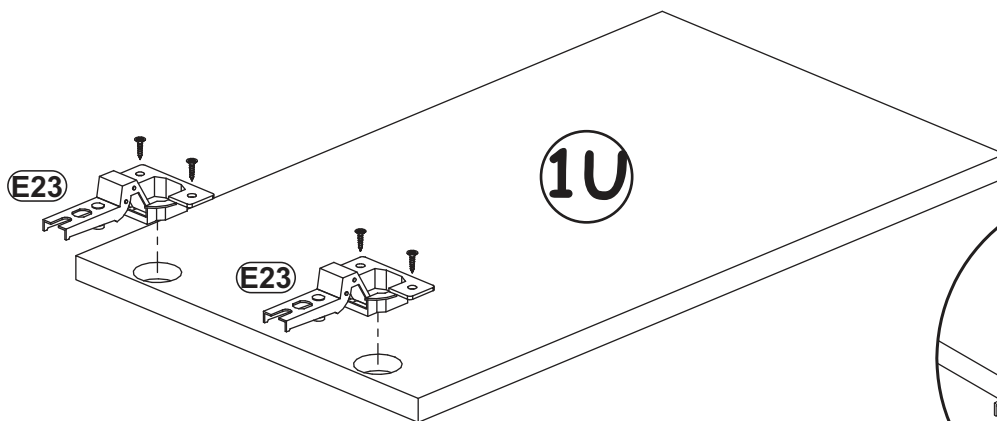


3



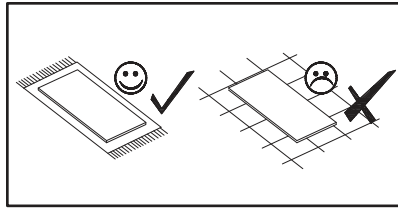
E23	Ø35
x2	
	H=8


D10	
x4	USØ3,5x13

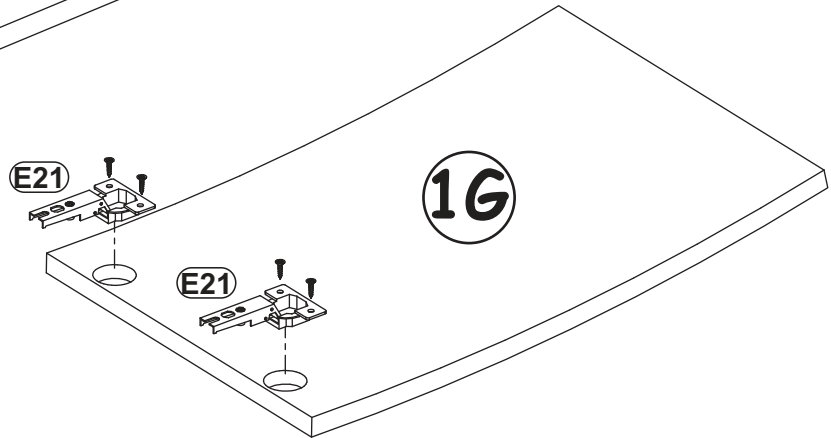
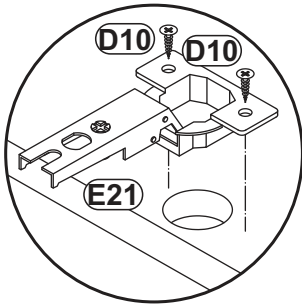
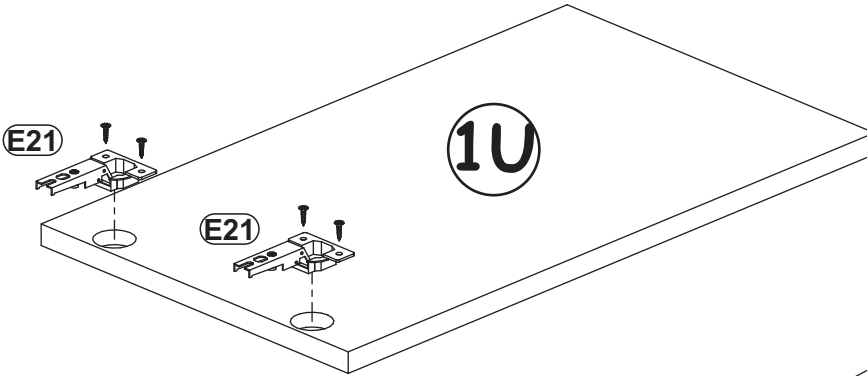
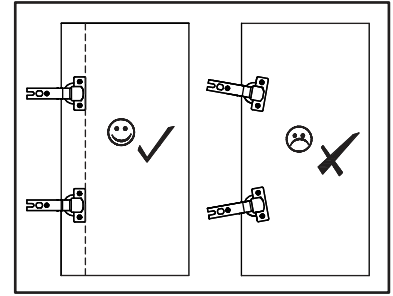


SONIC TYP-31

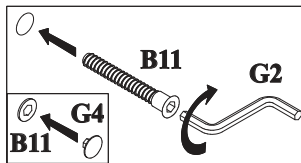
4





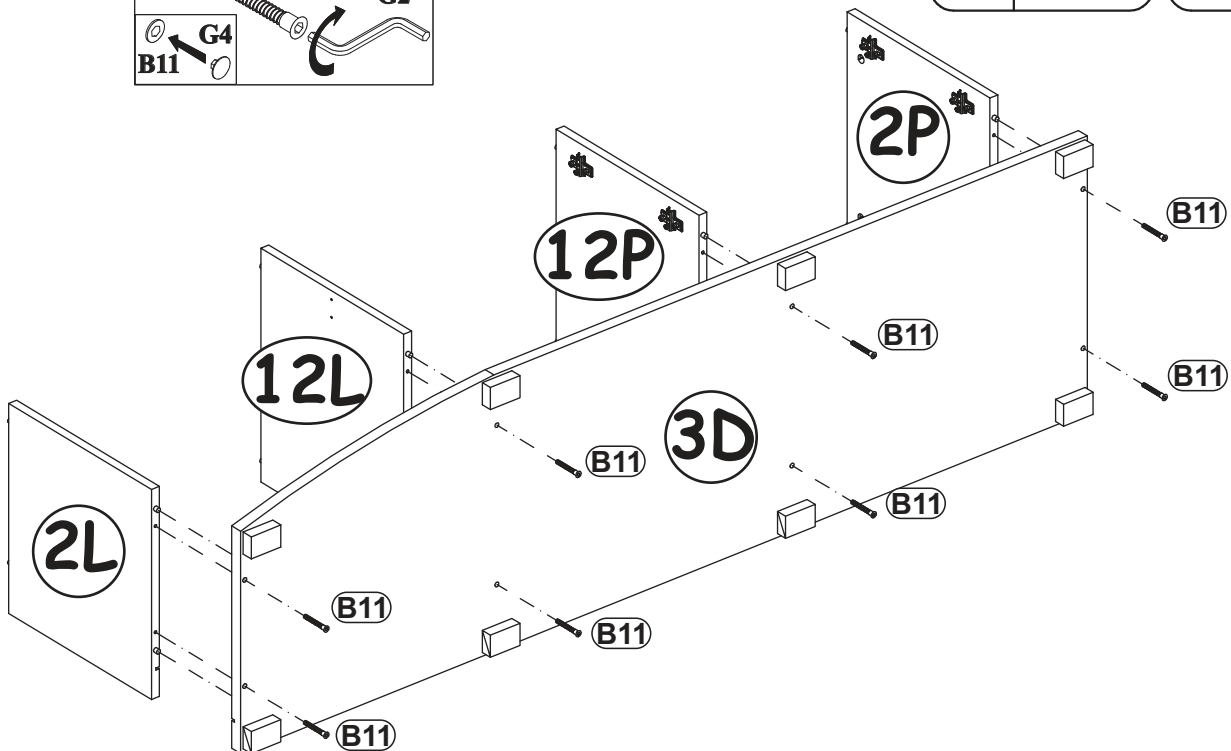
E21	Ø35	D10	 USØ3,5x13
x4	H=0	x8	



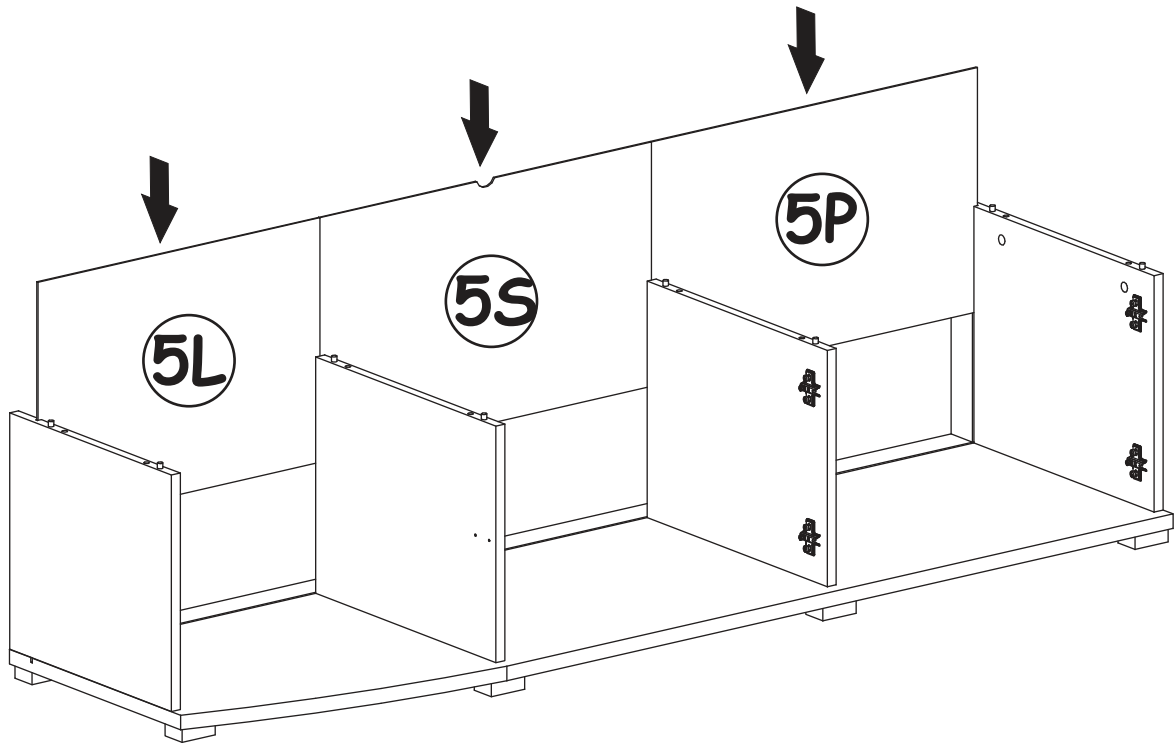
5



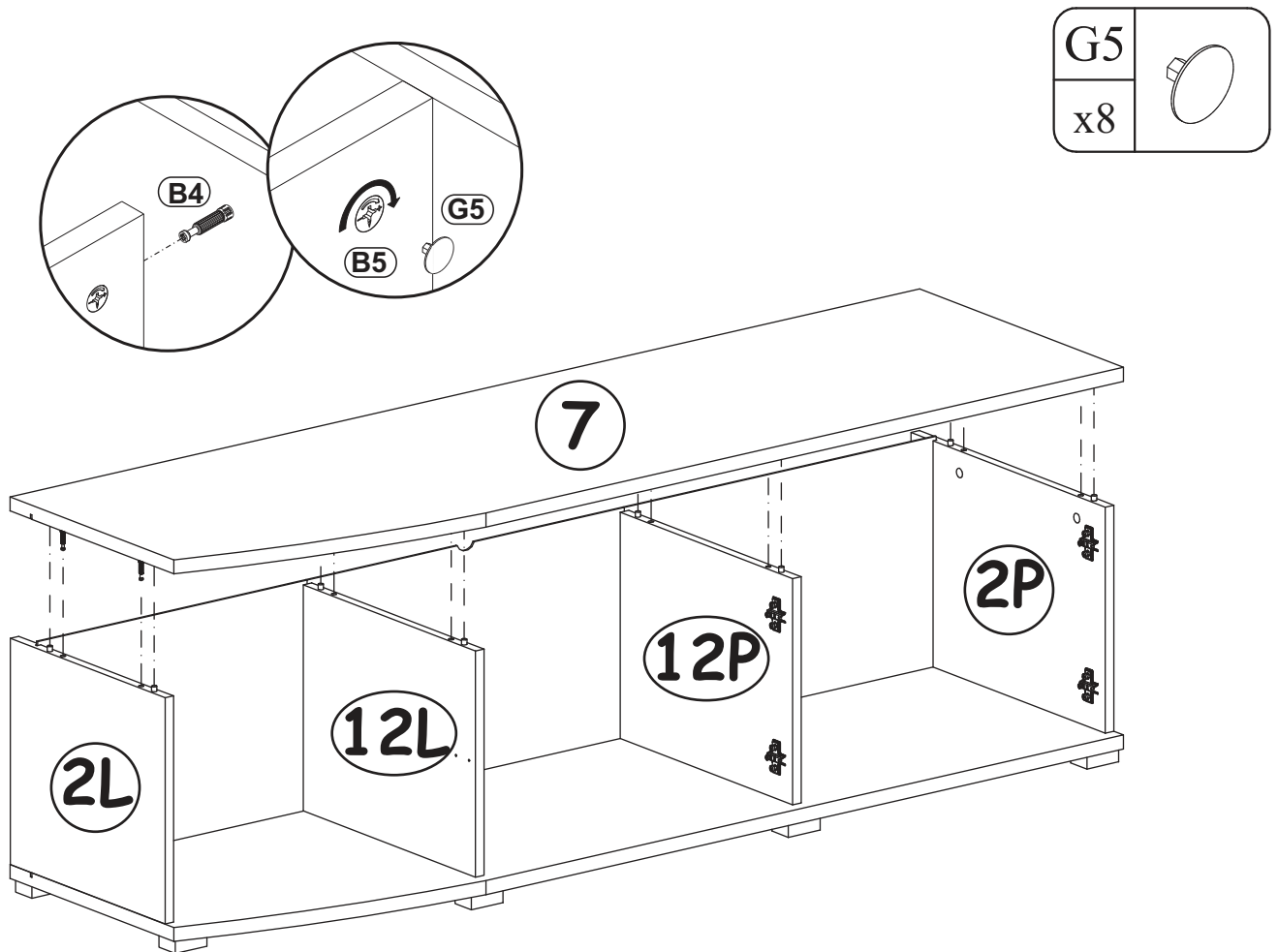
B11	 Ø7x50	G4	
x8		x8	



6

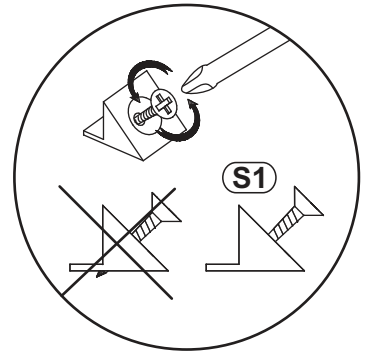
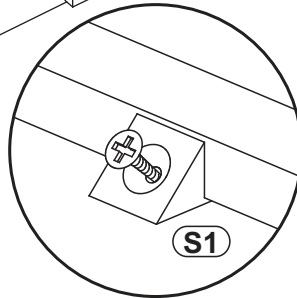
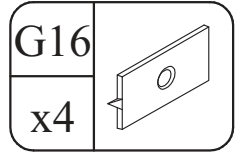
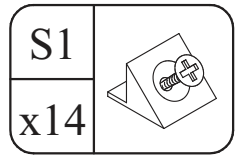
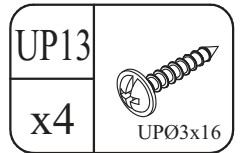
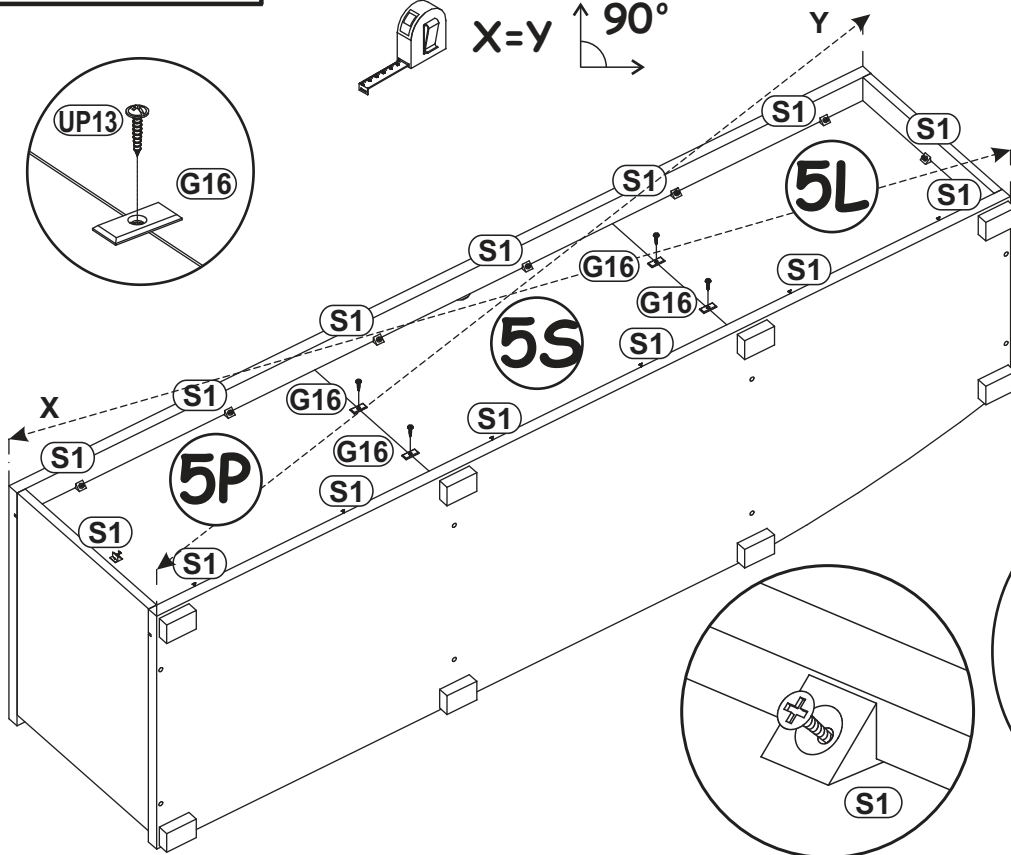
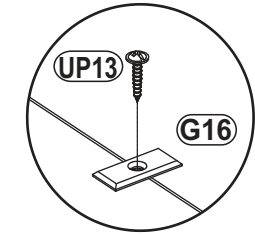


7

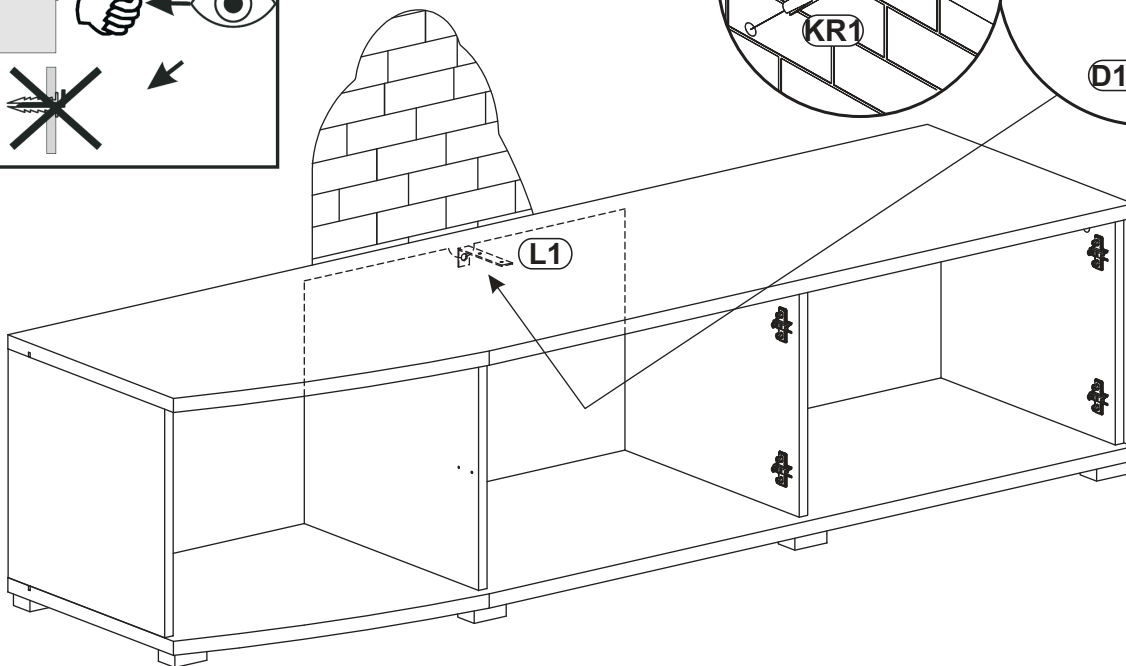
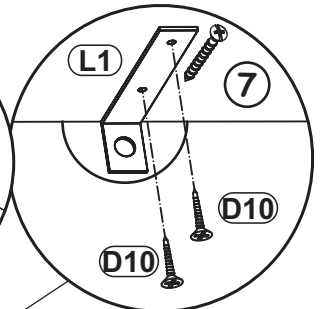
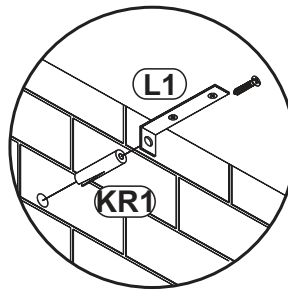
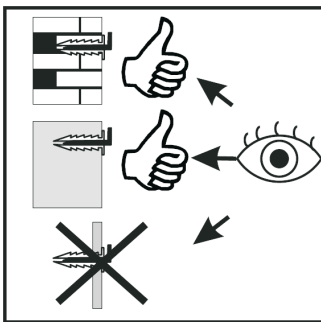
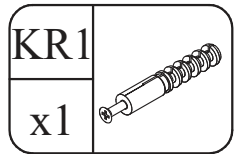
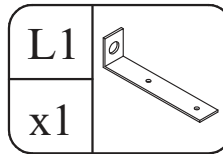
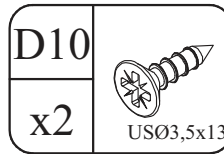
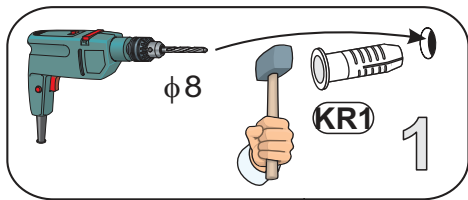





SONIC TYP-31

8

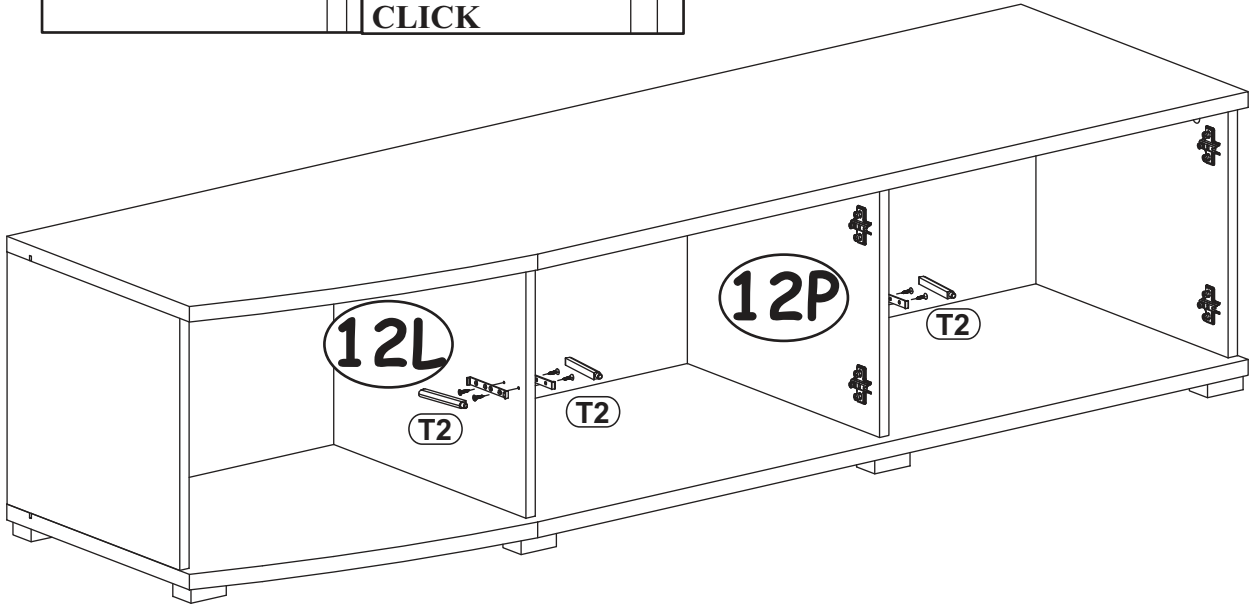
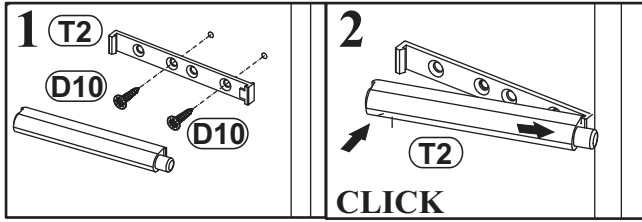


9

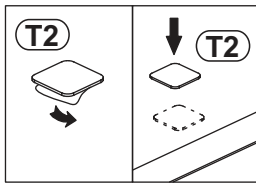



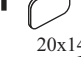
D10		T2	
x6	USØ3,5x13	x3	+ 
20x14			

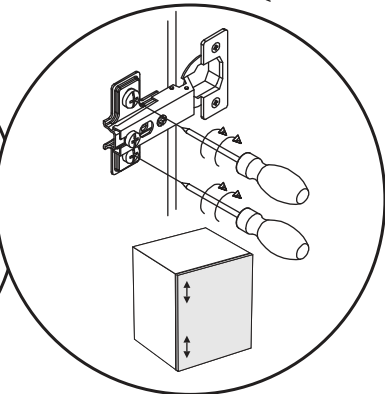
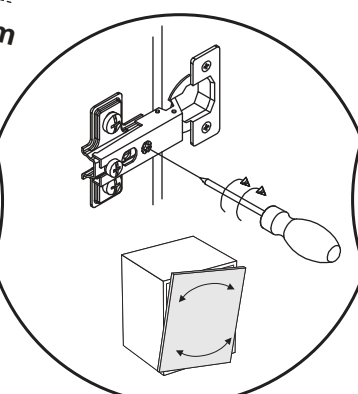
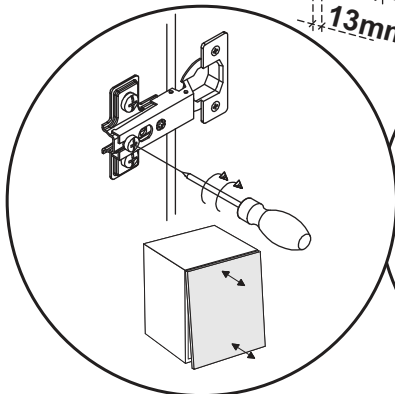
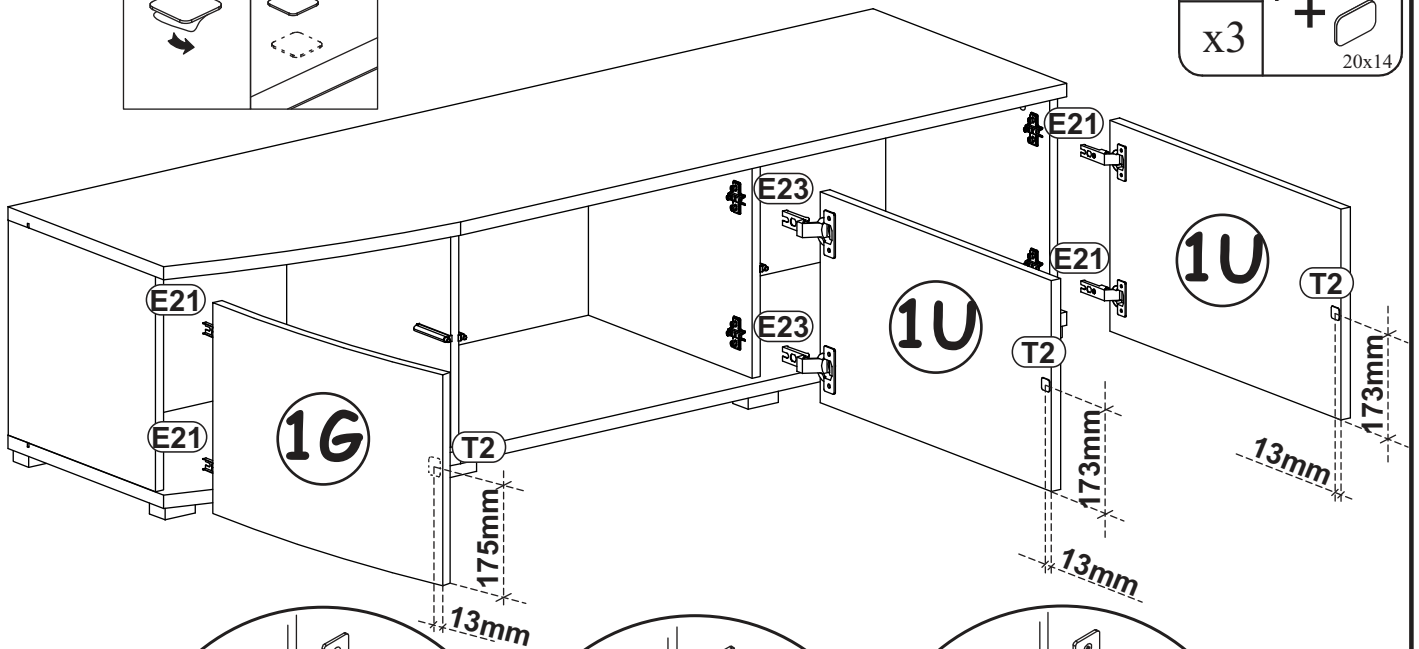
10



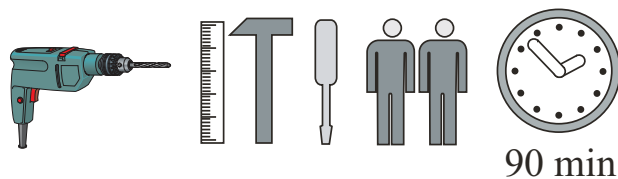
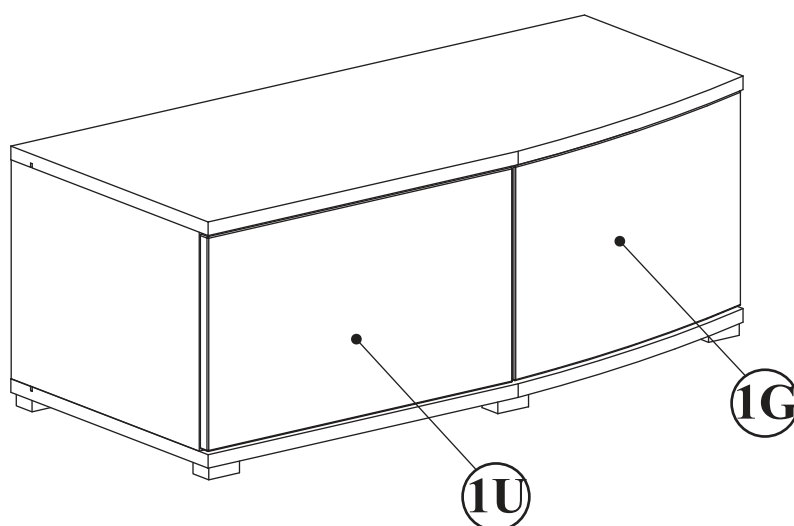
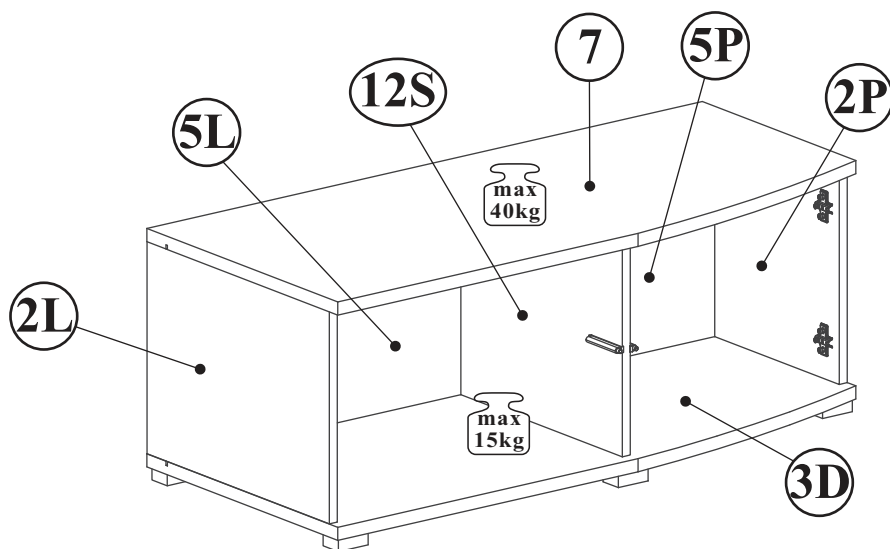
11



T2	
x3	+ 
20x14	

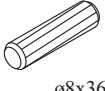
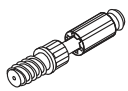


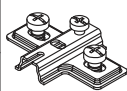
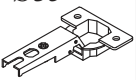

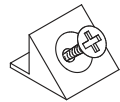

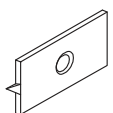
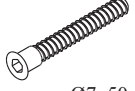


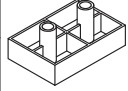
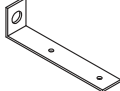
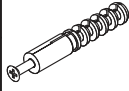



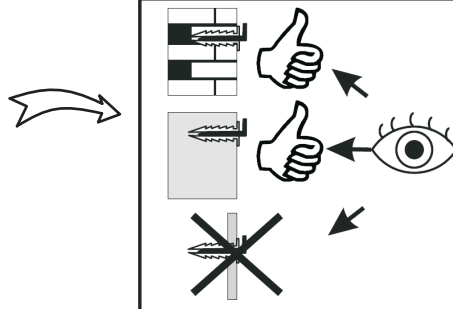
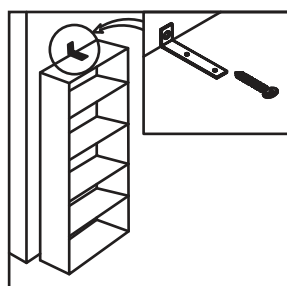
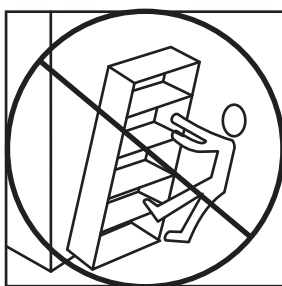
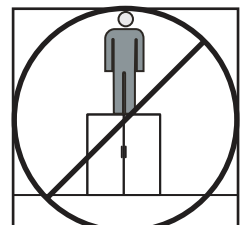
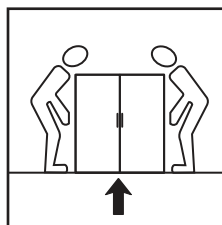
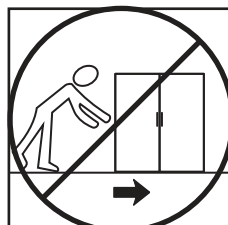
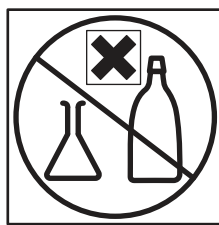
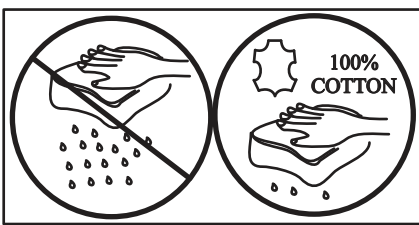
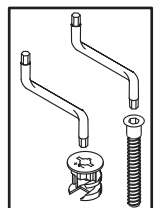
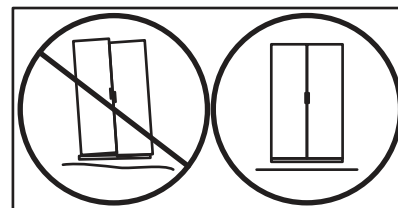
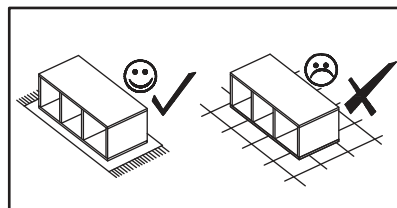
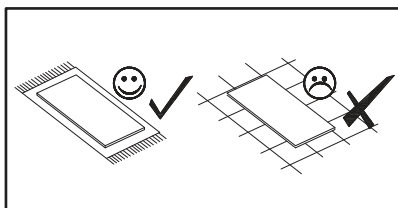
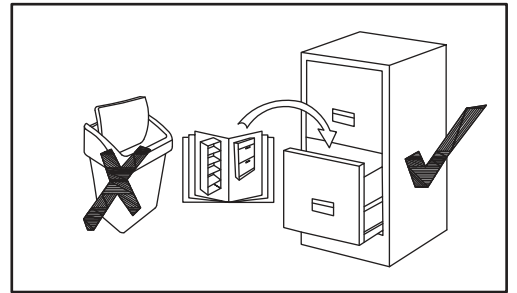
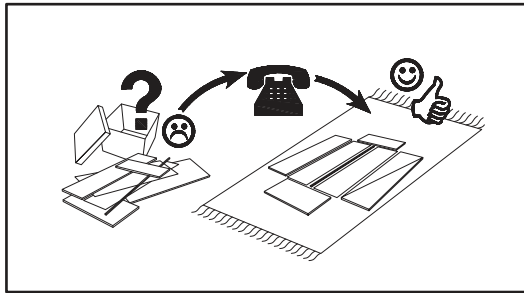
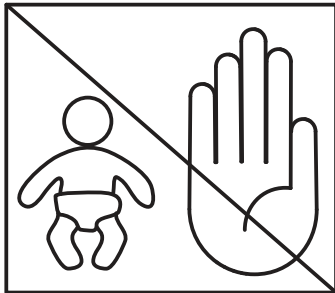
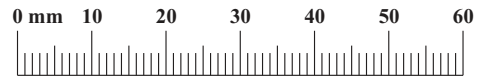
SONIC TYP-32



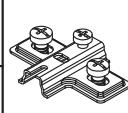
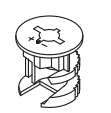
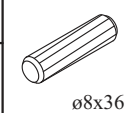
NO	Dim.[mm]			Col.-No	Qty
1G	523	348	18	3/6	1
1U	596	348	19	3/6	1
2L	355	477	16	3/6	1
2P	355	380	16	3/6	1
12S	355	423	16	3/6	1
3D	1121	500	22	3/6	1
5L	367	590	3	3/6	1
5P	367	510	3	3/6	1
7	1121	500	22	3/6	1

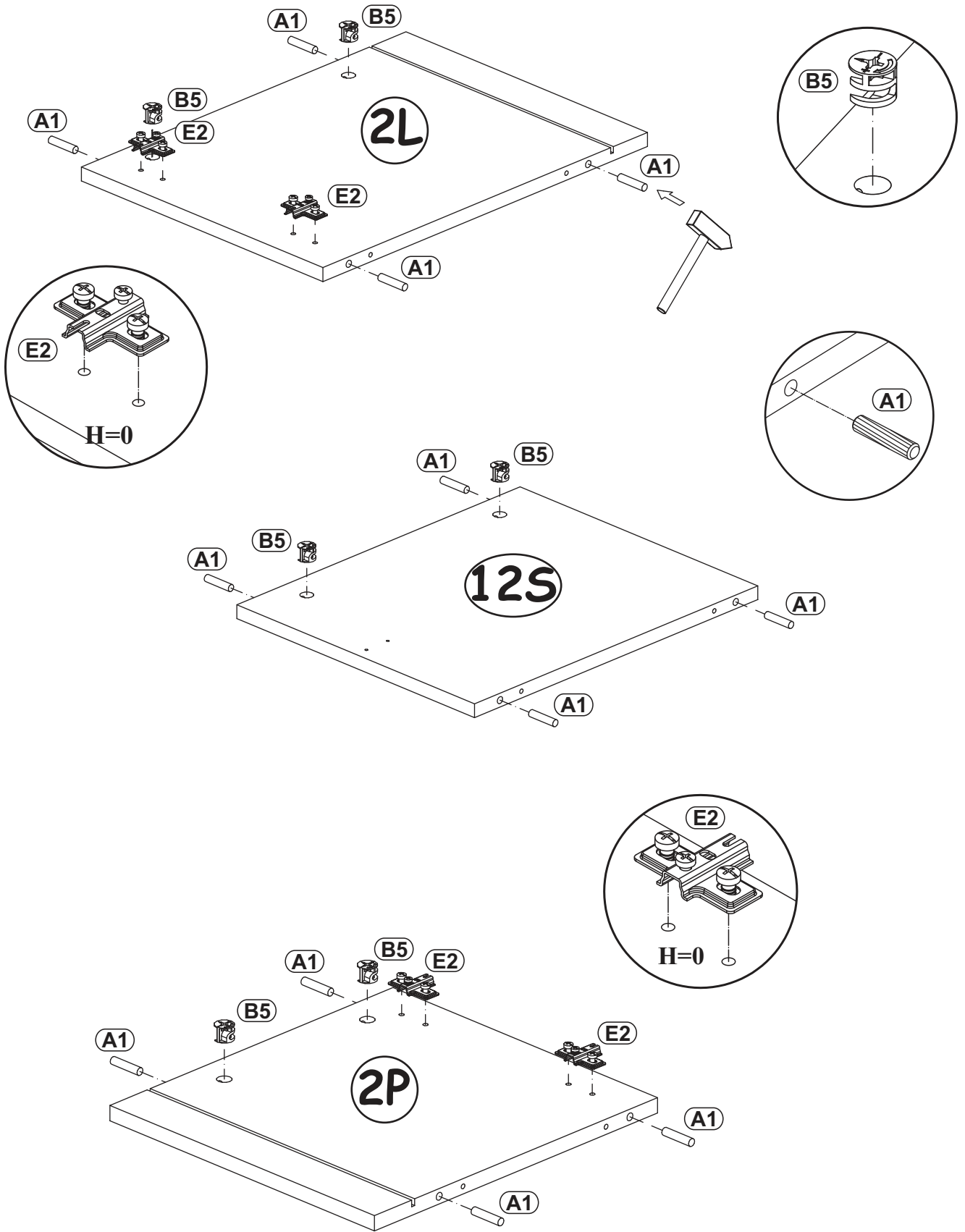
SONIC TYP-32

A1 x12  ø8x36	B4 x6 	B5 x6  ø15x12	G5 x6 	E2 x4  H=0	E21 x4  Ø35 H=0
T2 x2  20x14	S1 x10 	UP13 x2  UPØ3x16	G16 x2 	B11 x6  Ø7x50	G4 x6 
D10 x14  USØ3,5x13	ST6 x6 	L1 x1 	KR1 x1 	G2 x1 	



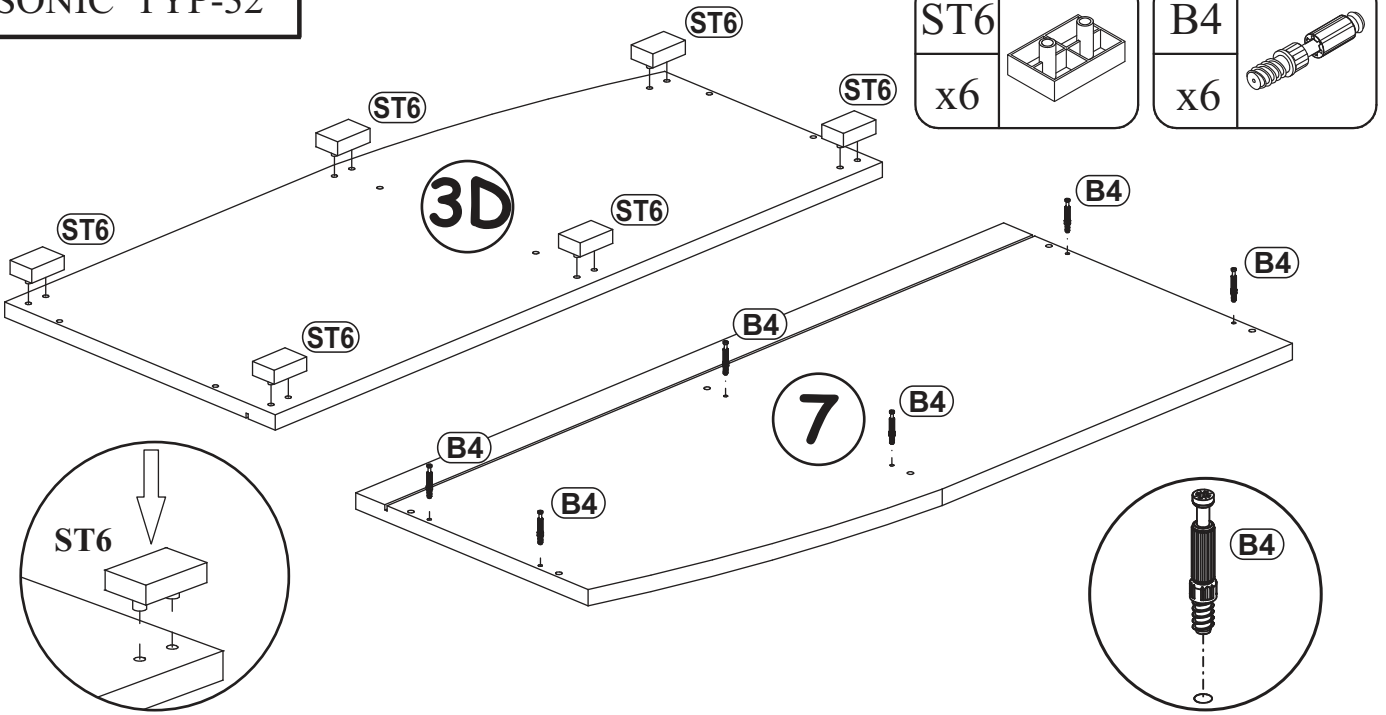
1

E2		B5		A1	
x4	H=0	x6	ø15x12	x12	ø8x36

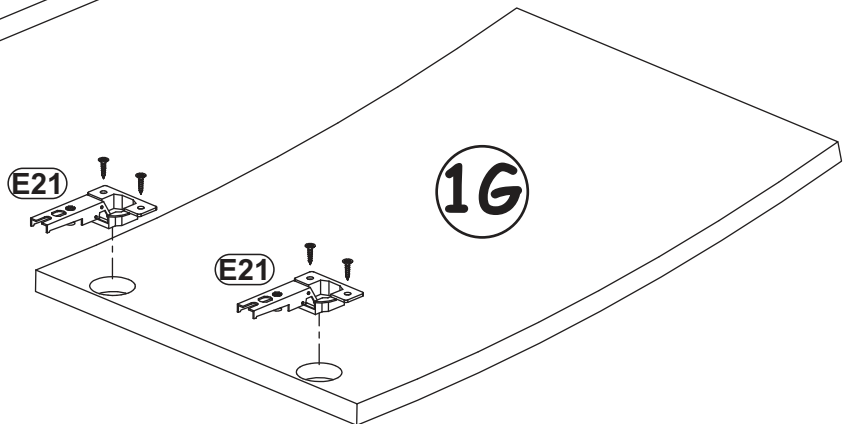
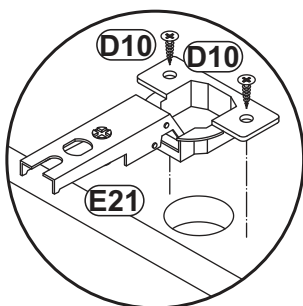
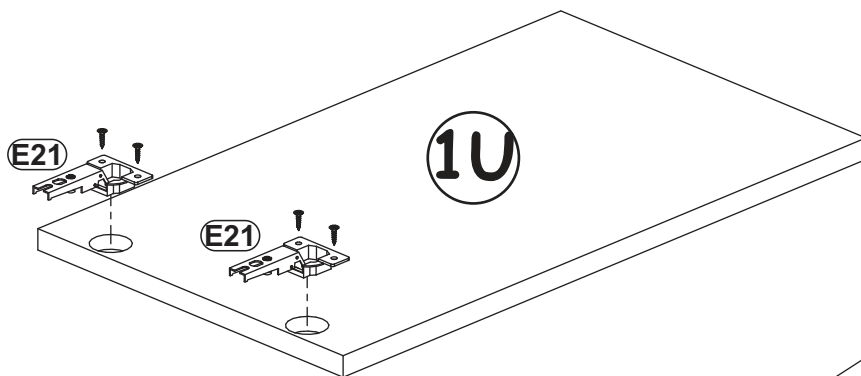
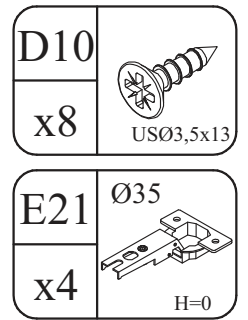
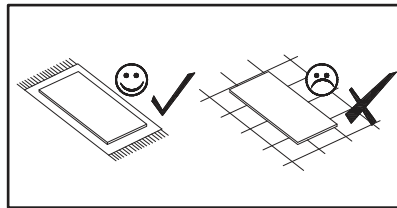
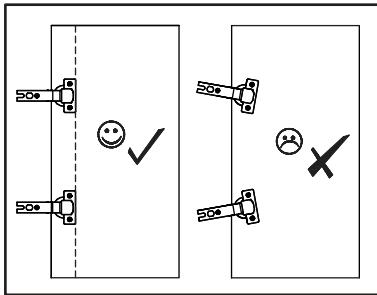


SONIC TYP-32

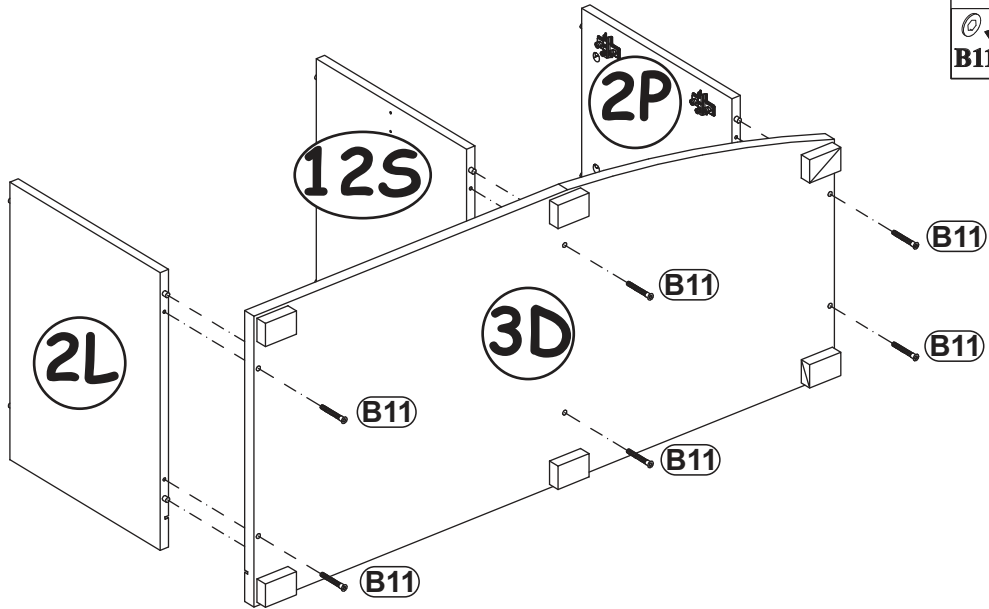
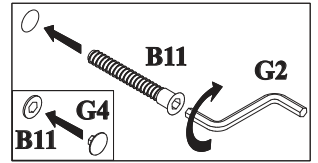
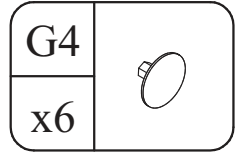
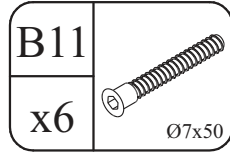
2



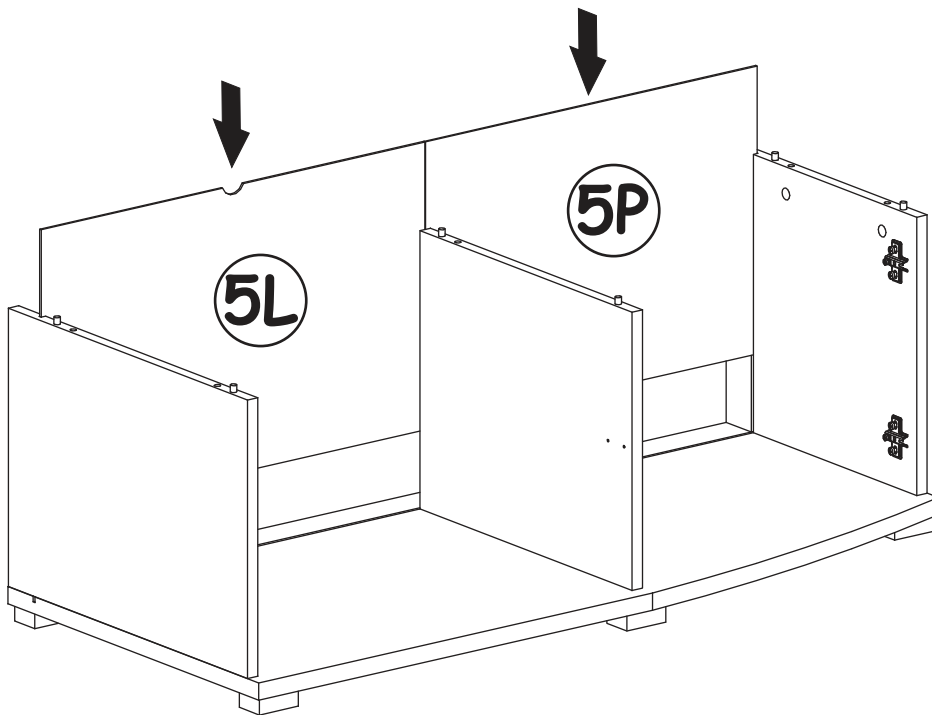
3



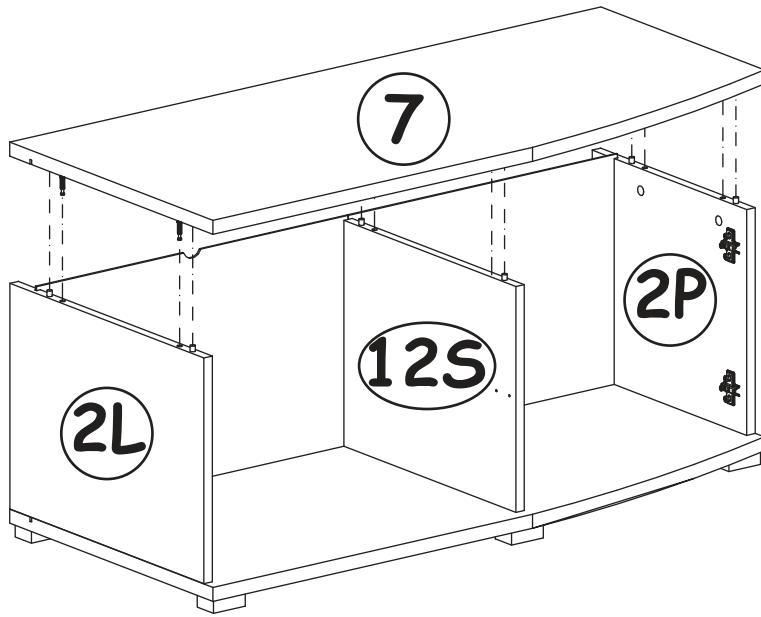
4



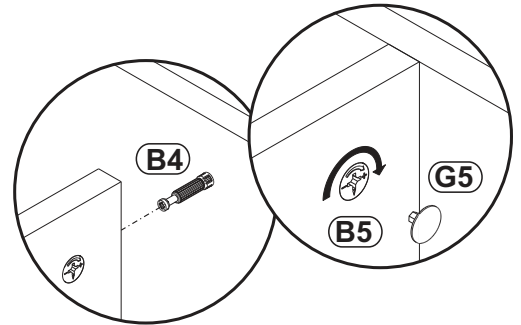
5



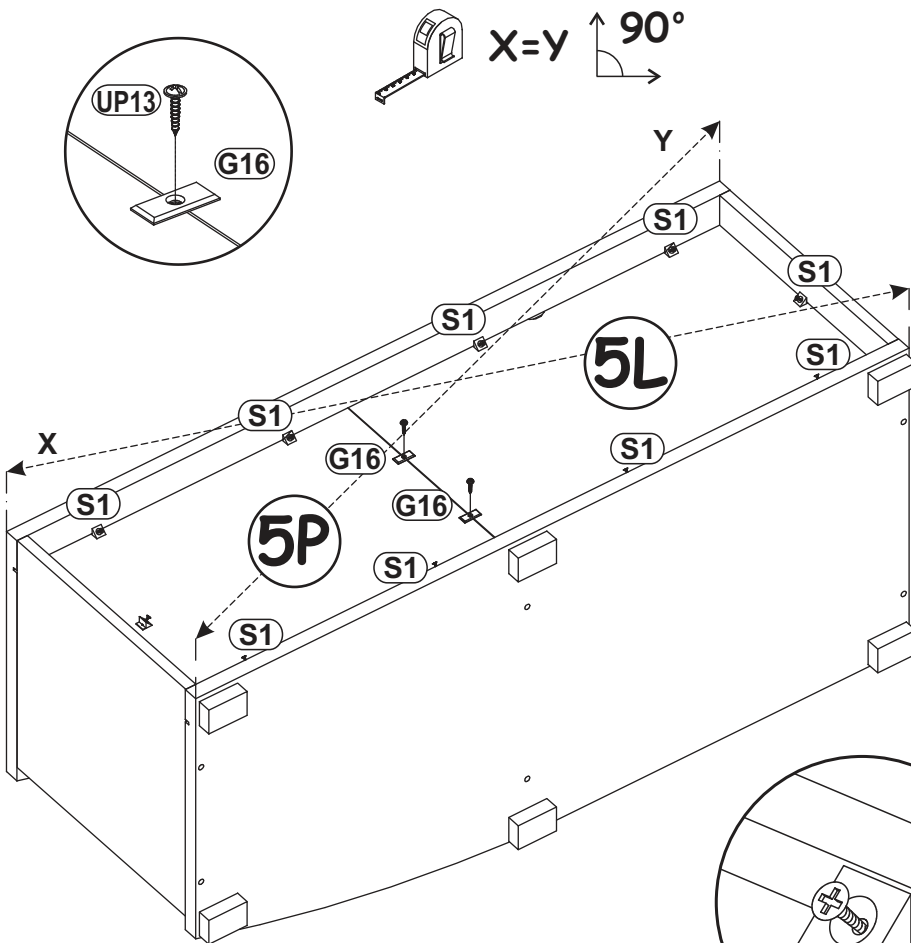
6



G5	
x6	



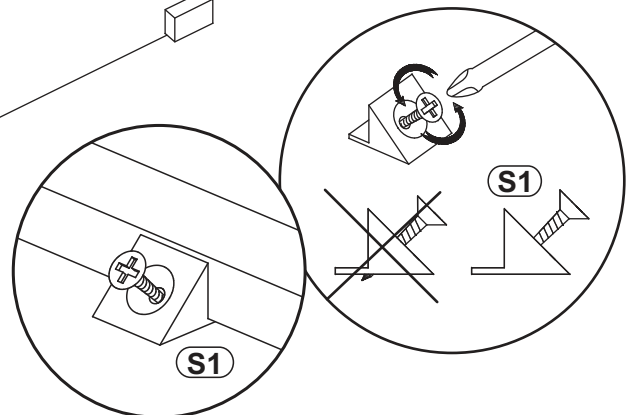
7



UP13	
x2	UPØ3x16

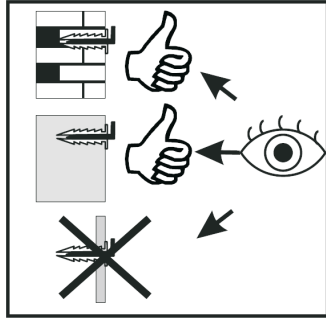
S1	
x10	

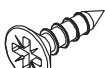
G16	
x2	

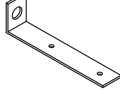


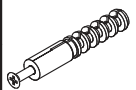
SONIC TYP-32

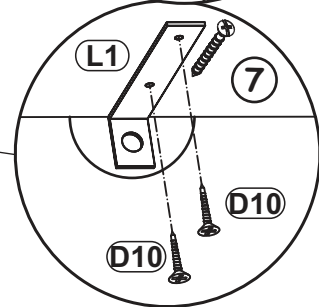
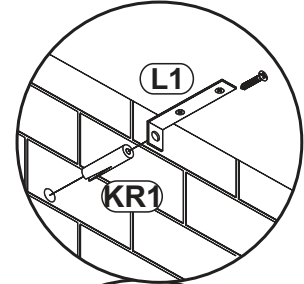
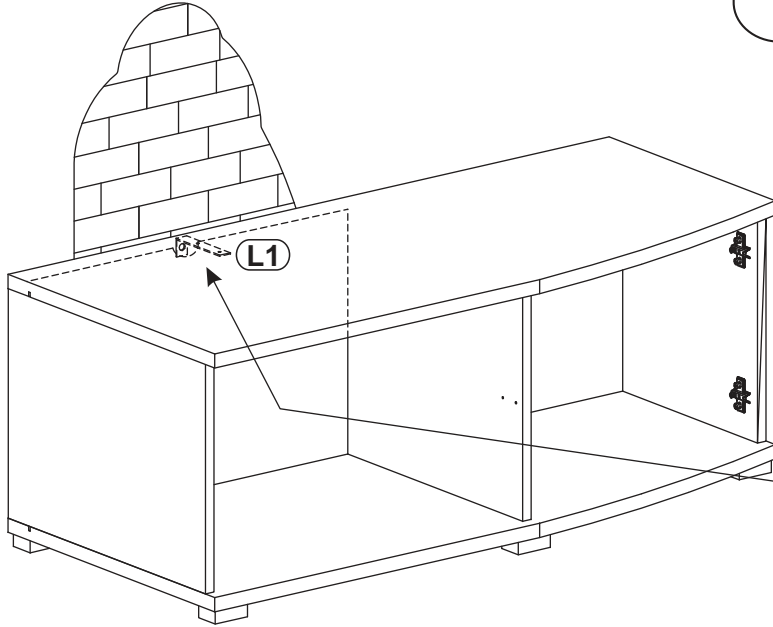
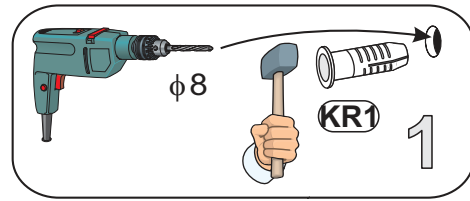
8



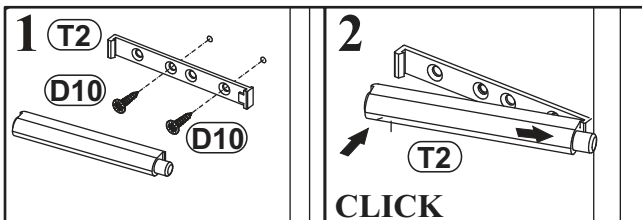
D10	
x2	USØ3,5x13

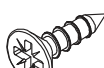
L1	
x1	


KR1	
x1	

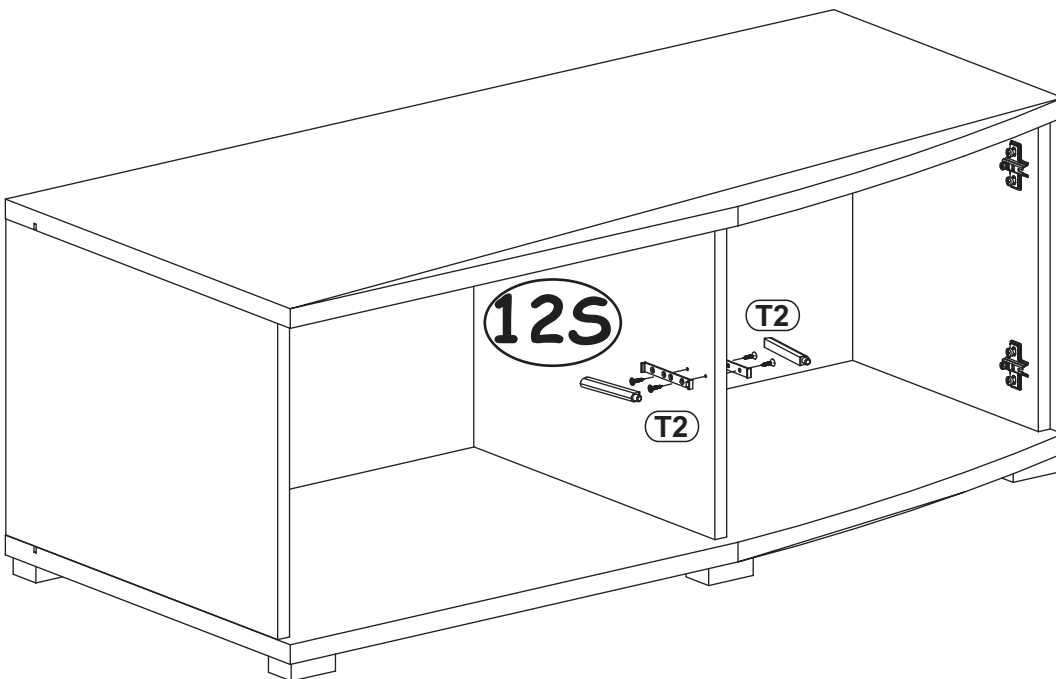


9

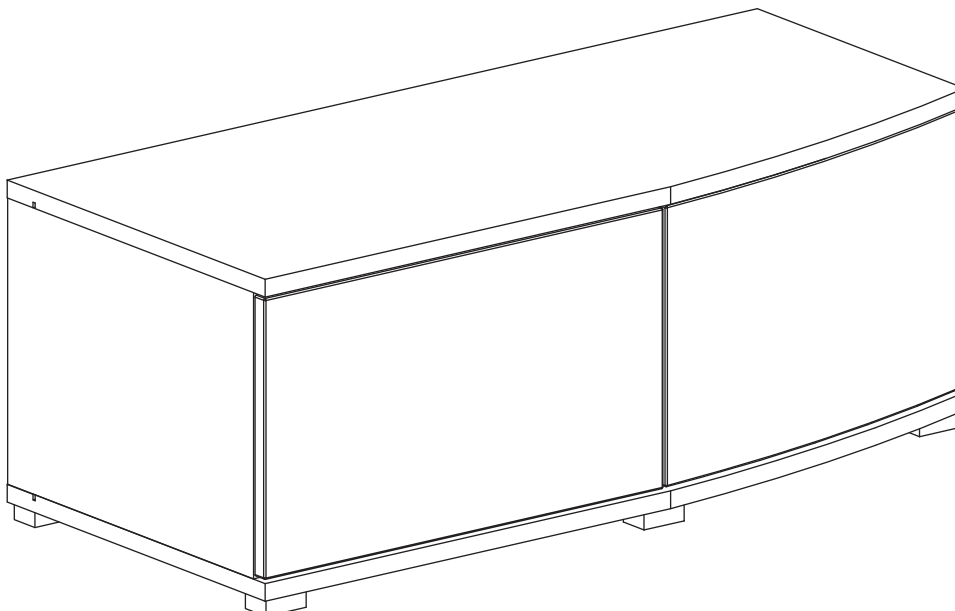
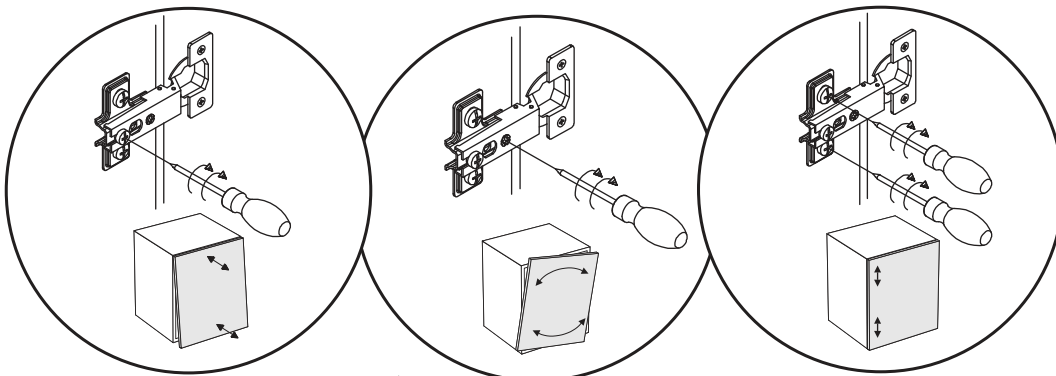
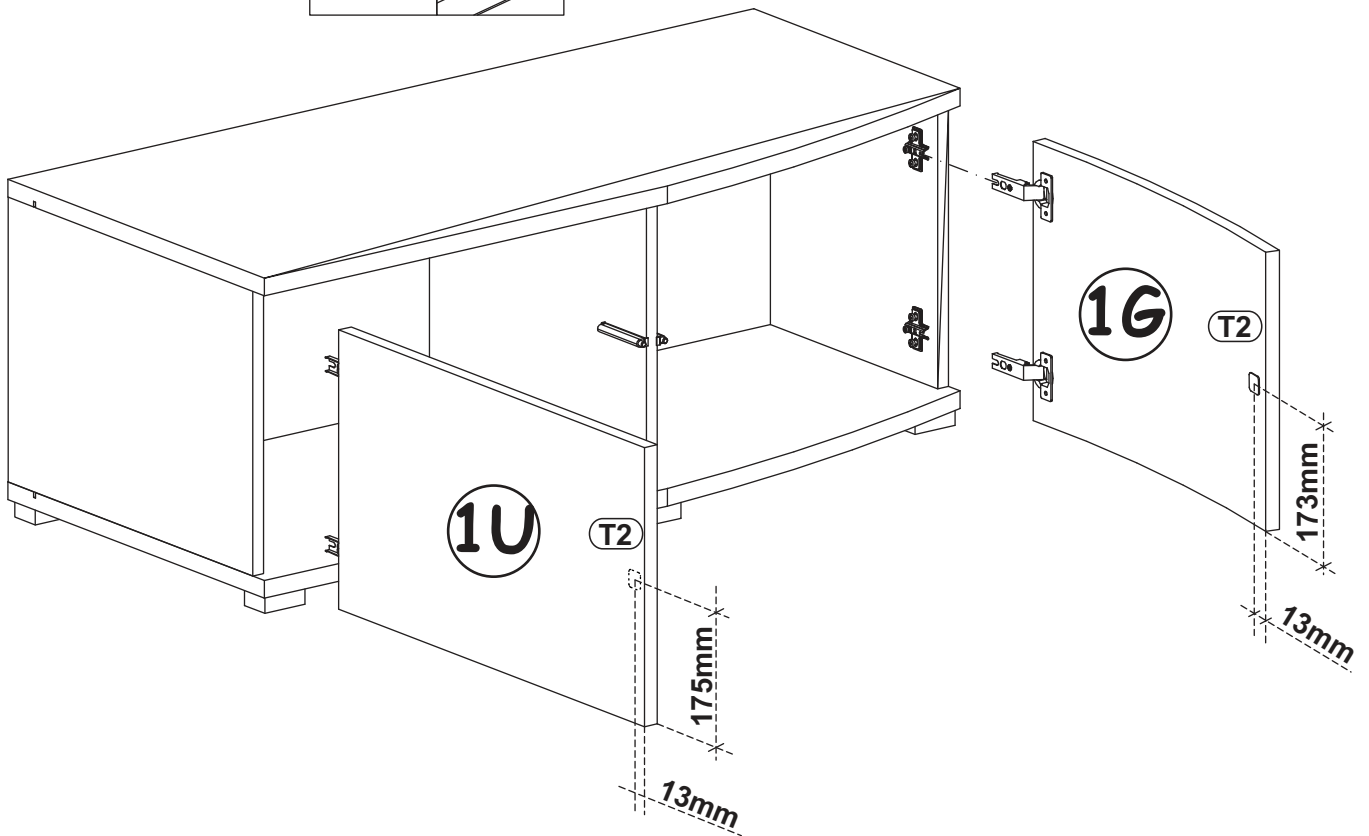
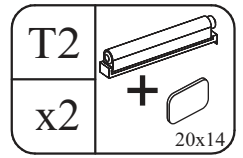
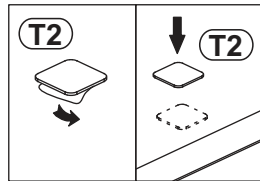


D10	
x4	USØ3,5x13

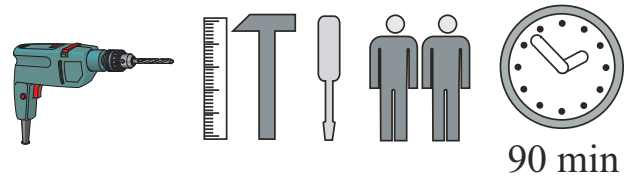
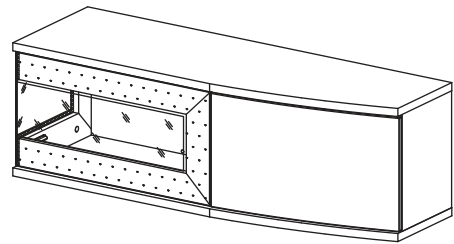
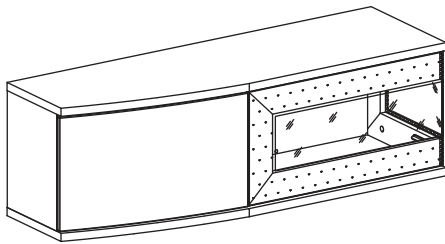
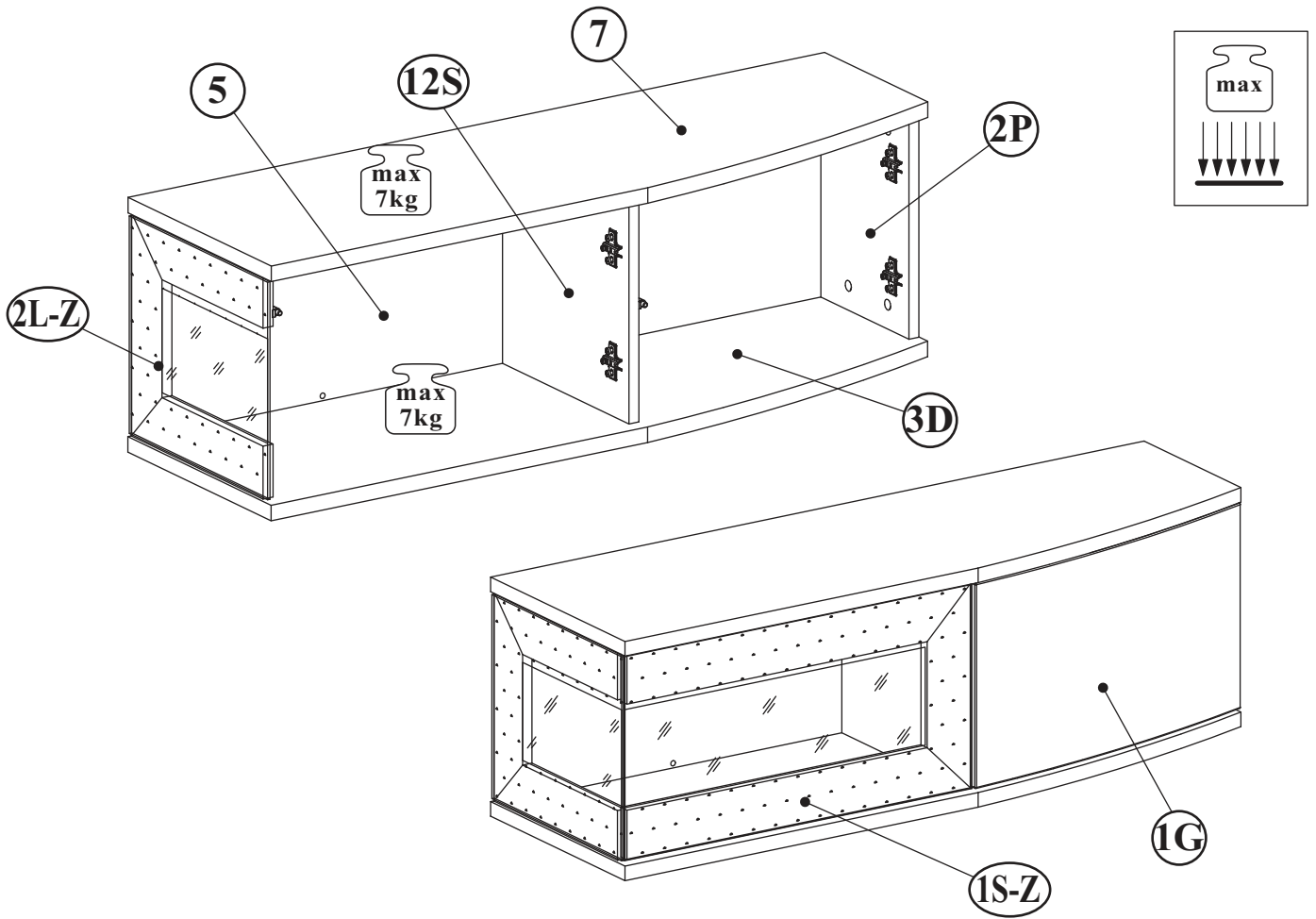
T2	
x2	+ 20x14



10



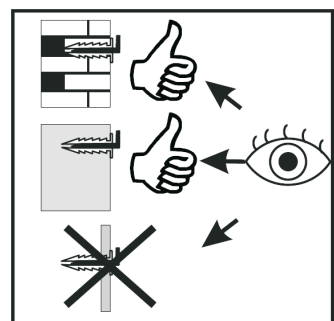
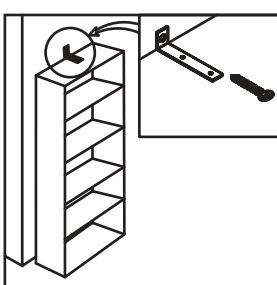
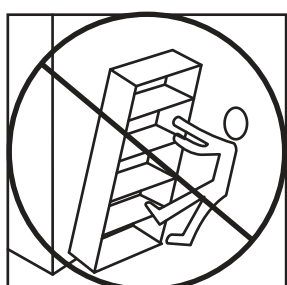
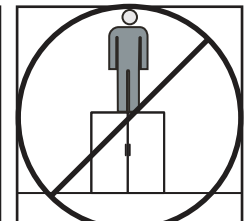
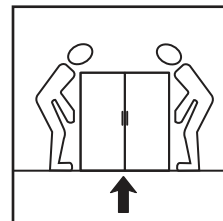
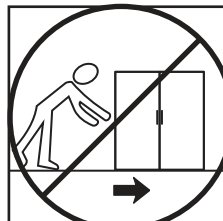
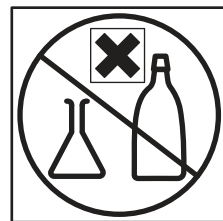
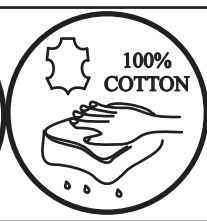
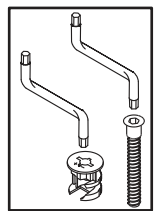
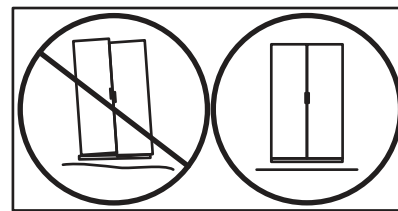
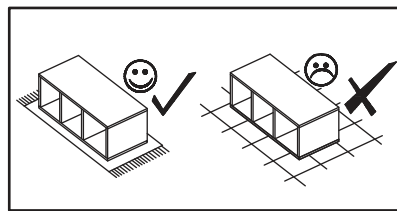
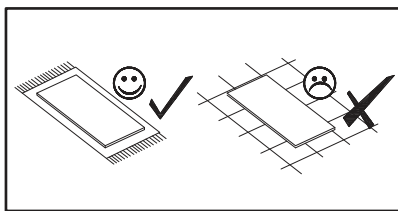
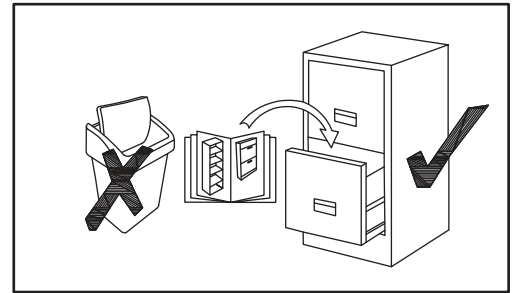
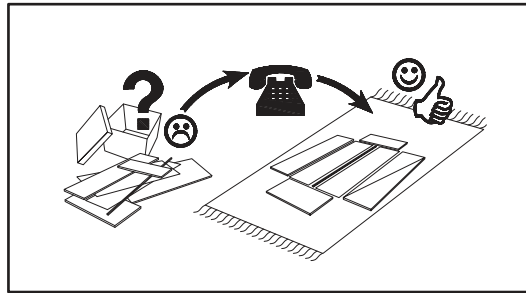
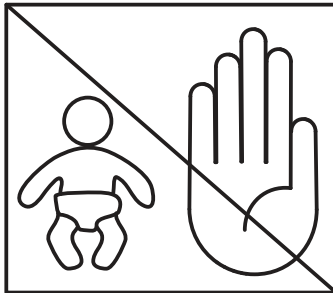
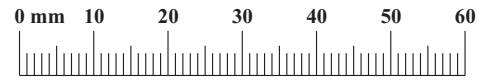
SONIC TYP-20



NO	Dim.[mm]			Col.-No	Qty
1G	523	310	18	4/6; 5/6	1
1S-Z	590	310	16	4/6; 5/6	1
2L-Z	339	317	16	4/6; 5/6	1
12S	317	309	16	4/6; 5/6	1
2P	317	231	16	4/6; 5/6	1
3D	1121	350	22	4/6; 5/6	1
5	1083	317	16	4/6; 5/6	1
7	1121	350	22	4/6; 5/6	1

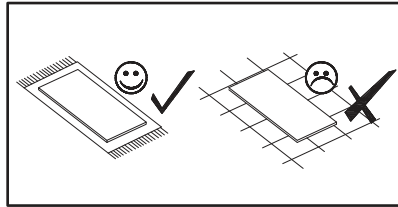
SONIC TYP-20

ZM1 x3		KR2 x3		D20 x6 ESØ6,3x9,5		A1 x20 Ø8x36		B4 x12		B5 x12 ø15x12	
G5 x12		E21 x2 Ø35 H=0		E23 x2 Ø35 H=8		E2 x4 H=0		T2 x2 20x14		D10 x12 USØ3,5x13	
B11 x1 Ø7x50		G4 x1		Z4 x1 Ø8		G2 x1					



SONIC TYP-20

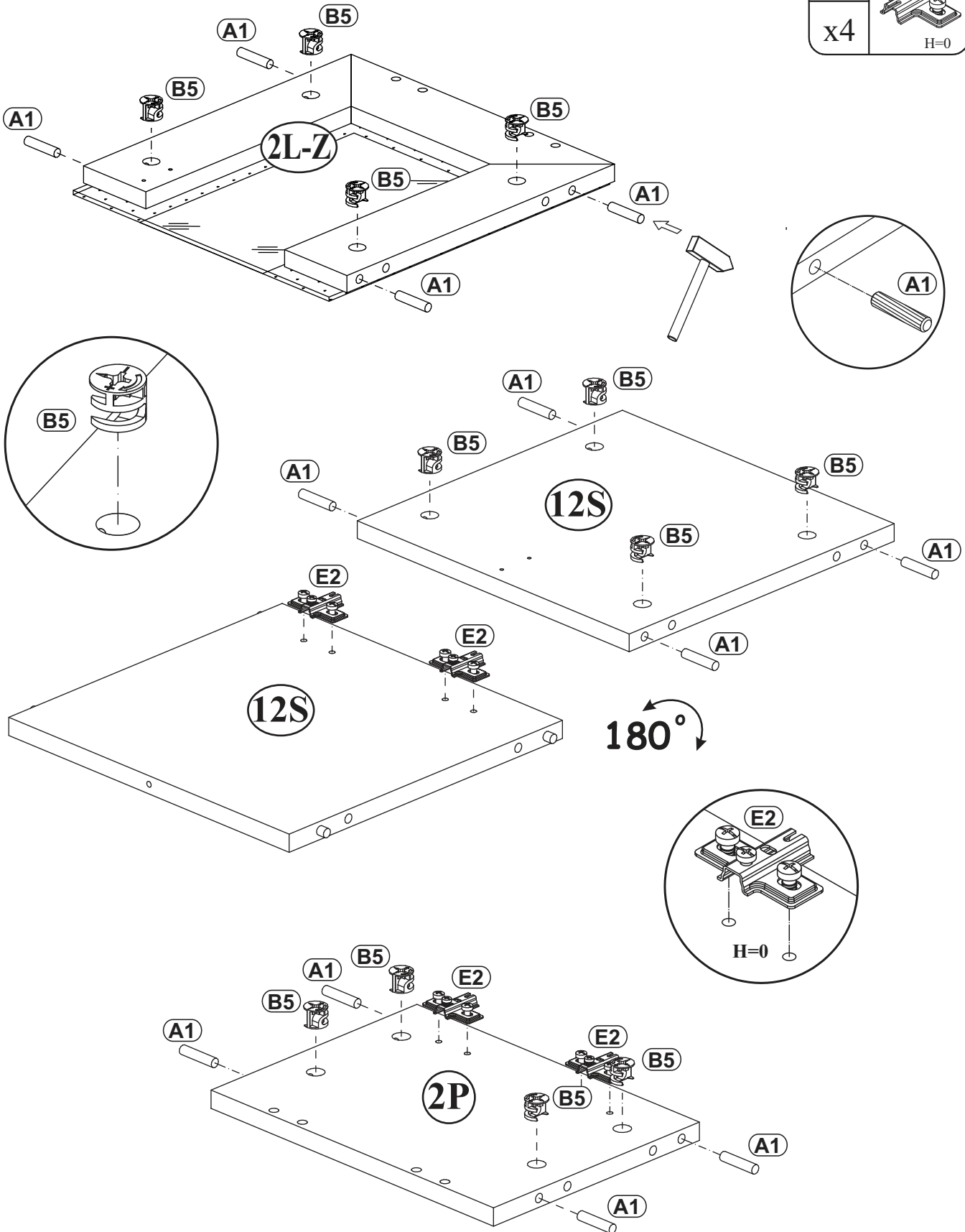
1

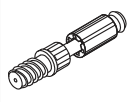


B5	
x12	ø15x12

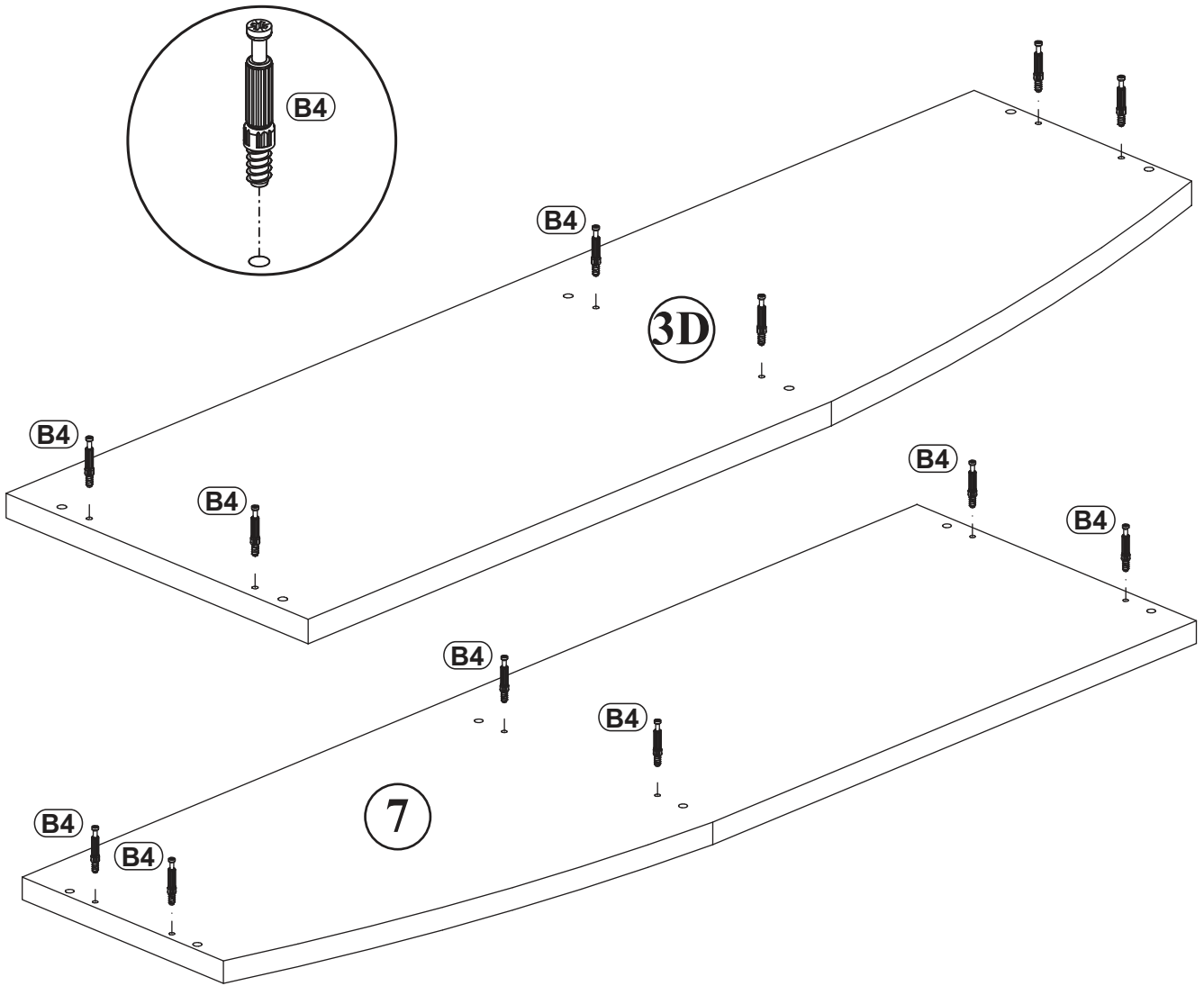
A1	
x12	ø8x36

E2	
x4	H=0

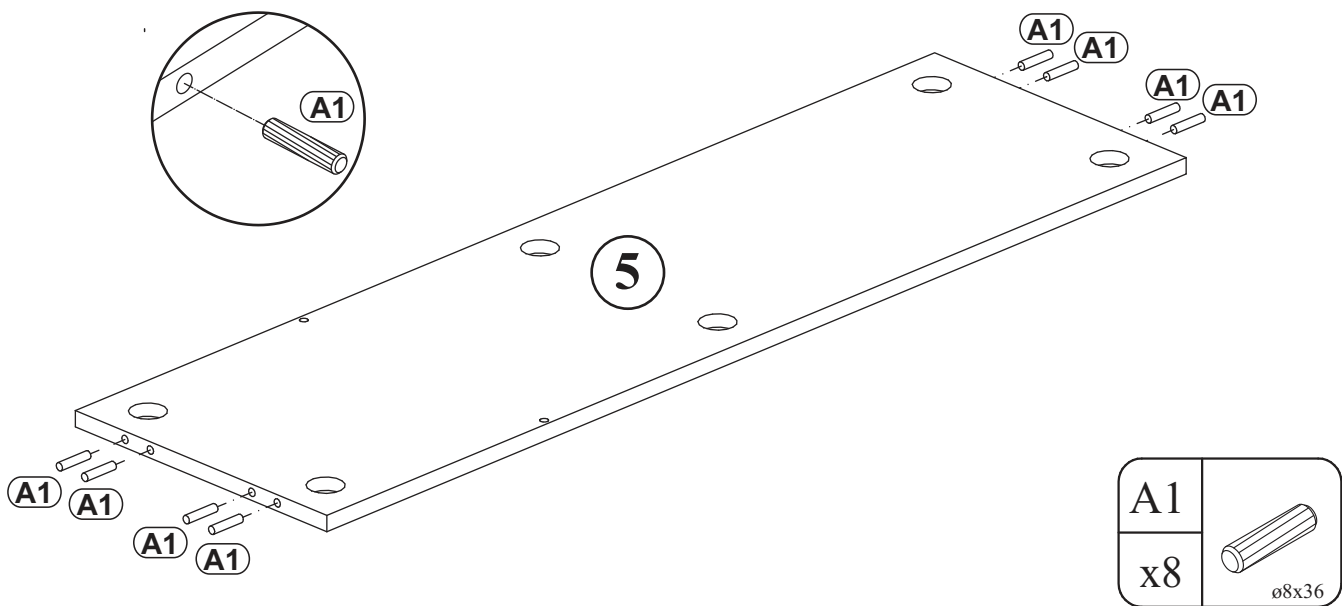


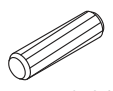
B4	
x12	

2



3

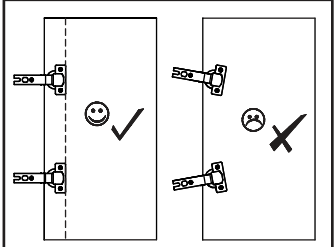
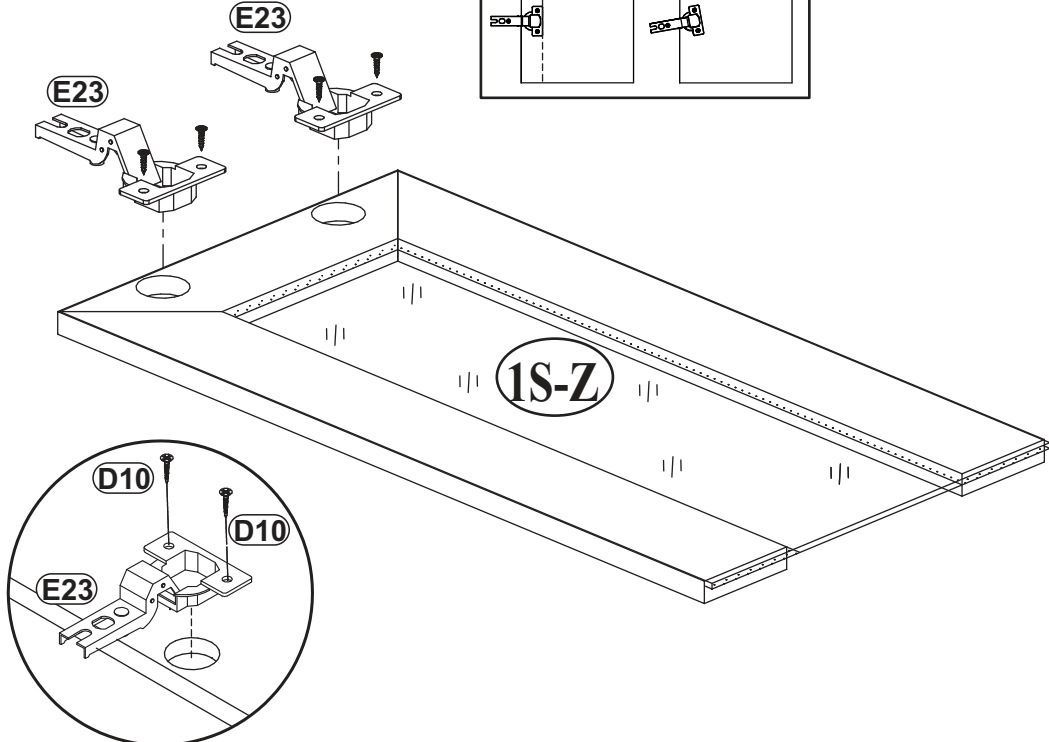



A1	
x8	

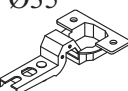
ø8x36

SONIC TYP-20

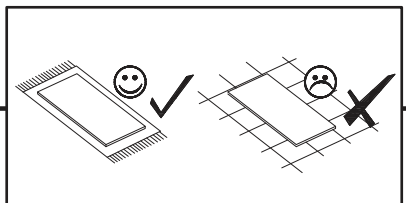
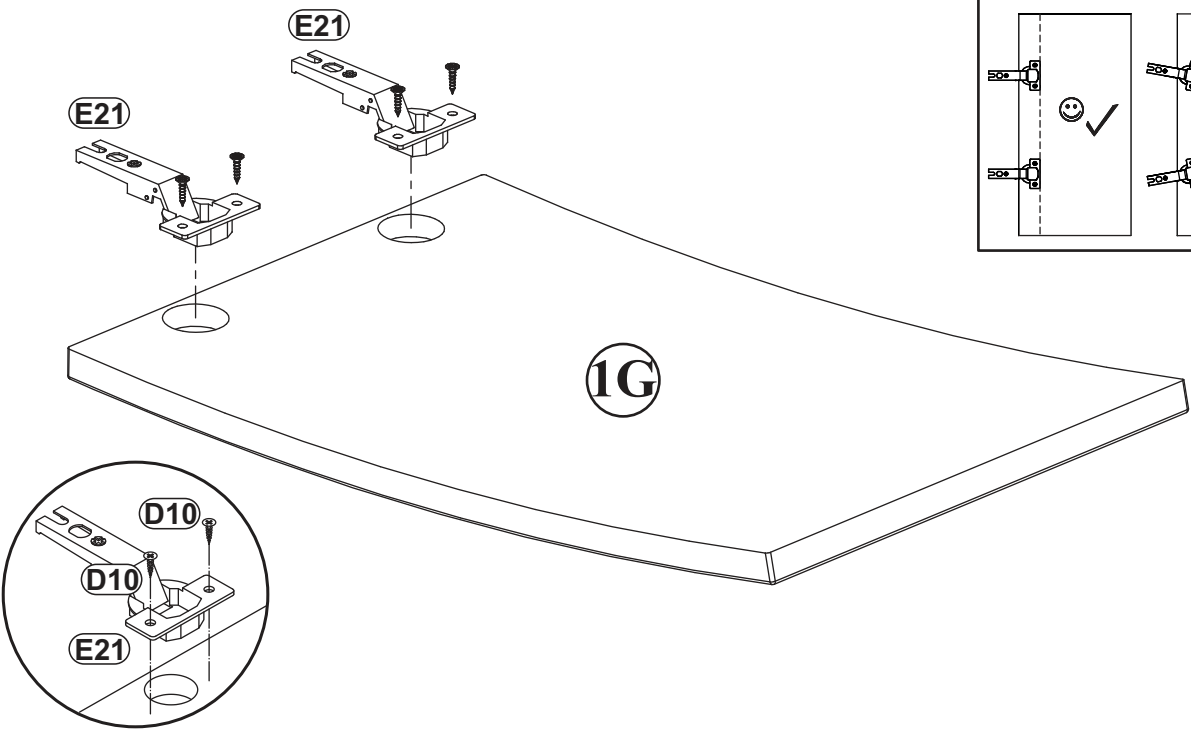
4

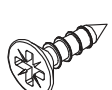


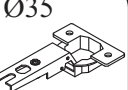
D10	
x4	USØ3,5x13

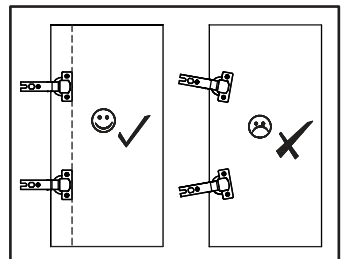
E23	Ø35
x2	
	H=8

5





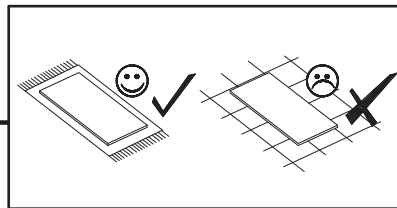
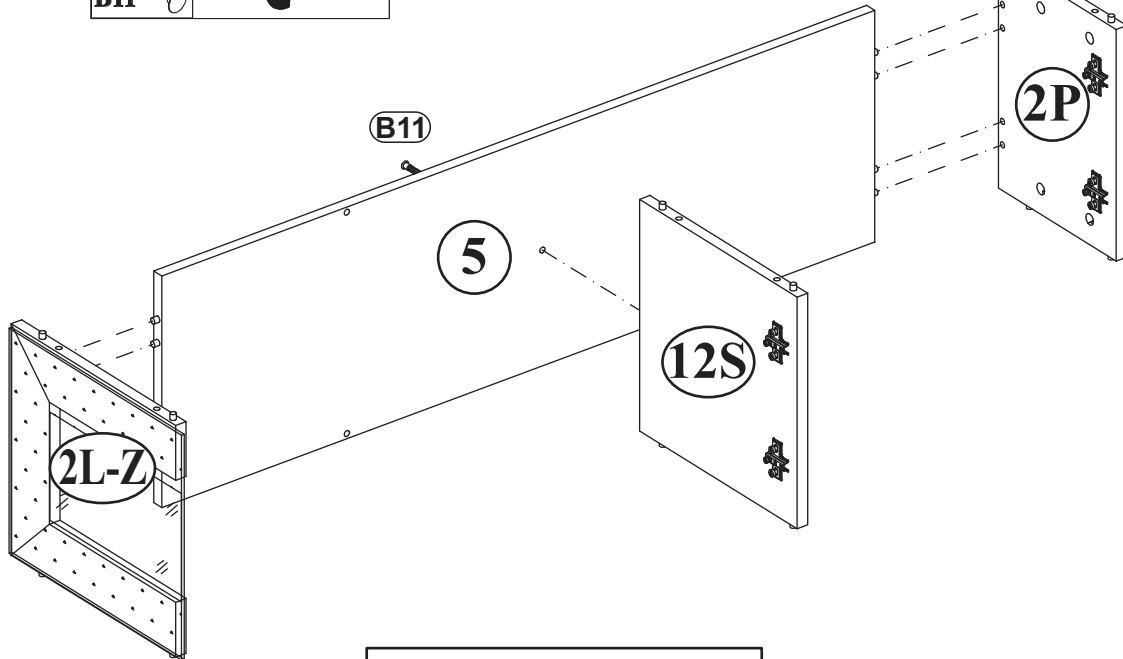
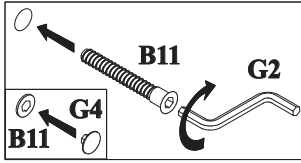
D10	
x4	USØ3,5x13

E21	Ø35
x2	
	H=0




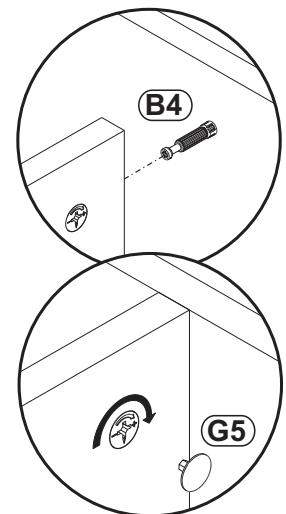
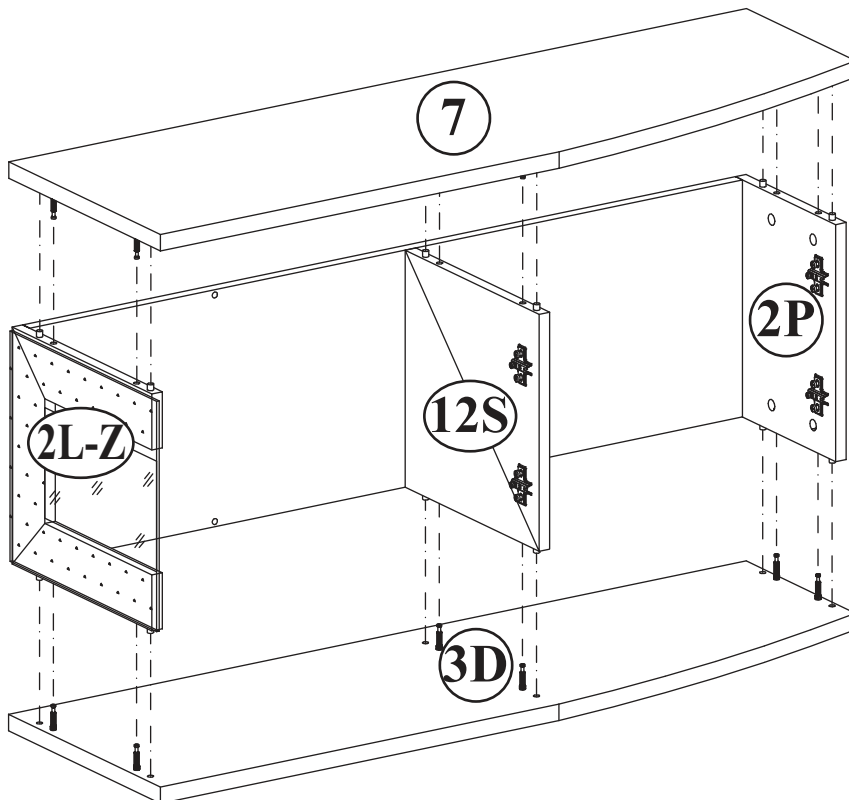
6

B11		G4	
x1	Ø7x50	x1	

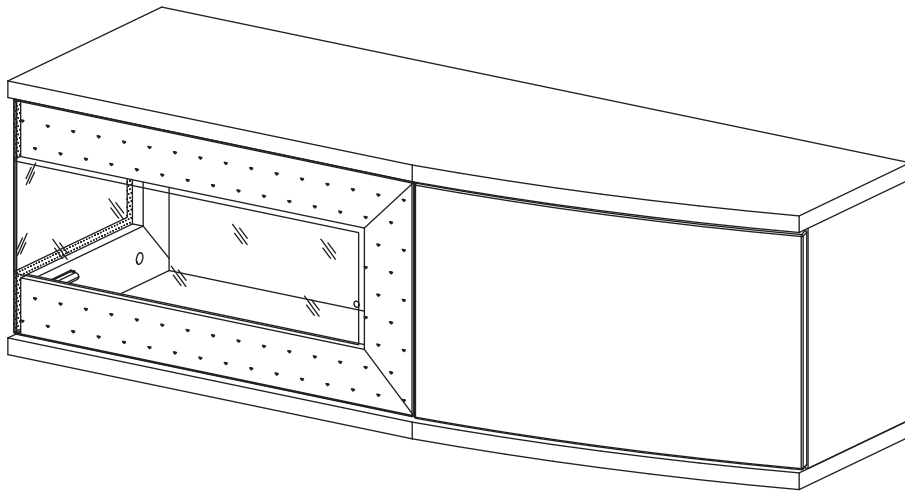


7

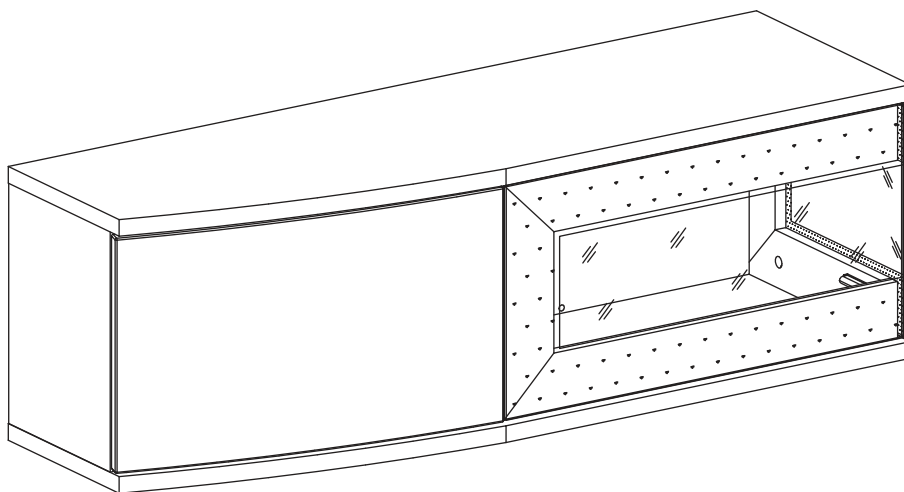
G5	
x12	



8 - 12

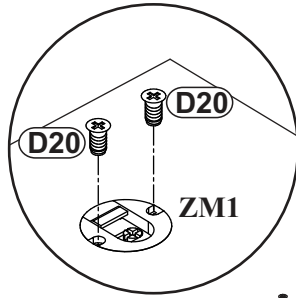
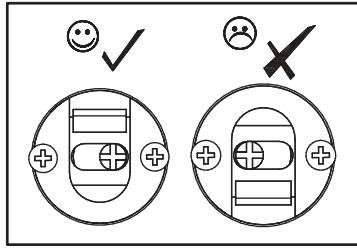


13 - 17

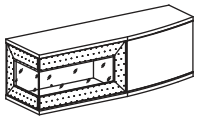
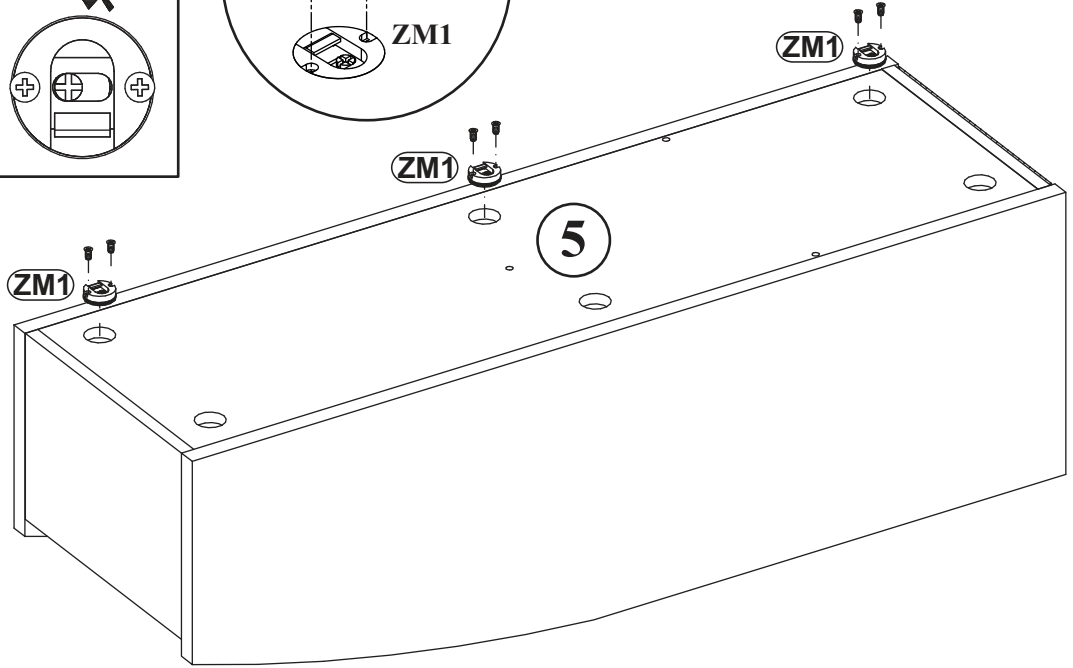


SONIC TYP-20

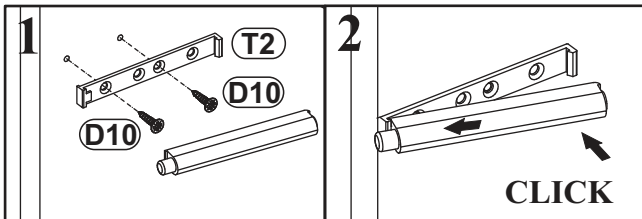
8



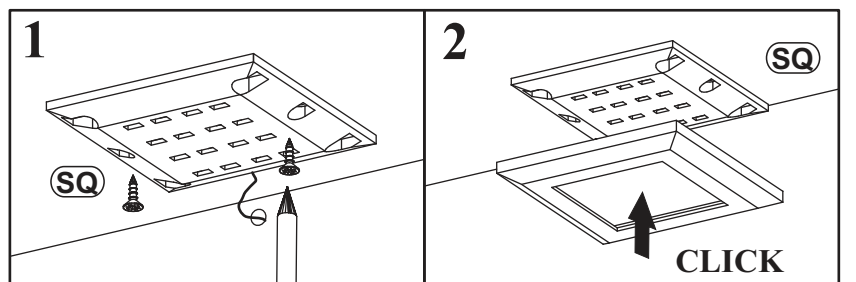
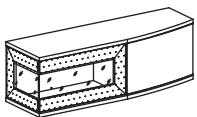
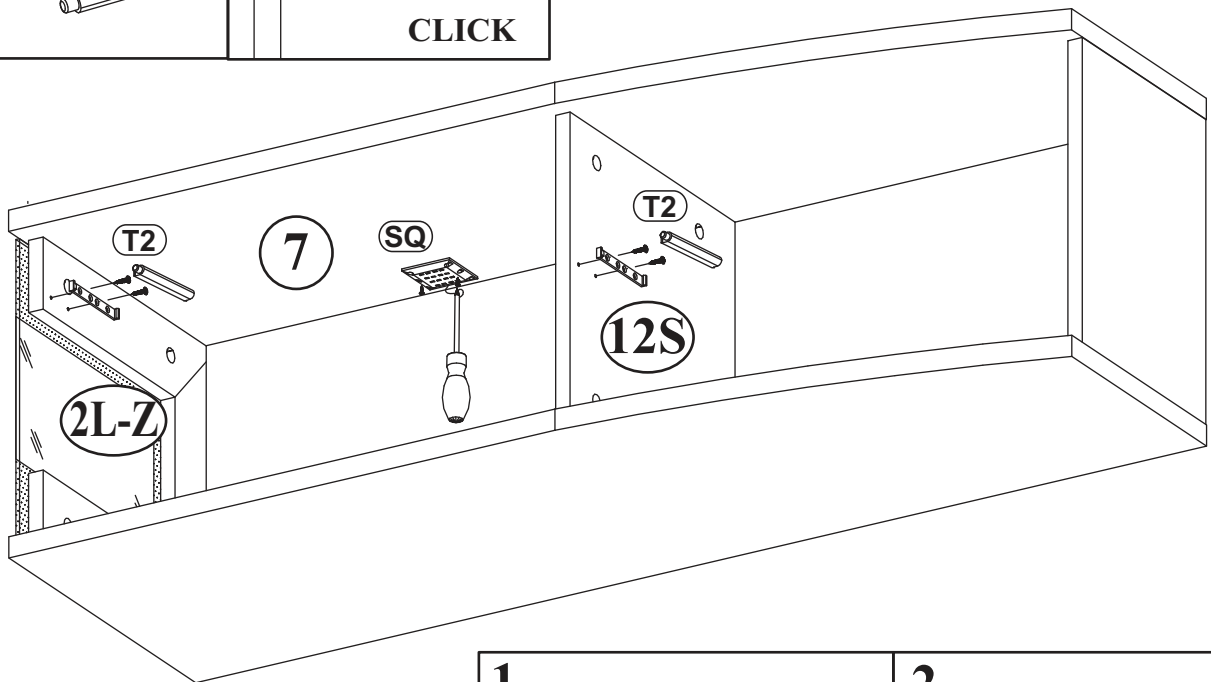
ZM1		D20	
x3		x6	ESØ6,3x9,5



9

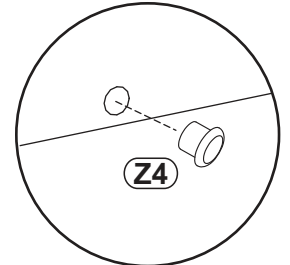
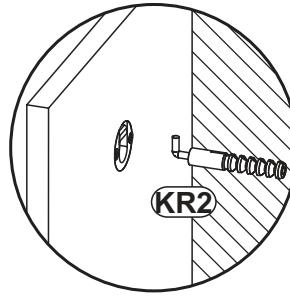
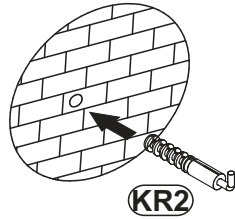
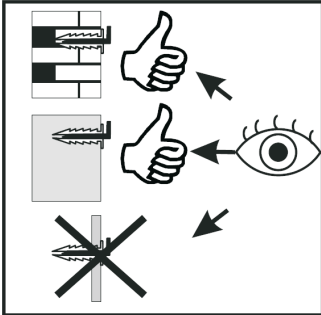
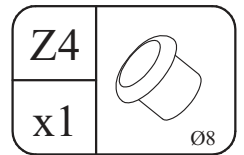
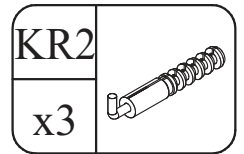
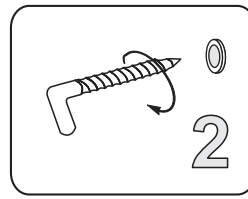
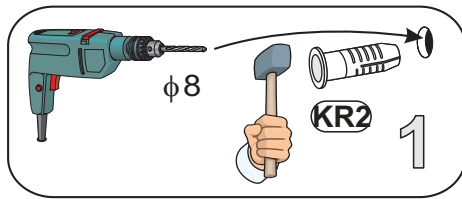
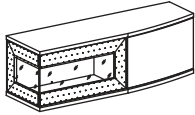


SQ		T2		D10	
x1		x2	+ 20x14	x4	USØ3,5x13

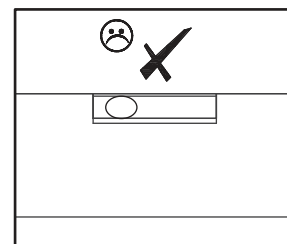
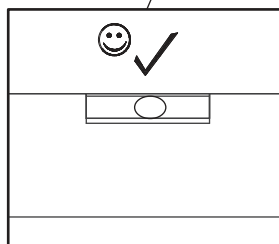
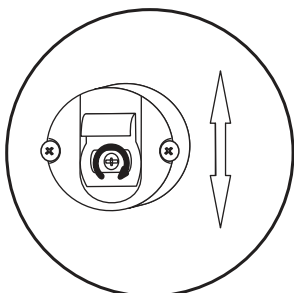
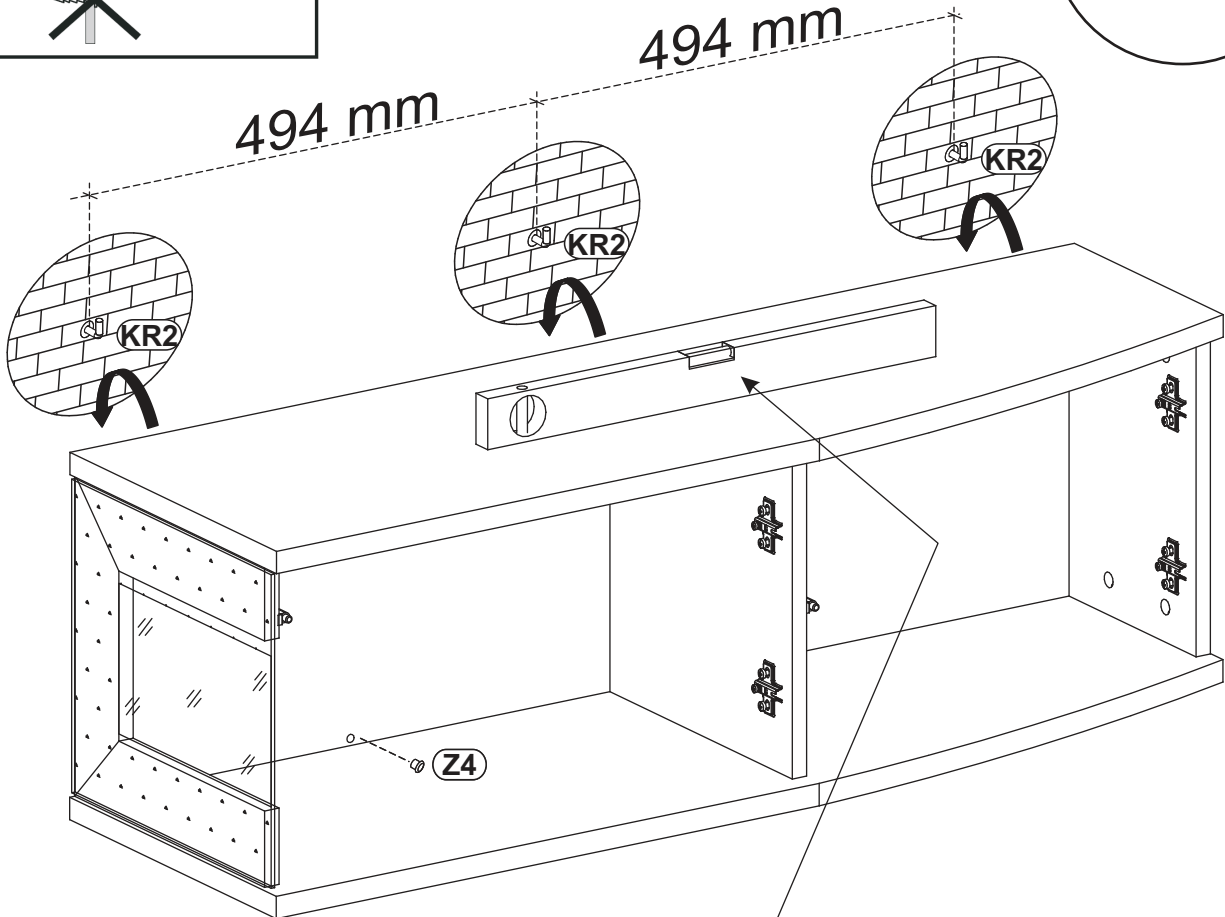


SONIC TYP-20

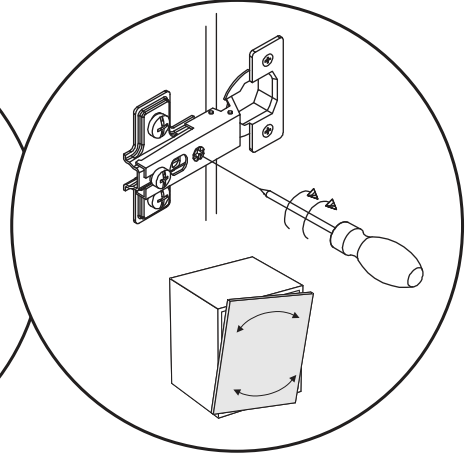
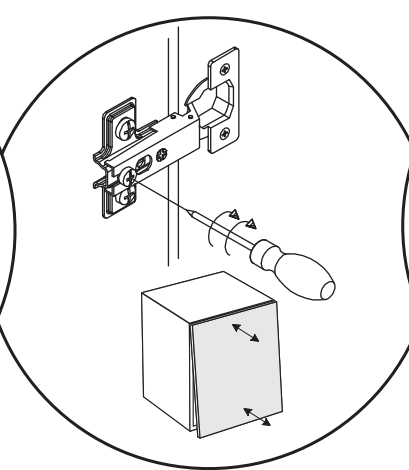
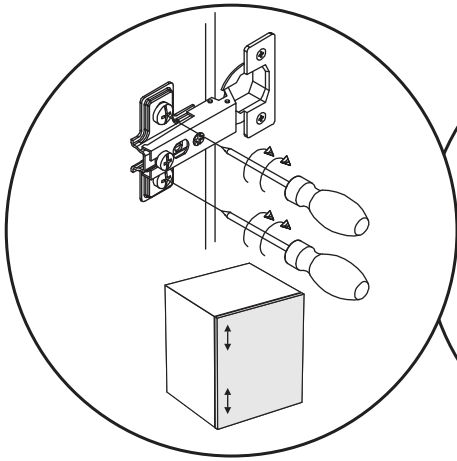
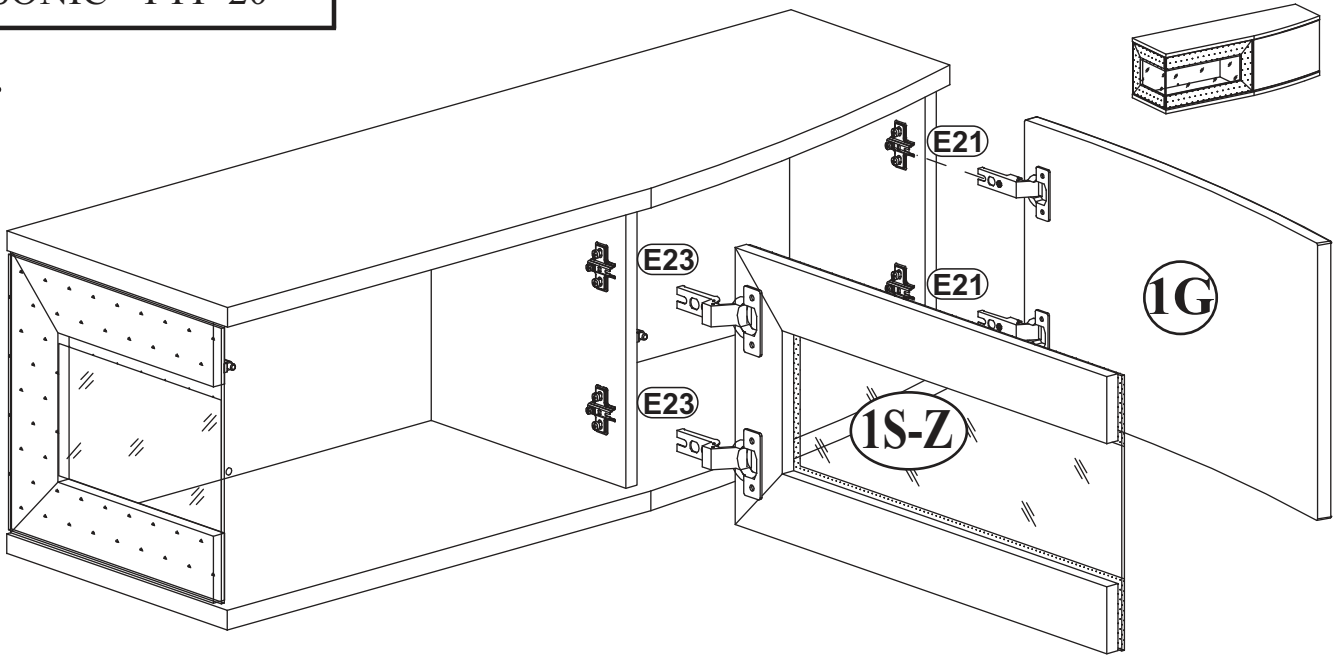
10



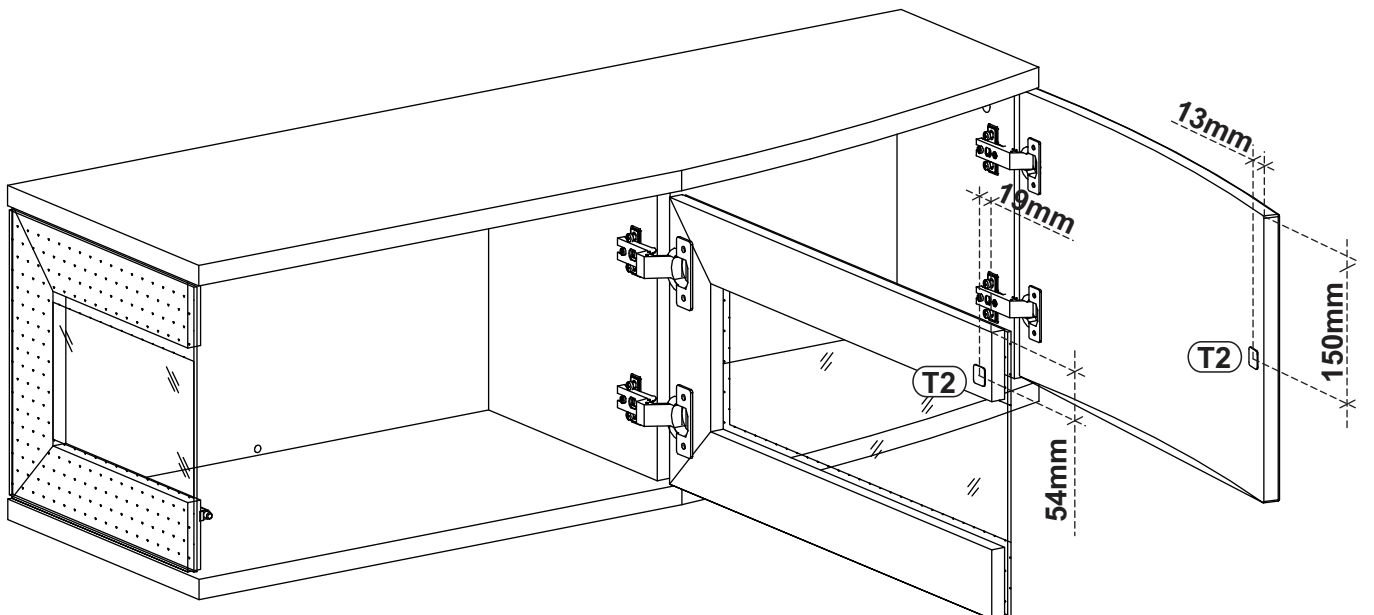
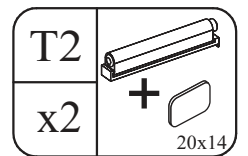
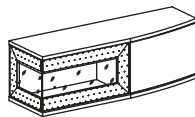
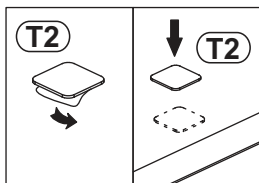
494 mm



11

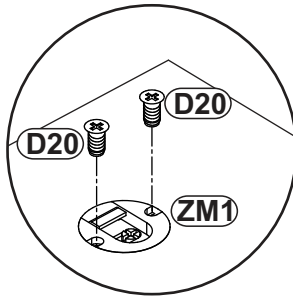
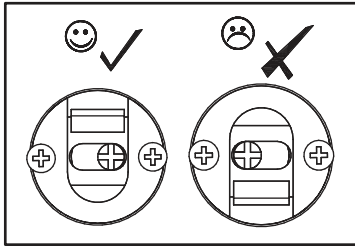


12

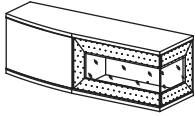
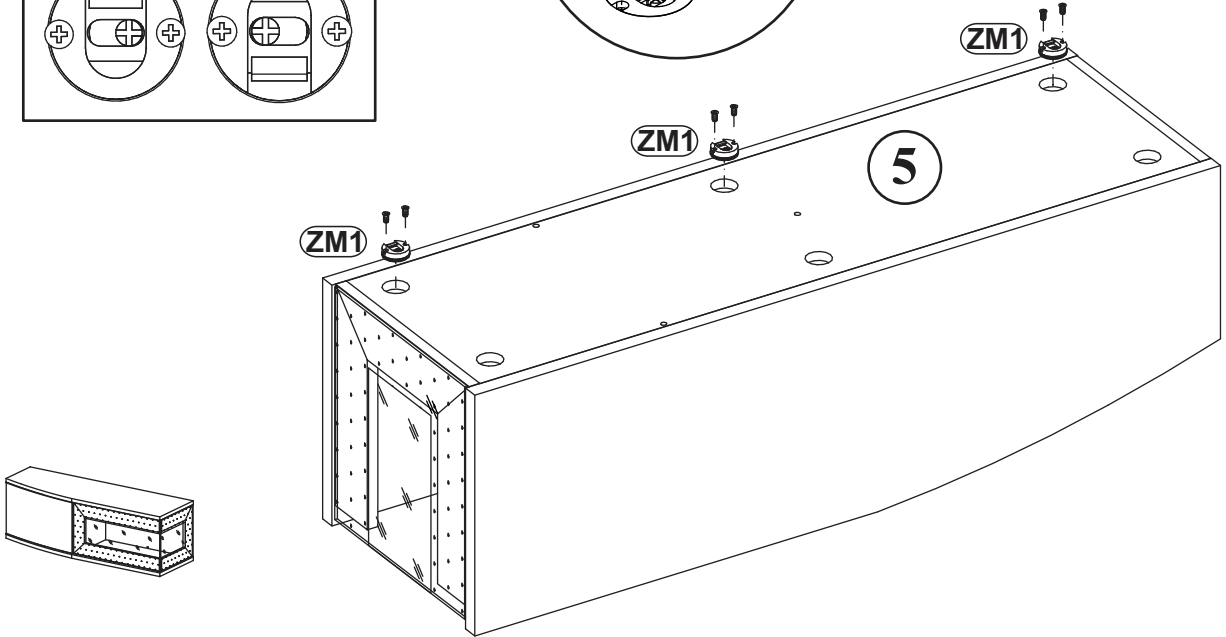


SONIC TYP-20

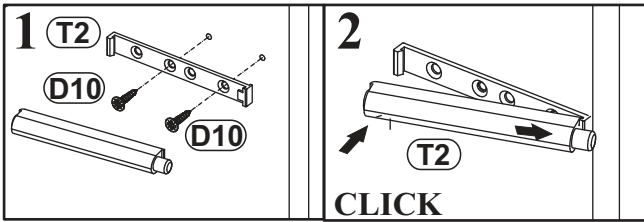
13



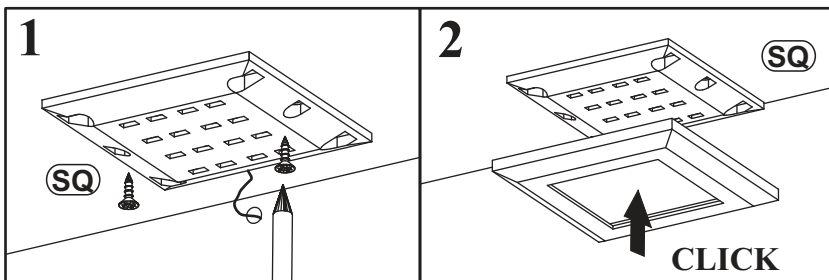
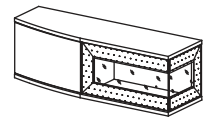
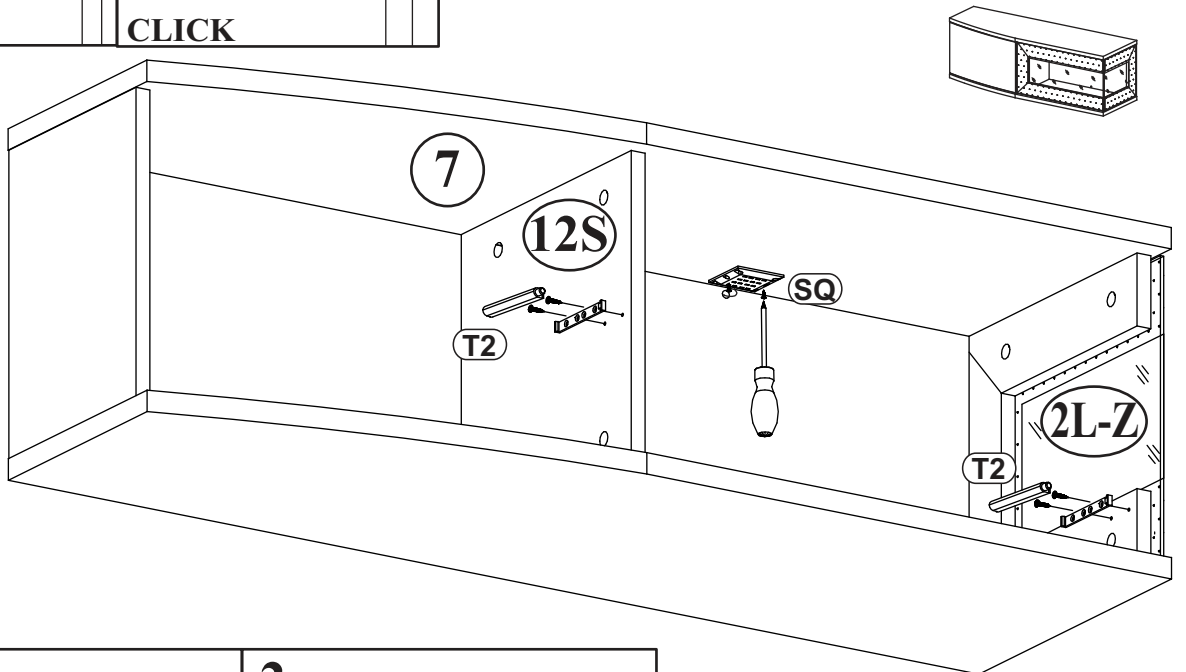
ZM1		D20	
x3		x6	ESØ6,3x9,5



14

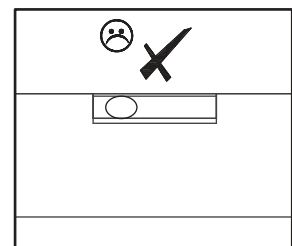
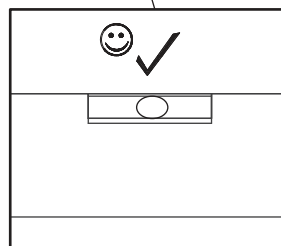
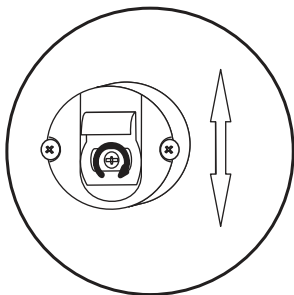
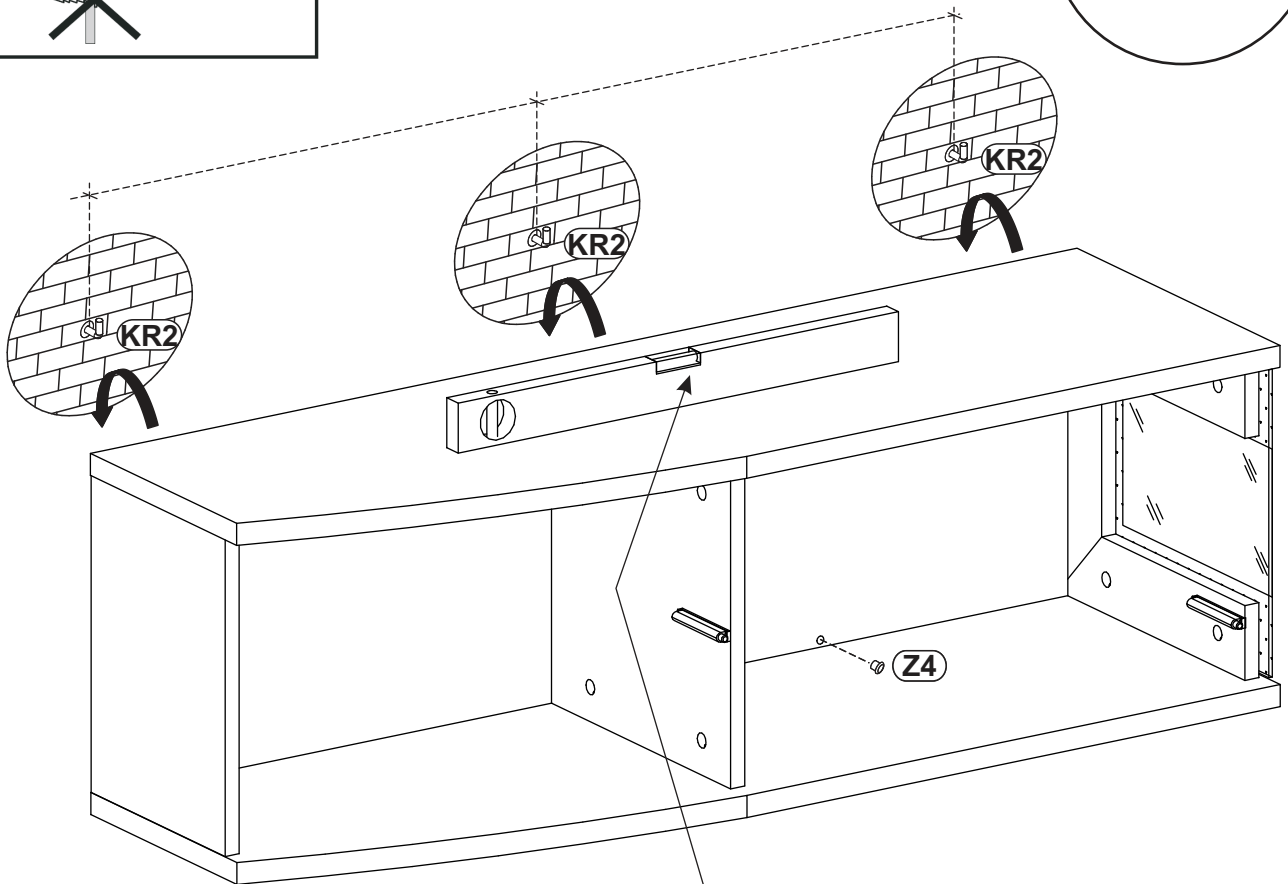
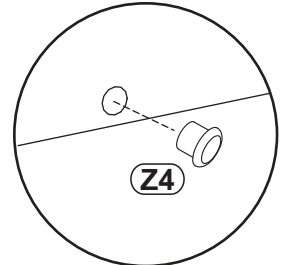
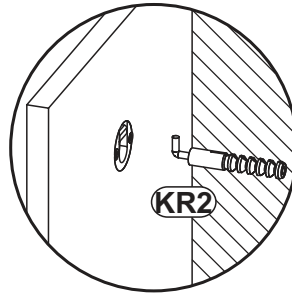
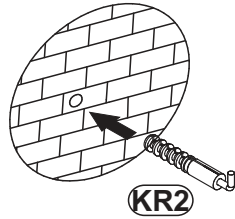
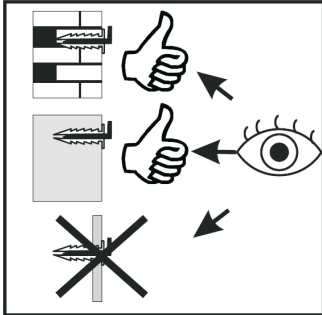
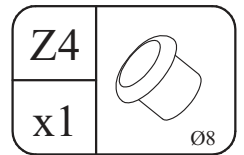
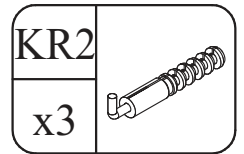
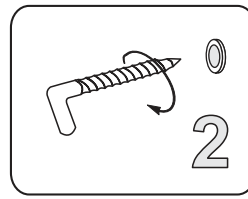
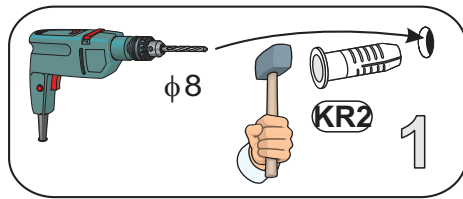
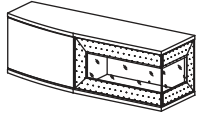


SQ		T2		D10	
x1		x2	20x14	x4	USØ3,5x13

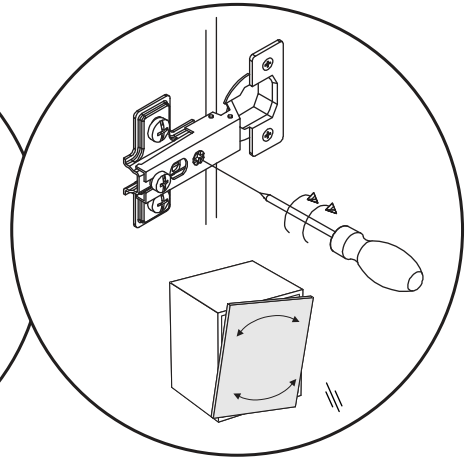
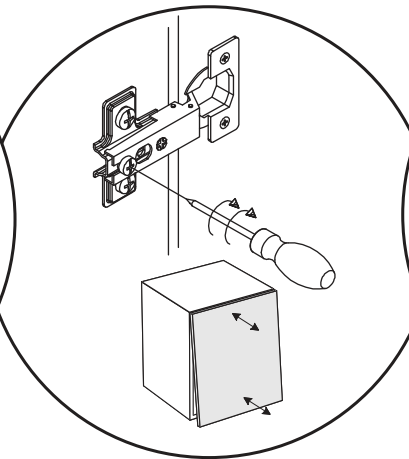
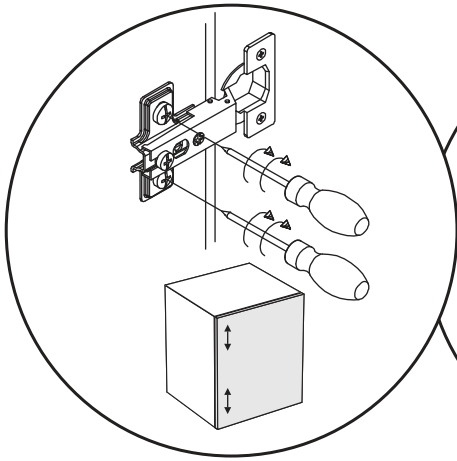
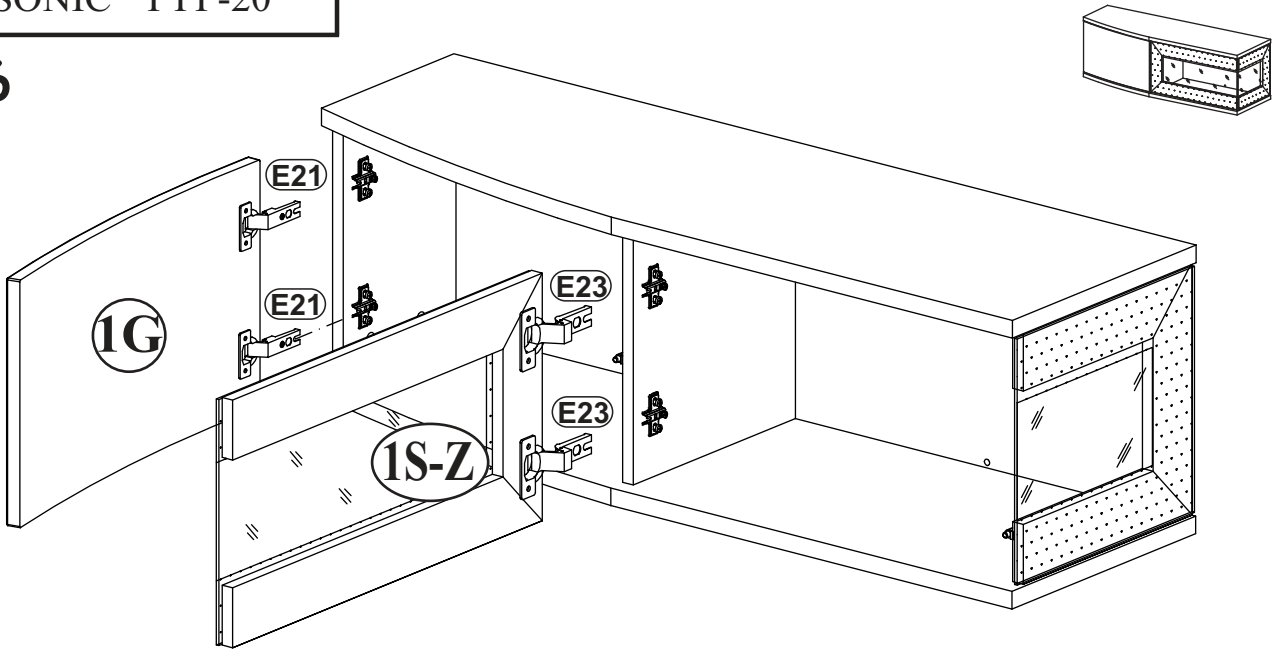


SONIC TYP-20

15



16



17

