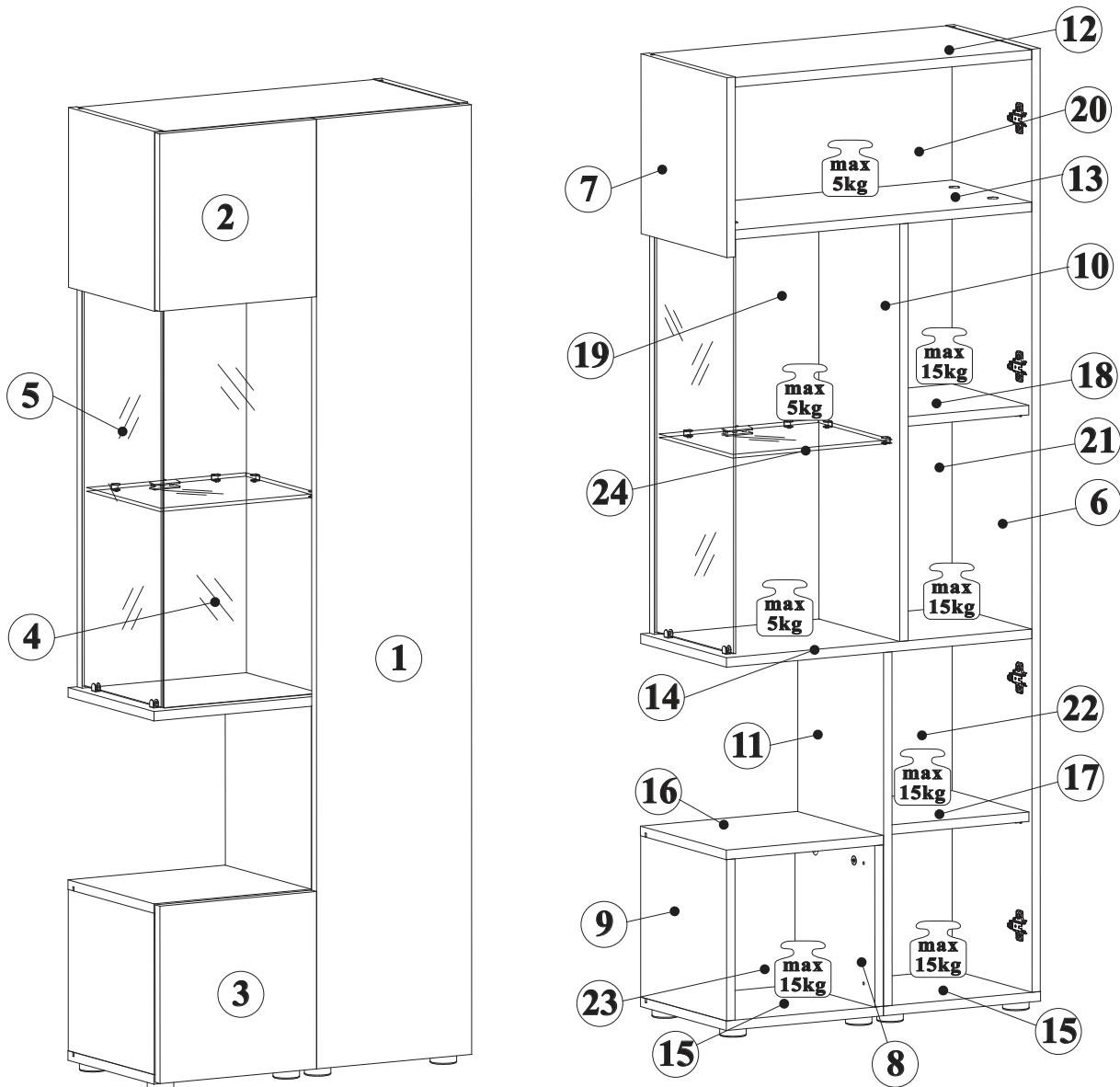
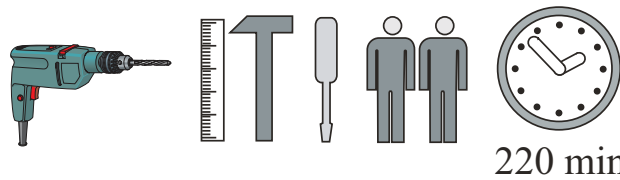


MARINO ___ MR- TYP 01



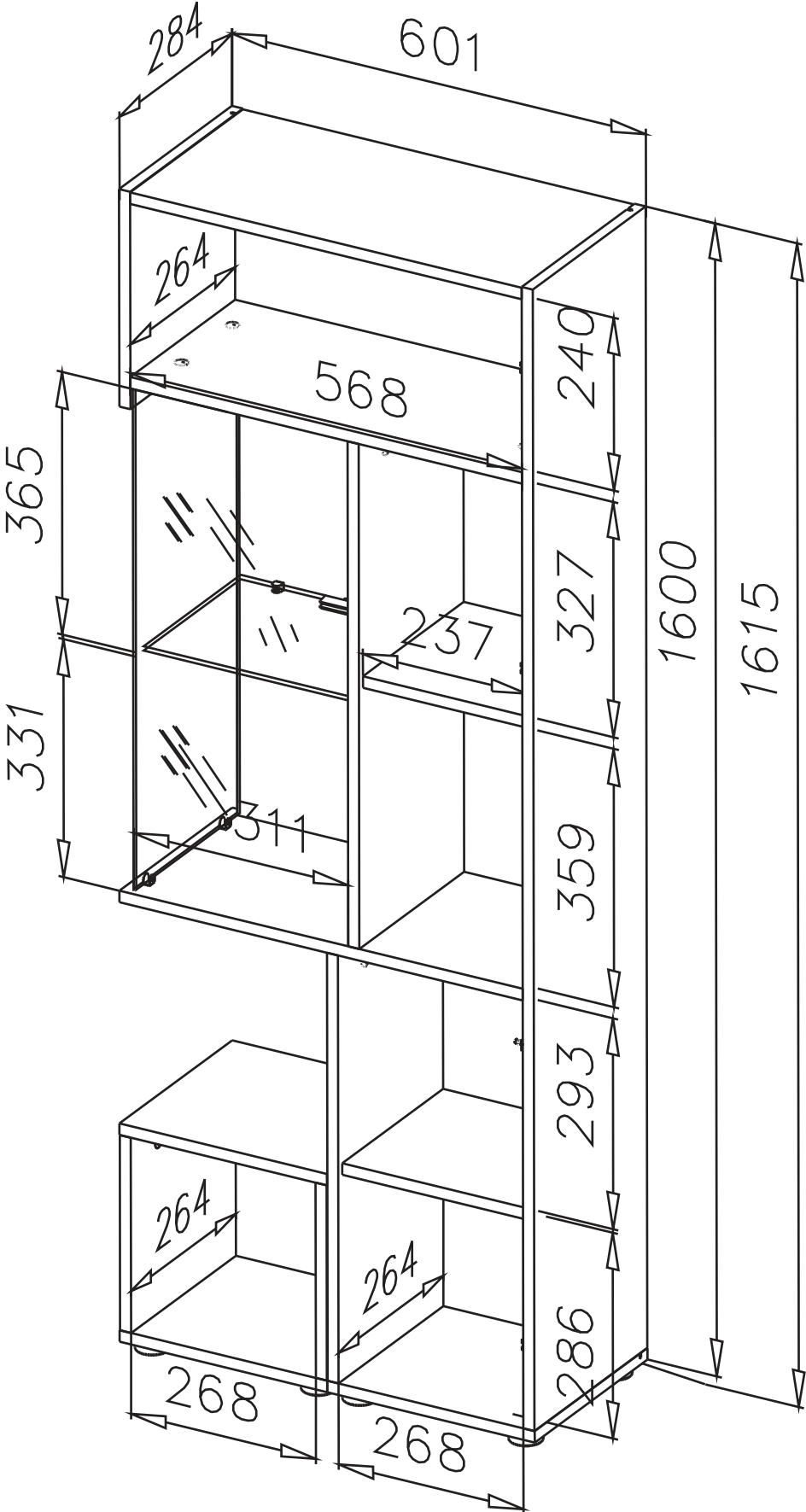
NO	DIM [mm]		COL.-NO	QTY
1	297	1595	16 2/2	1
2	300	298	16 2/2	1
3	300	298	16 2/2	1
4	695	308	4 2/2	1
5	695	261	4 2/2	1
6	1584	284	16 2/2	1
7	302	284	16 1/2	1
8	271	284	16 1/2	1
9	271	284	16 1/2	1
10	284	701	16 1/2	1
11	594	284	16 1/2	1
12	568	284	16 1/2	1

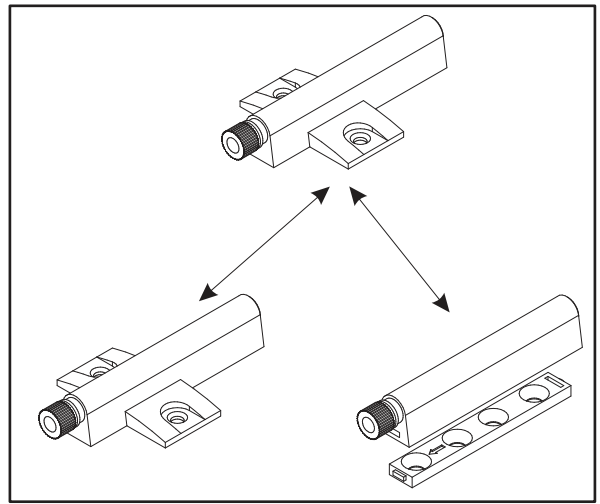
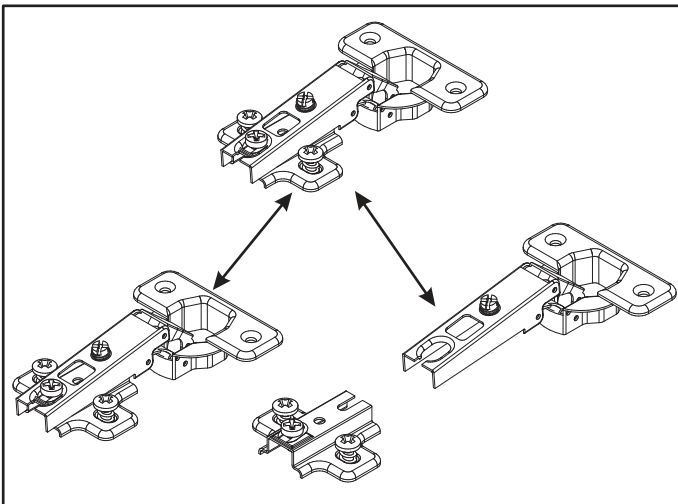
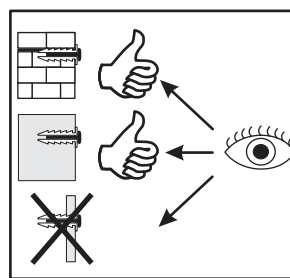
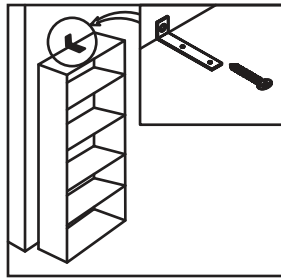
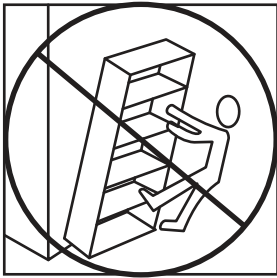
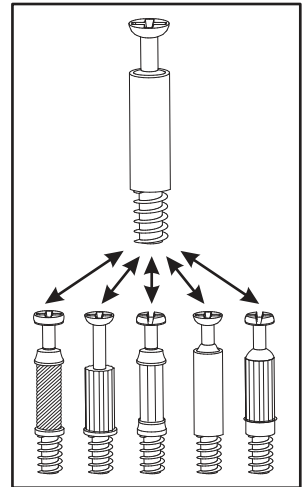
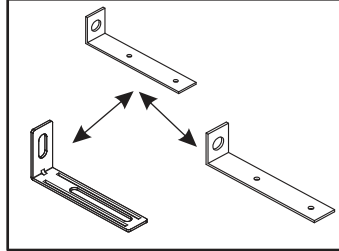
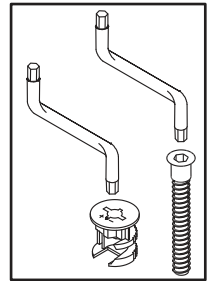
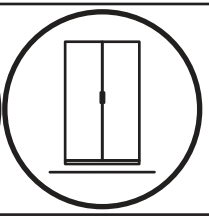
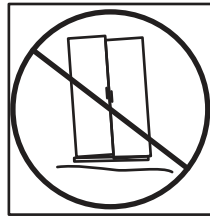
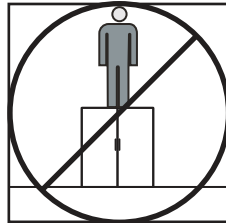
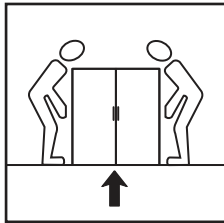
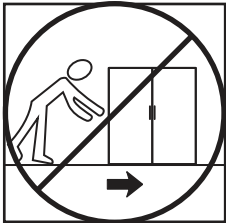
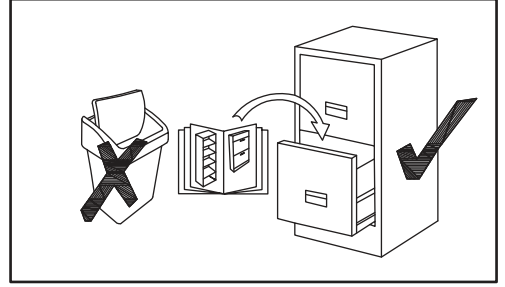
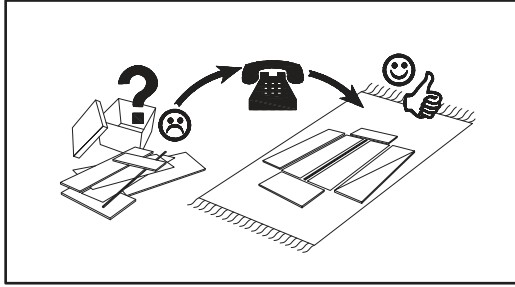
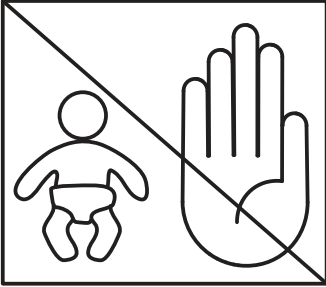
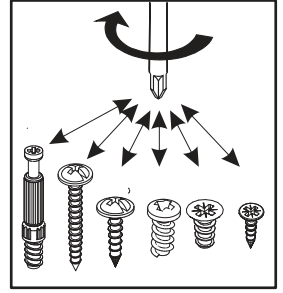
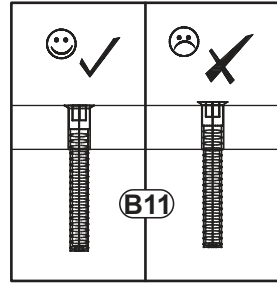
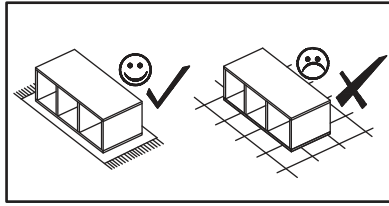
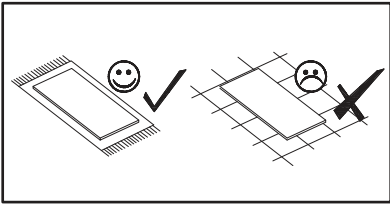
NO	DIM [mm]		COL.-NO	QTY
13	568	284	16 1/2	1
14	585	284	16 2/2	1
15	301	284	16 1/2	2
16	301	284	3 1/2	1
17	268	254	16 1/2	1
18	237	254	16 1/2	1
19	315	701	16 2/2	1
20	249	580	3 1/2	1
21	709	249	3 1/2	1
22	604	280	3 1/2	1
23	283	279	3 1/2	1
24	305	244	6 2/2	1

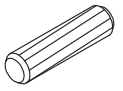


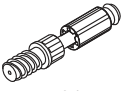
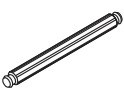





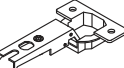

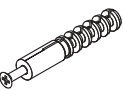
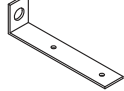
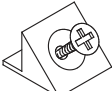
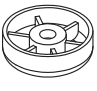
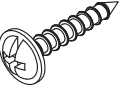
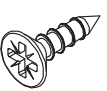
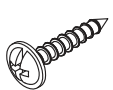
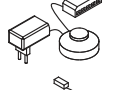
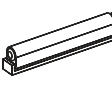
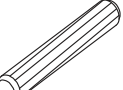

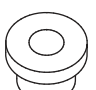


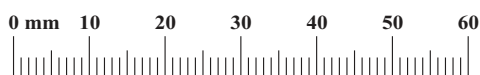
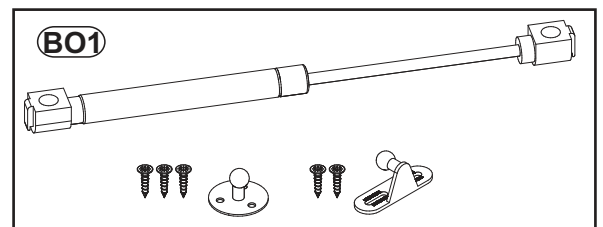
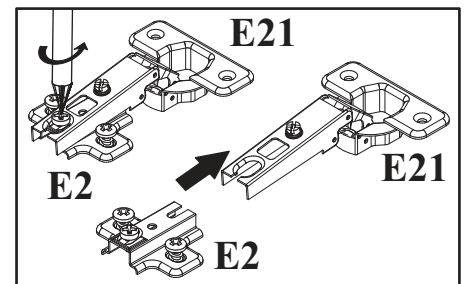
220 min

MARINO __MR- TYP 01





A1 x28  Ø8x36	B11 x15  Ø7x50	G12 x13  C	B4 x18  34	B9 x4  Ø7x48	B5 x26  Ø15x12
G2 x1 	G28 x26  Ø20	G7 x8 	E2 x4  H=0	E21 x4  Ø35 H=0	UP6 x4  UPØ4x30
KR1 x2  Ø8	L1 x2 	S1 x22 	I11 x8  Ø45, h=15	UP11 x8  UPØ4x20	D10 x14  USØ3,5x13
UP13 x8  UPØ3x16	LED x1 	T1 x1 	A11 x4  Ø8x50	G30 x6 	P2 x8 

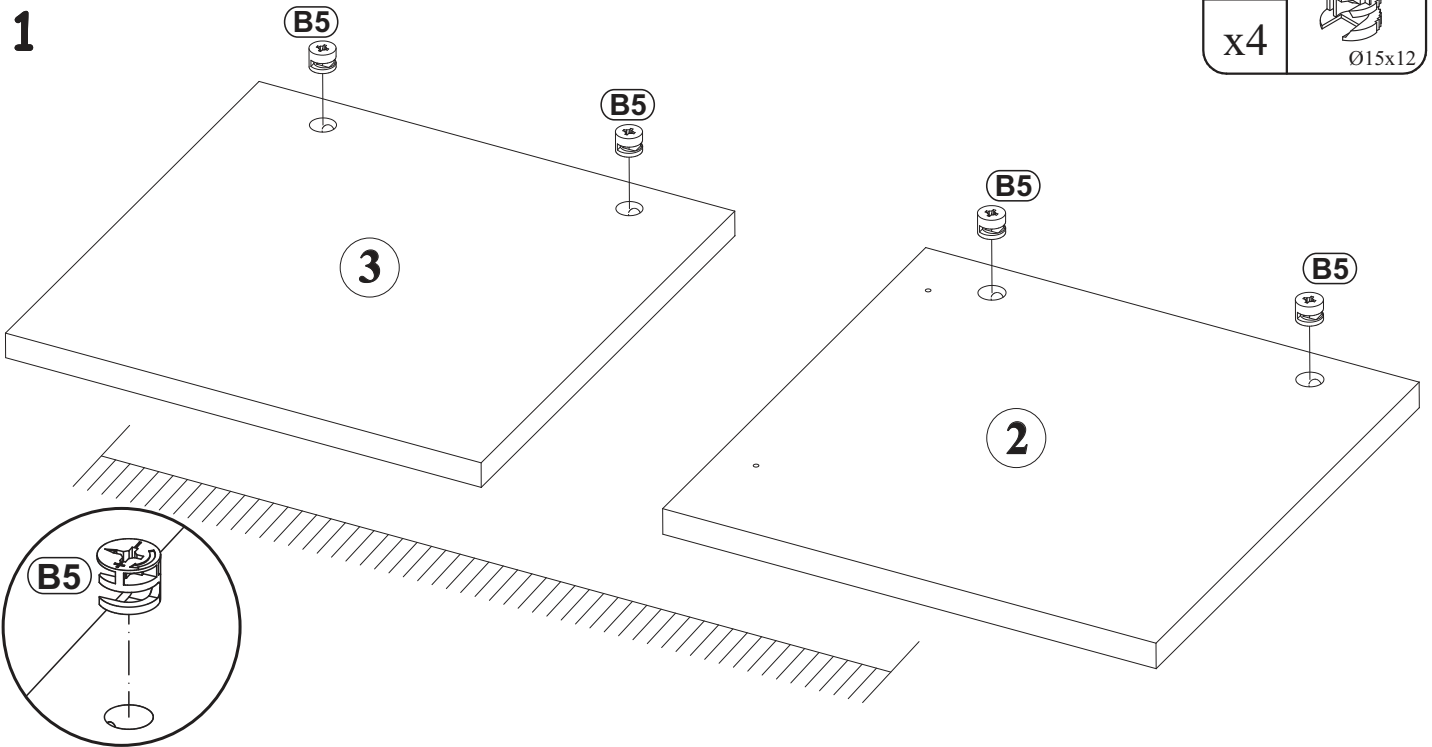


B5

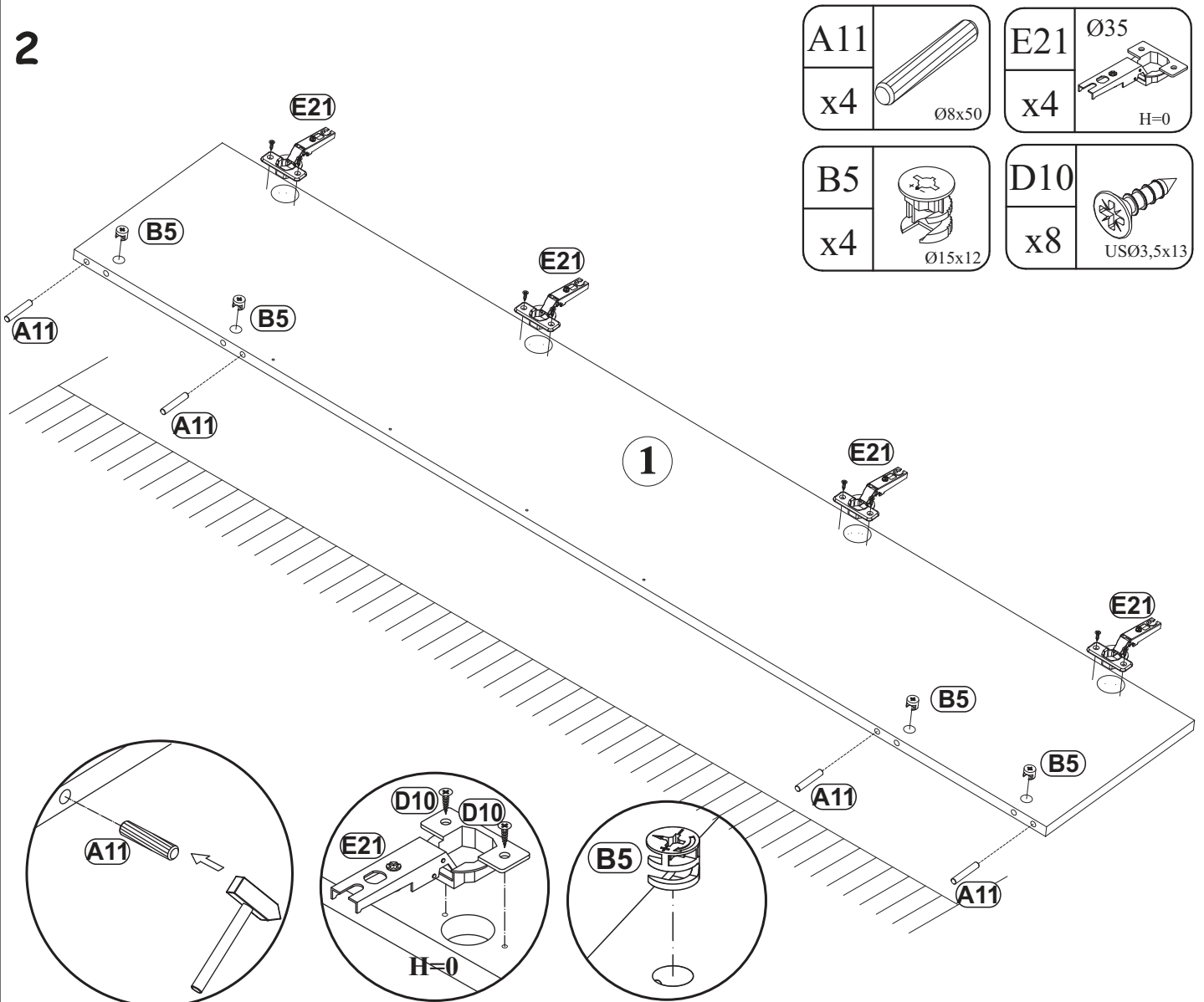
x4



1

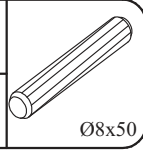


2



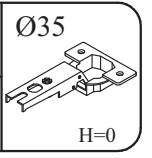
A11

x4



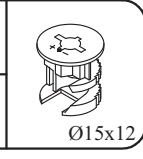
E21

x4



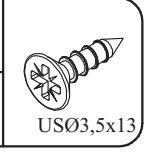
B5

x4





D10


x8

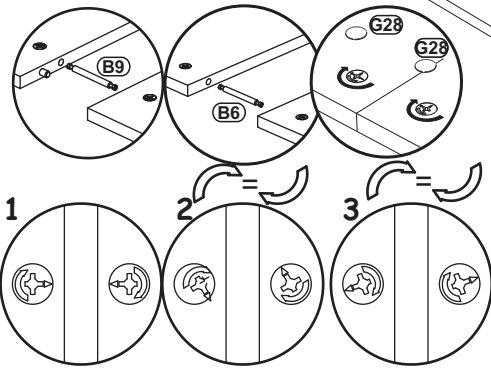
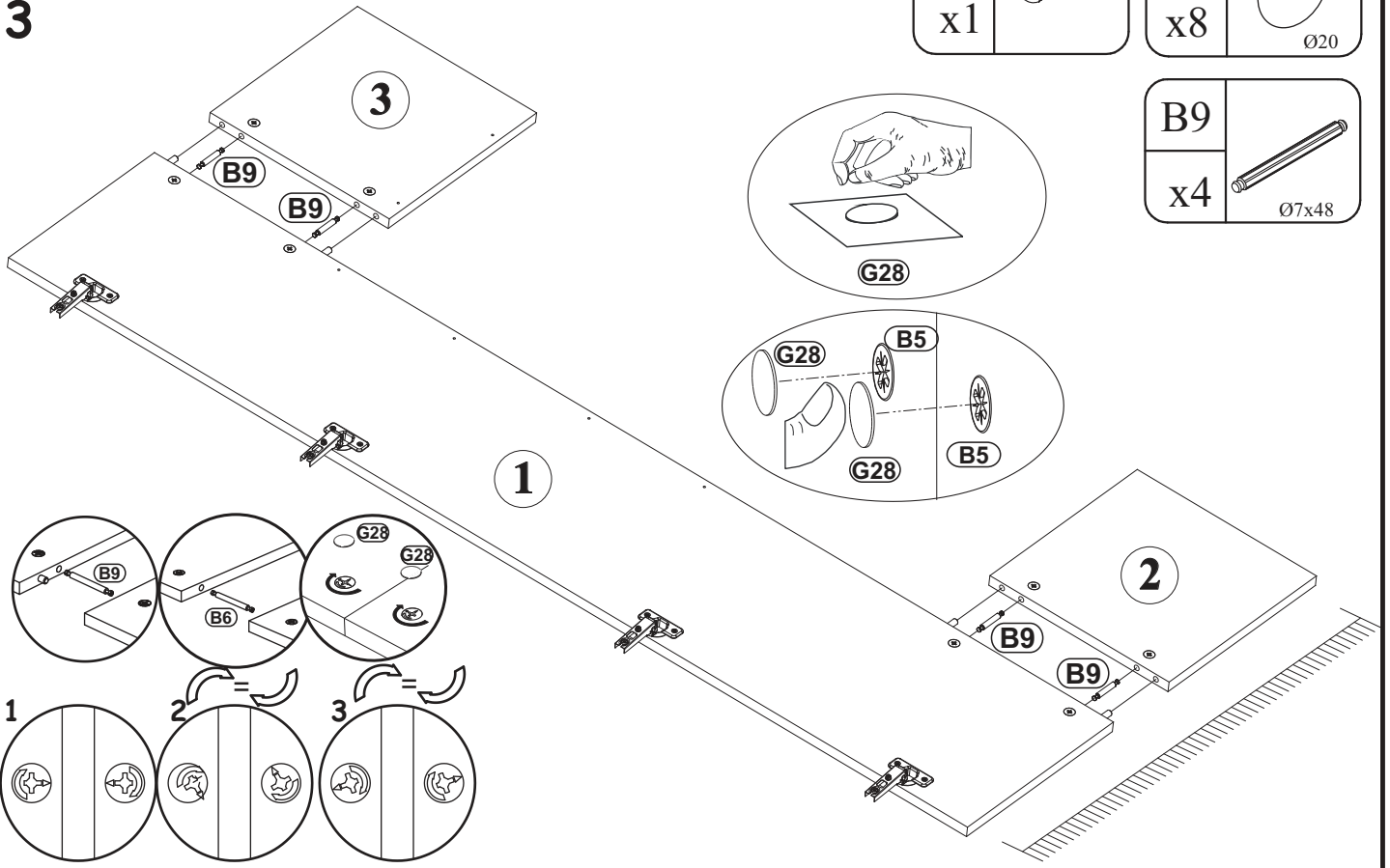


3


G2	
x1	


G28	
x8	Ø20

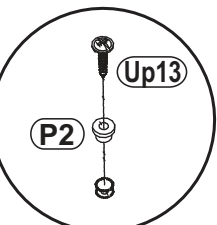
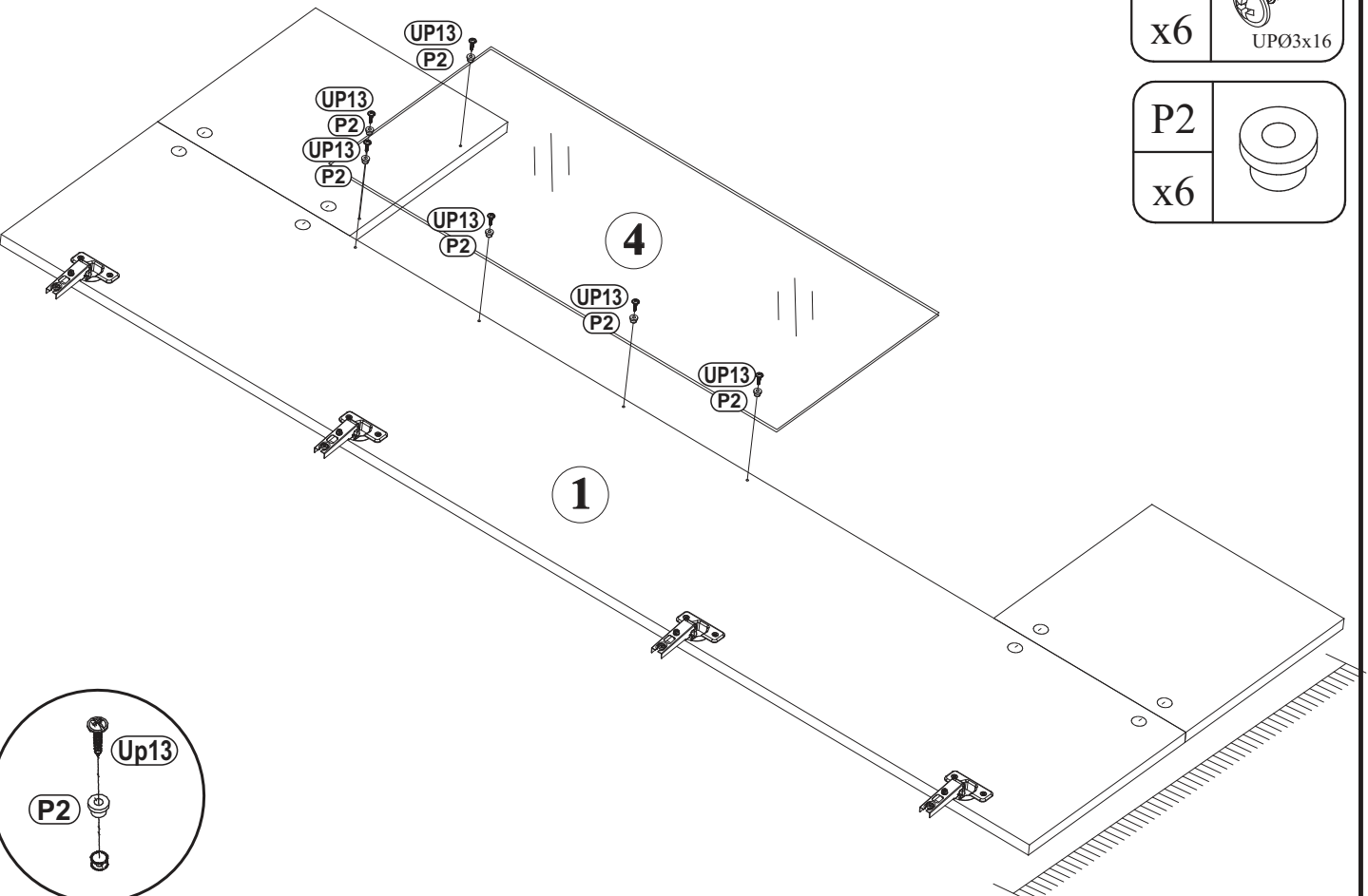
B9	
x4	Ø7x48



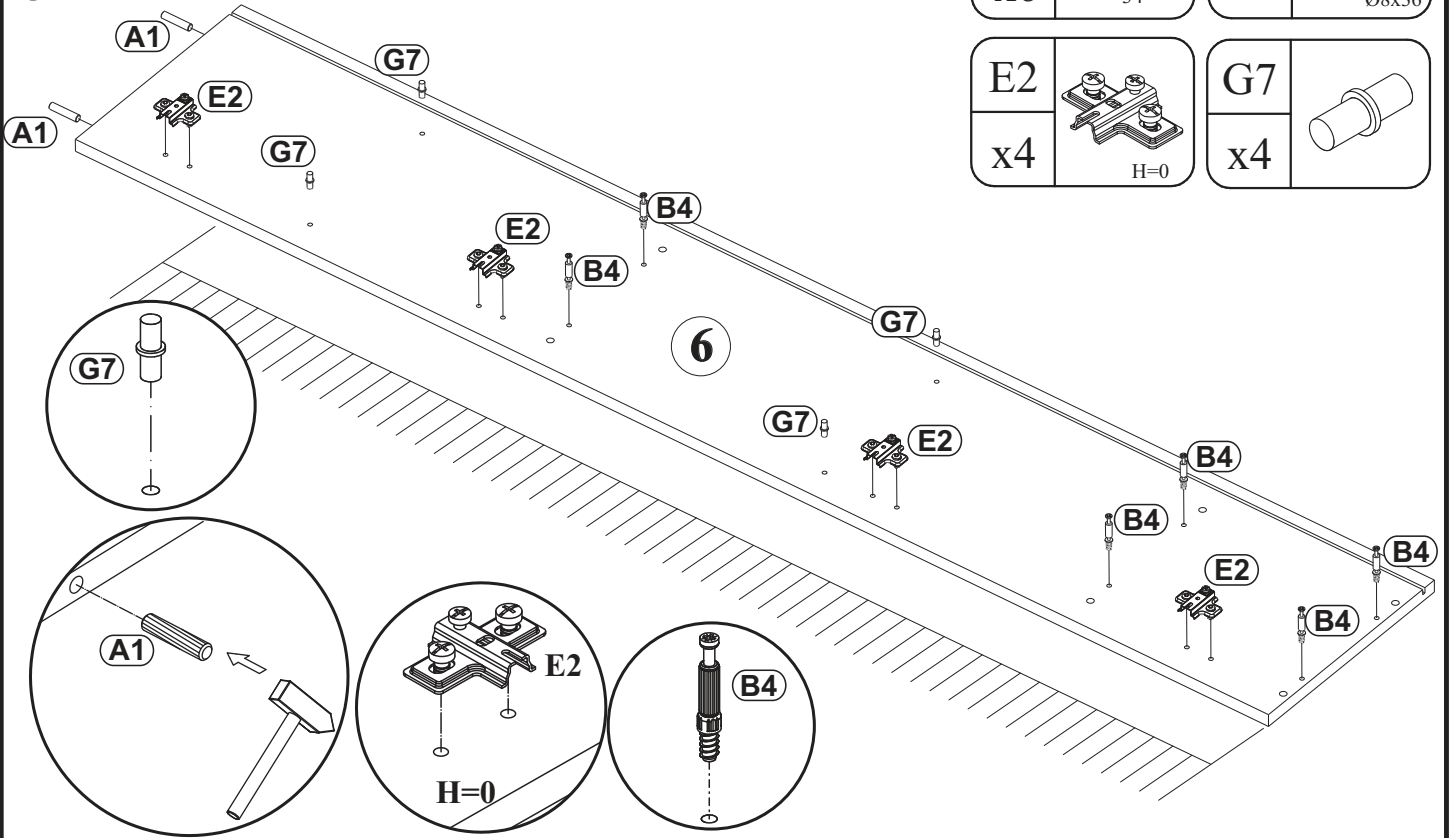
4

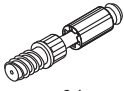
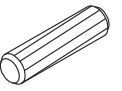
UP13	
x6	UPØ3x16

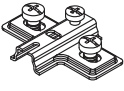
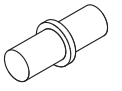
P2	
x6	



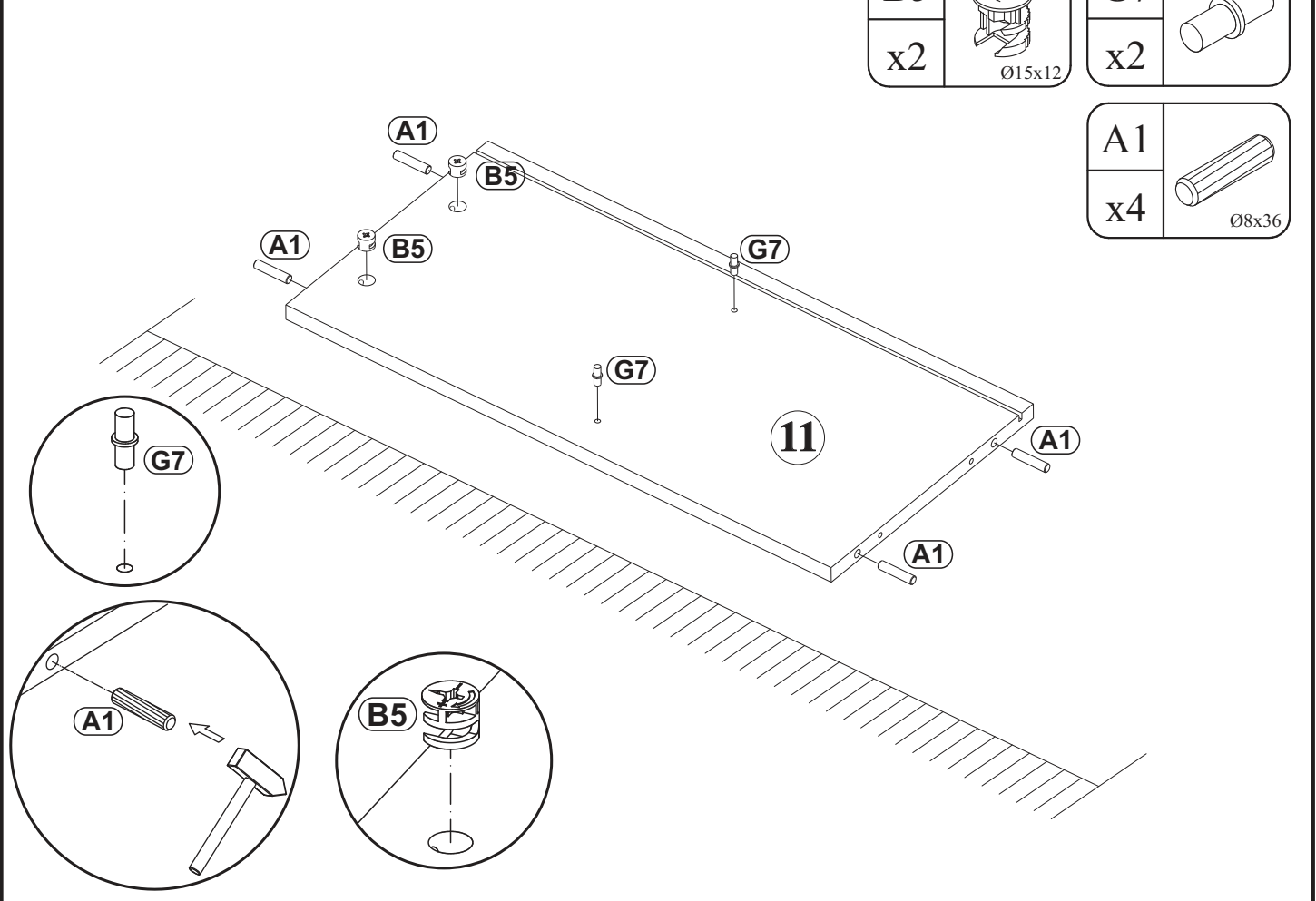
5


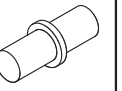


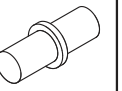
B4		A1	
x6	34	x2	Ø8x36



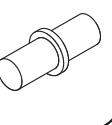
E2		G7	
x4	H=0	x4	

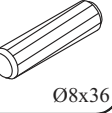
6

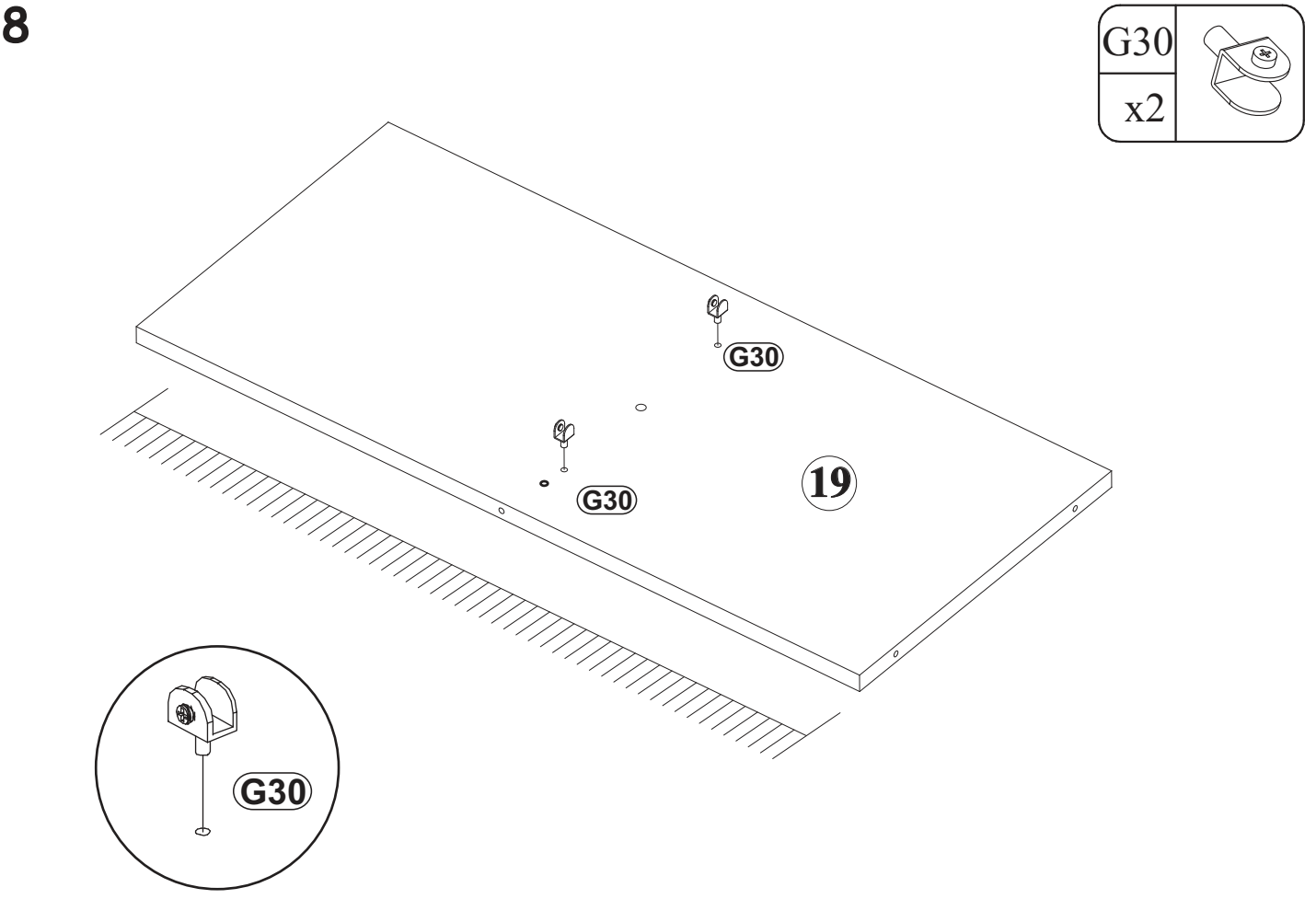
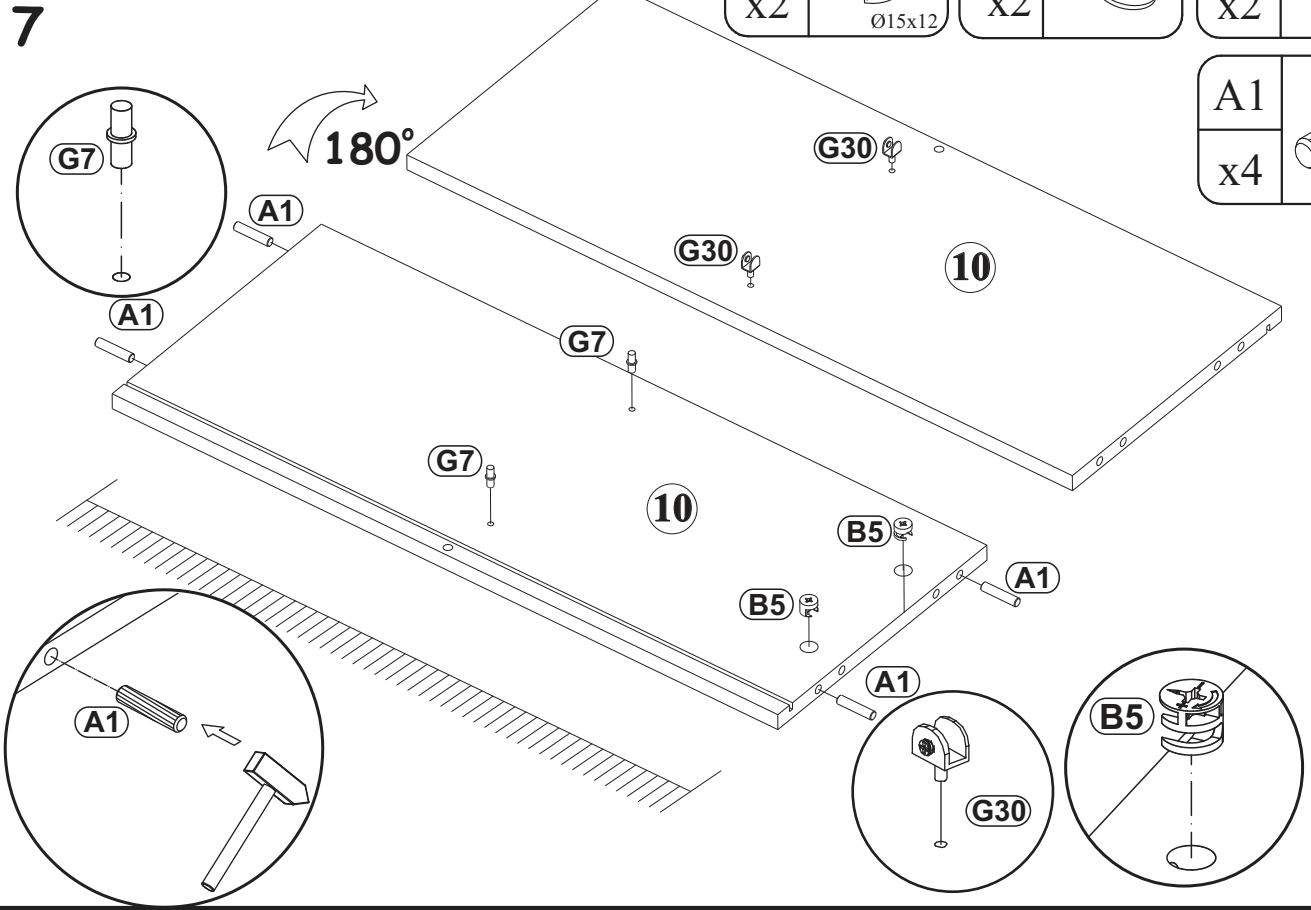



B5		G7	
x2	Ø15x12	x2	

A1	
x4	Ø8x36

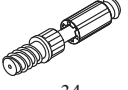
B5		G30		G7	
x2	Ø15x12	x2		x2	

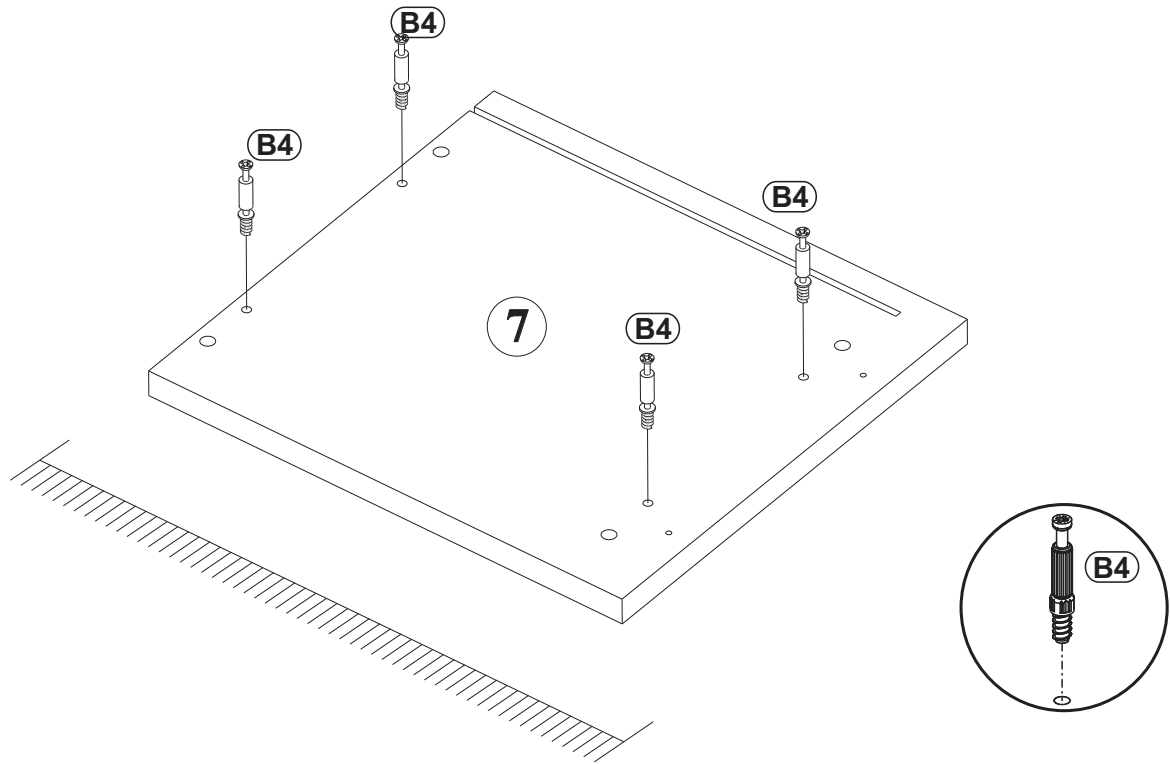
A1	
x4	Ø8x36



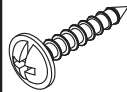
G30	
x2	

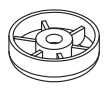
9

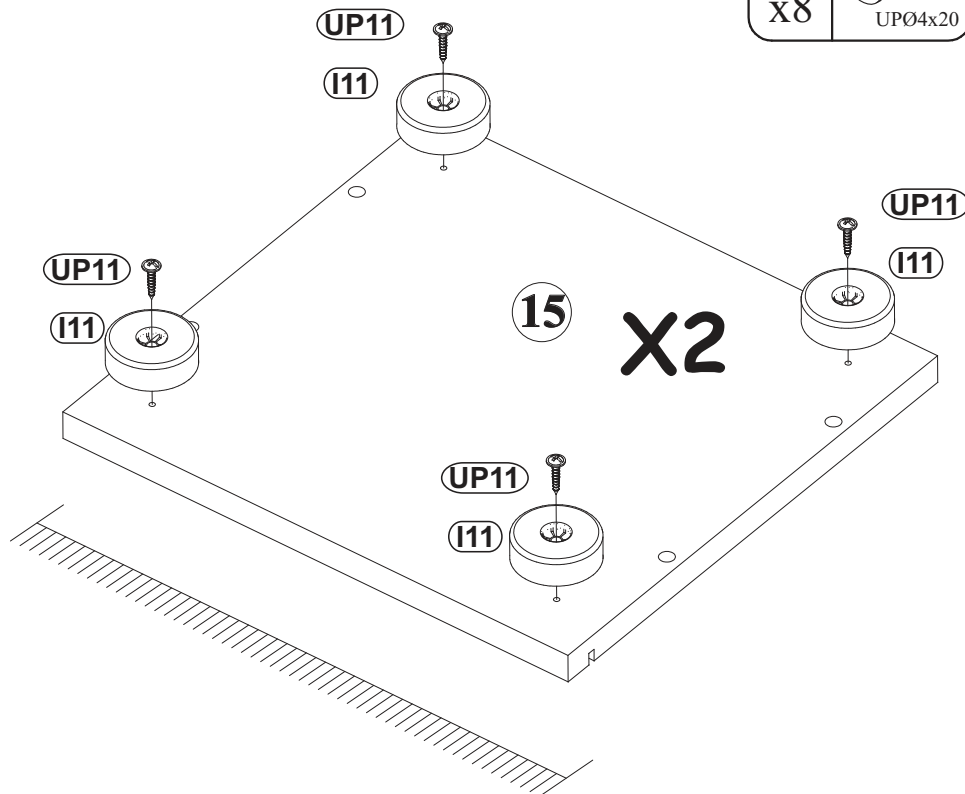
B4	
x4	34




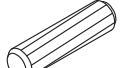
10

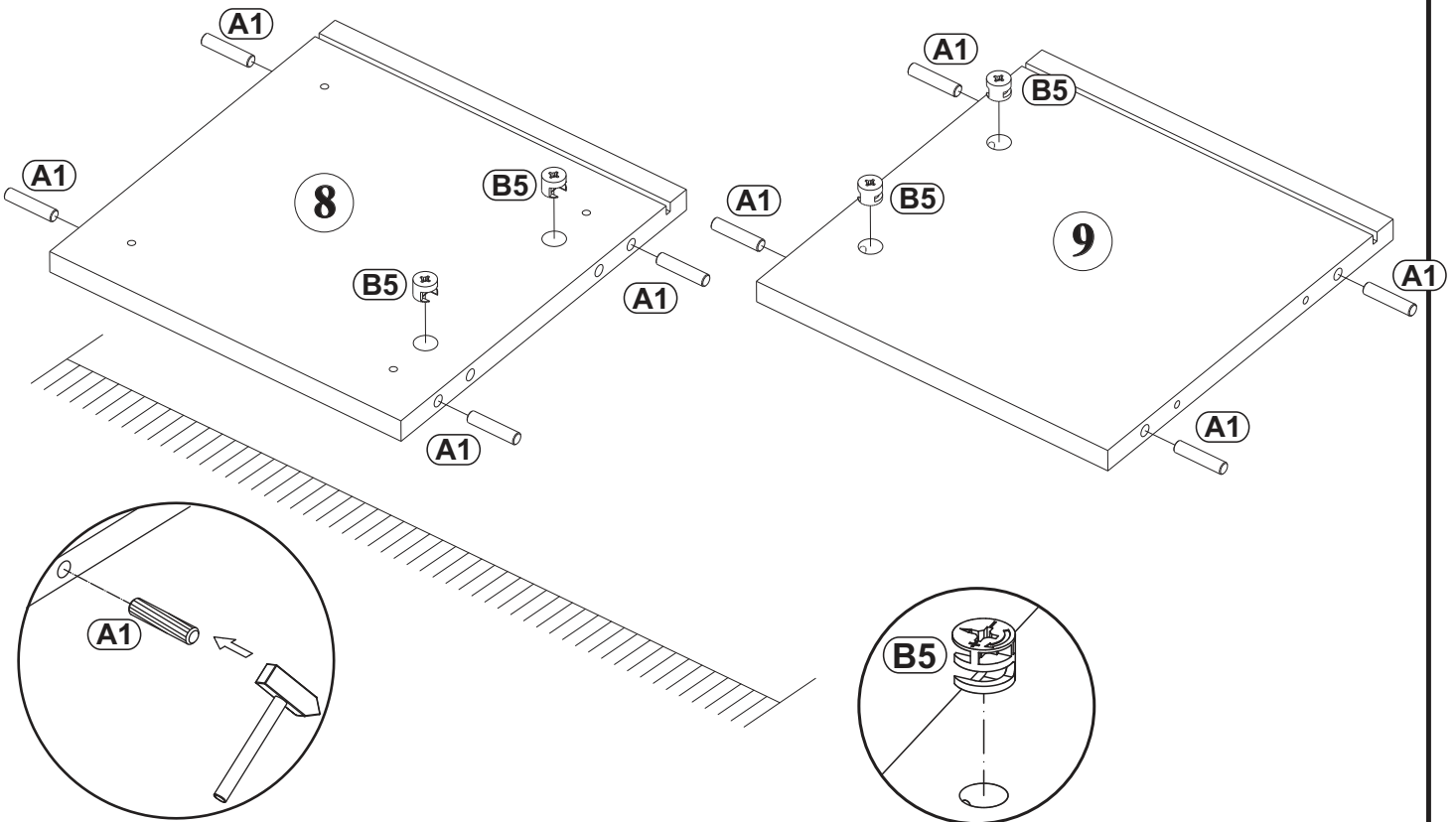
UP11	
x8	UPØ4x20

I11	
x8	Ø45, h=15



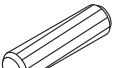
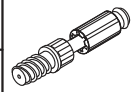


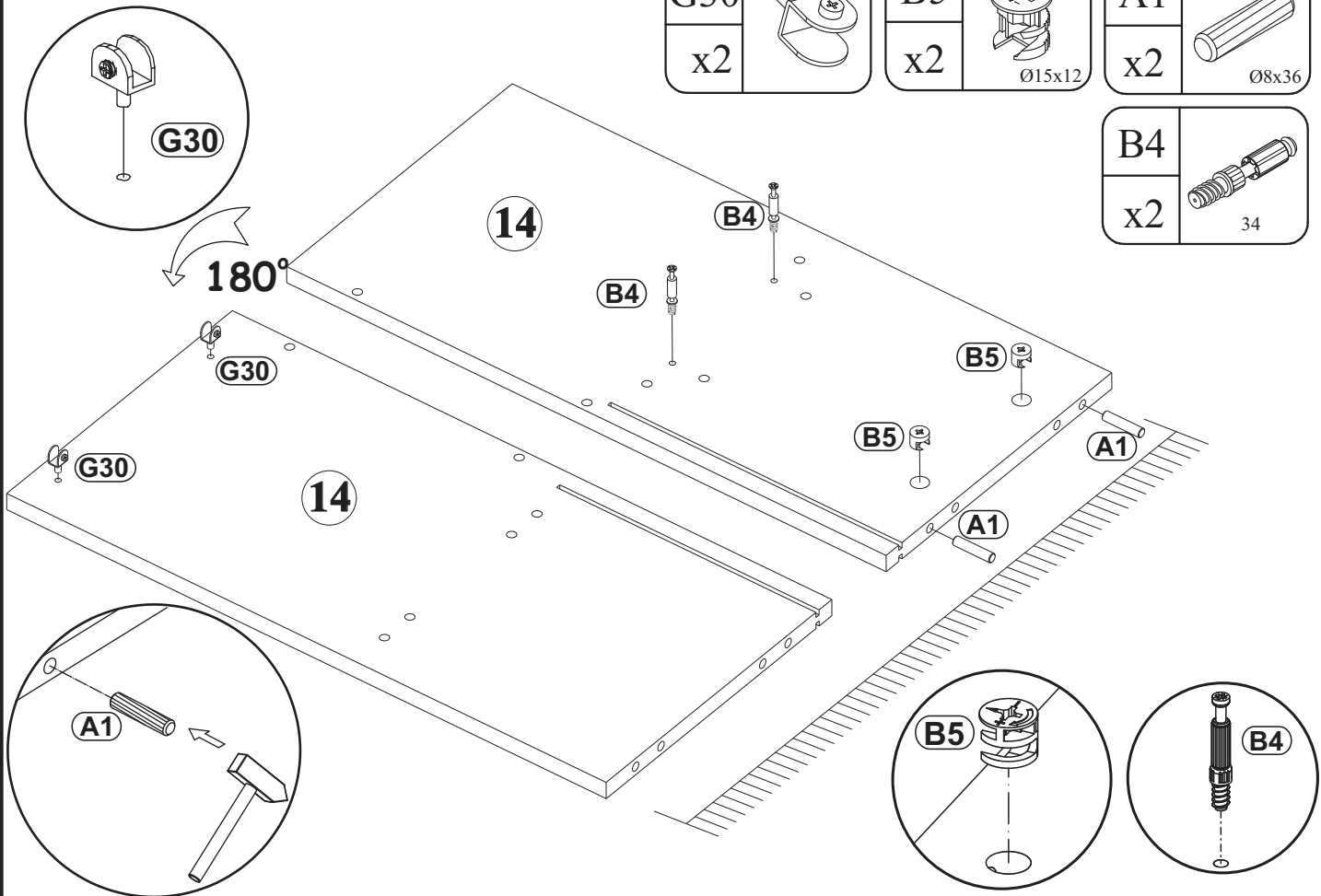
11

B5		A1	
x4	Ø15x12	x8	Ø8x36

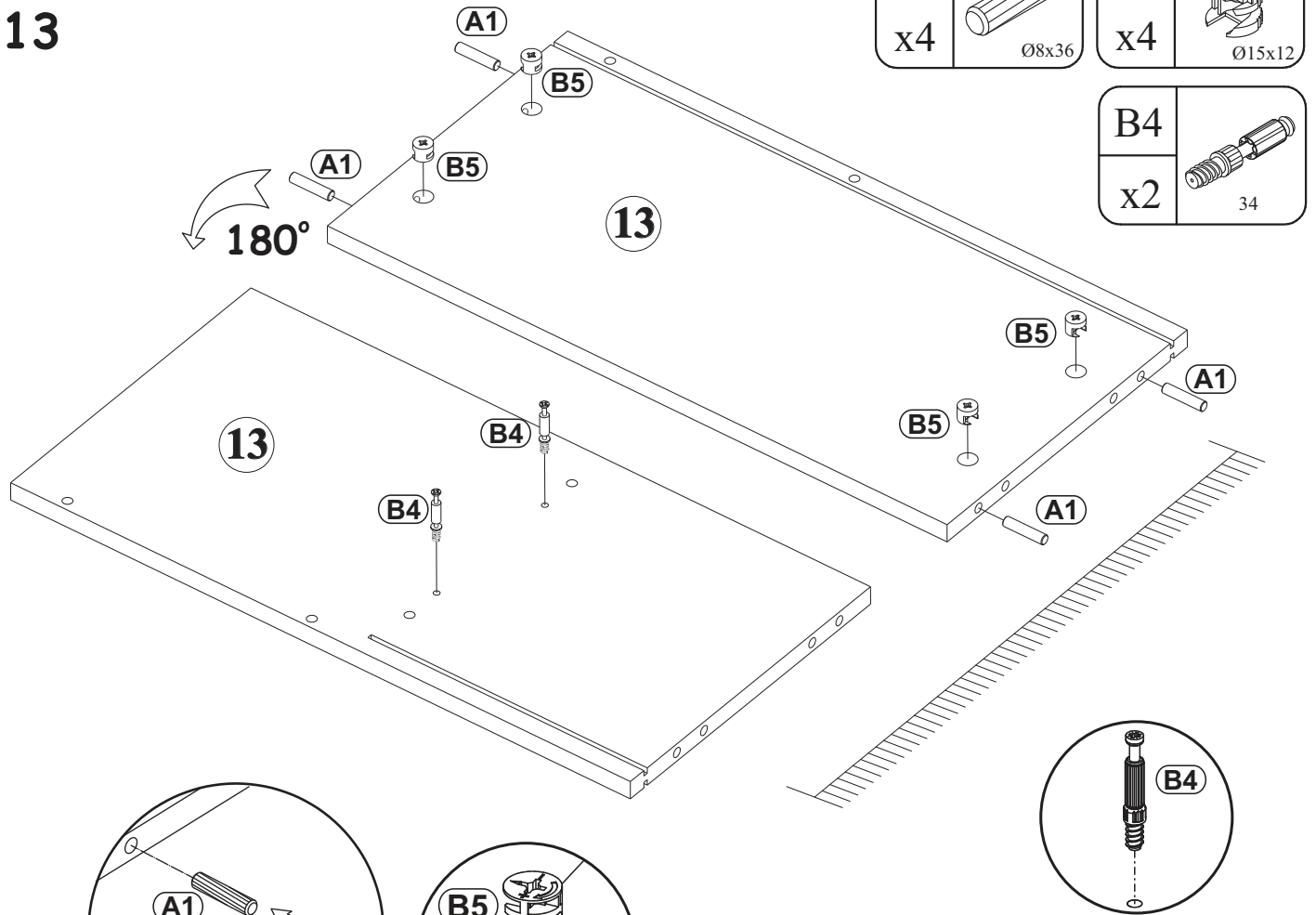


12

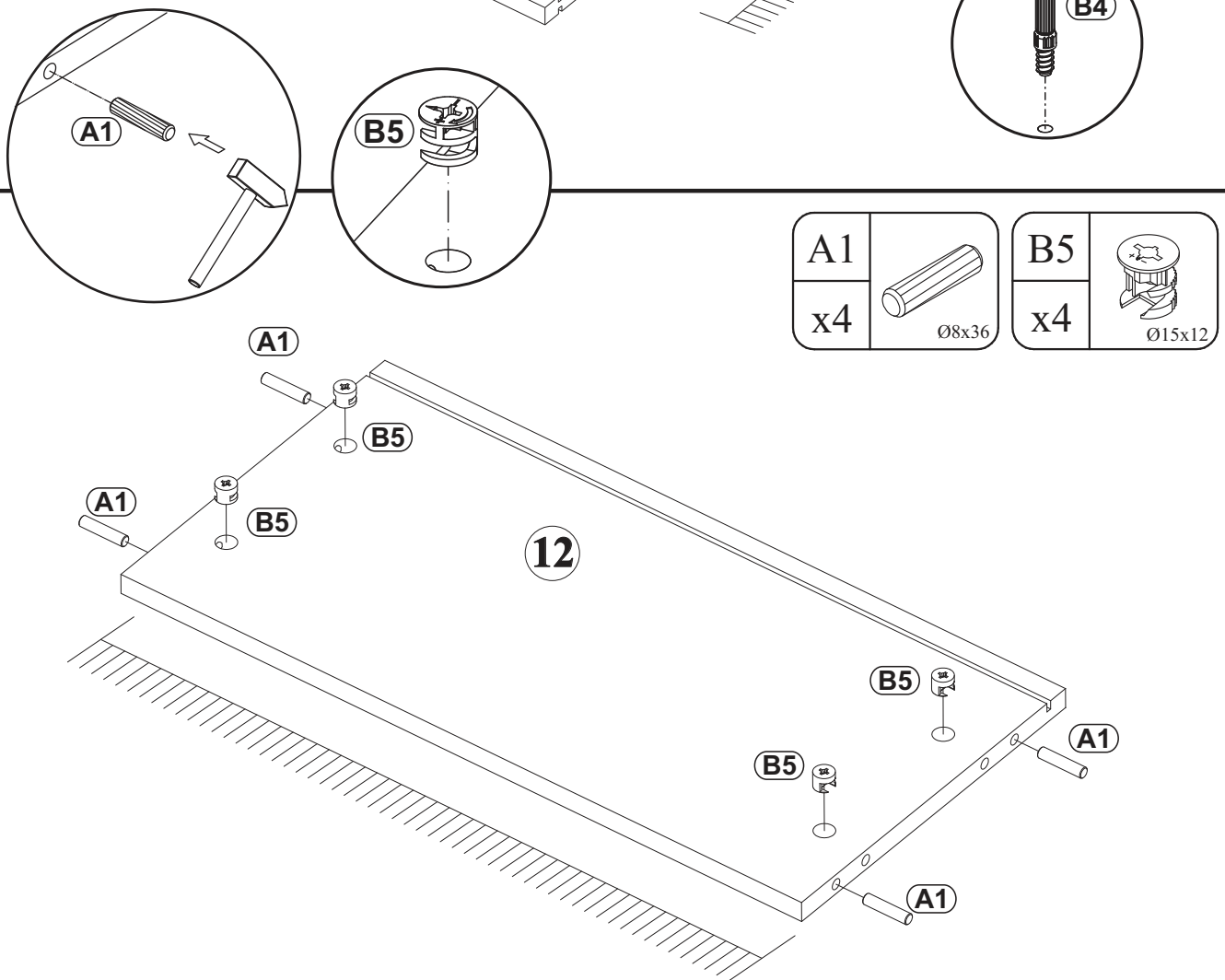
G30		B5		A1	
x2		x2	Ø15x12	x2	Ø8x36
		B4			
		x2	34		



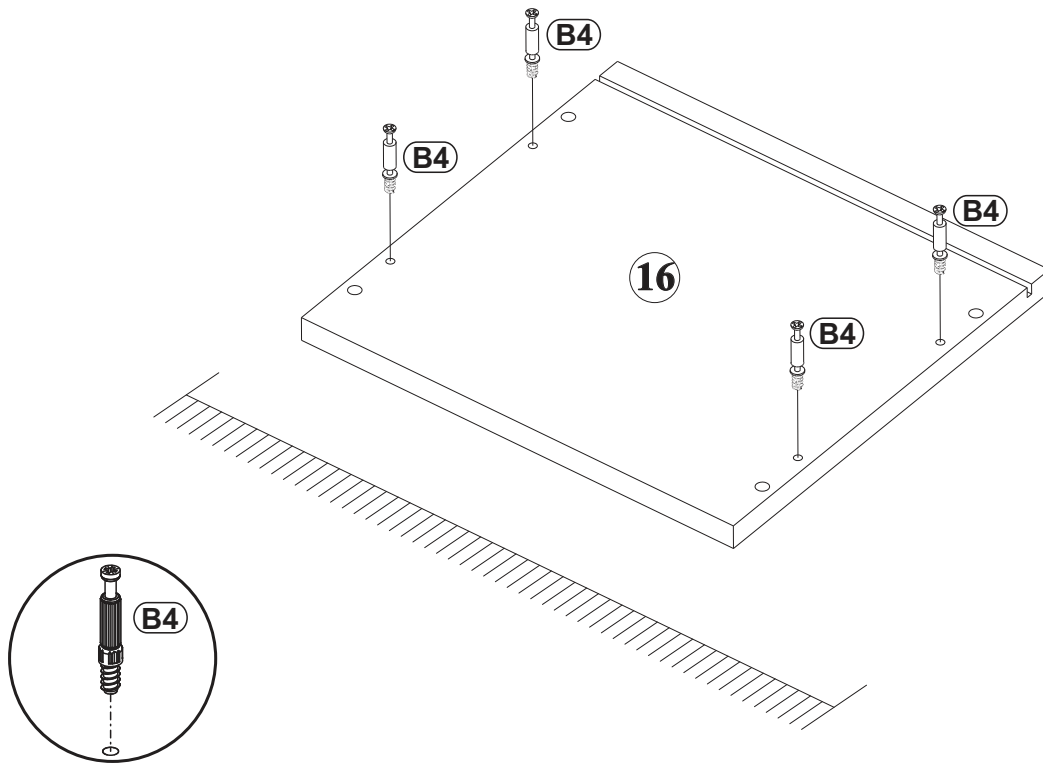
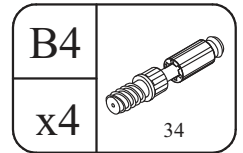
13



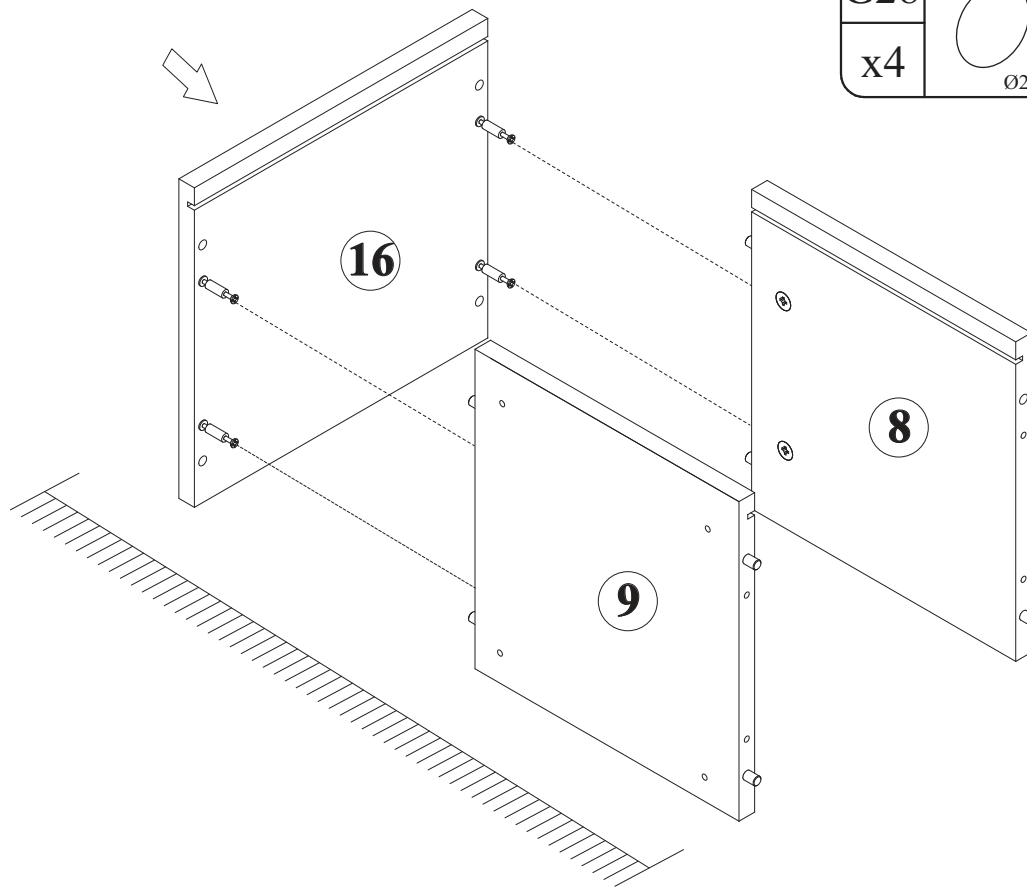
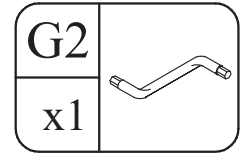
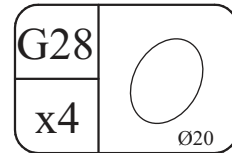
14



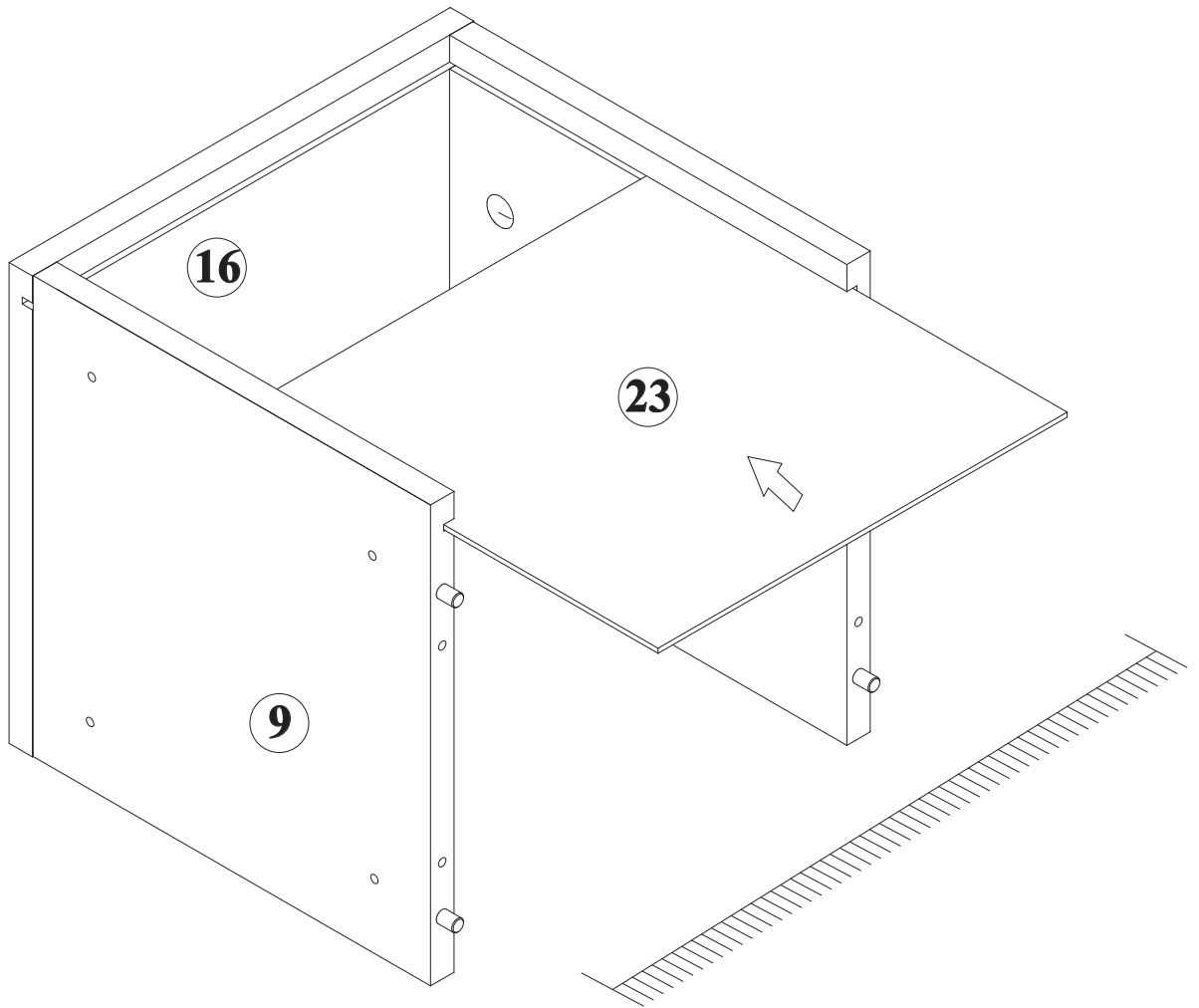
15



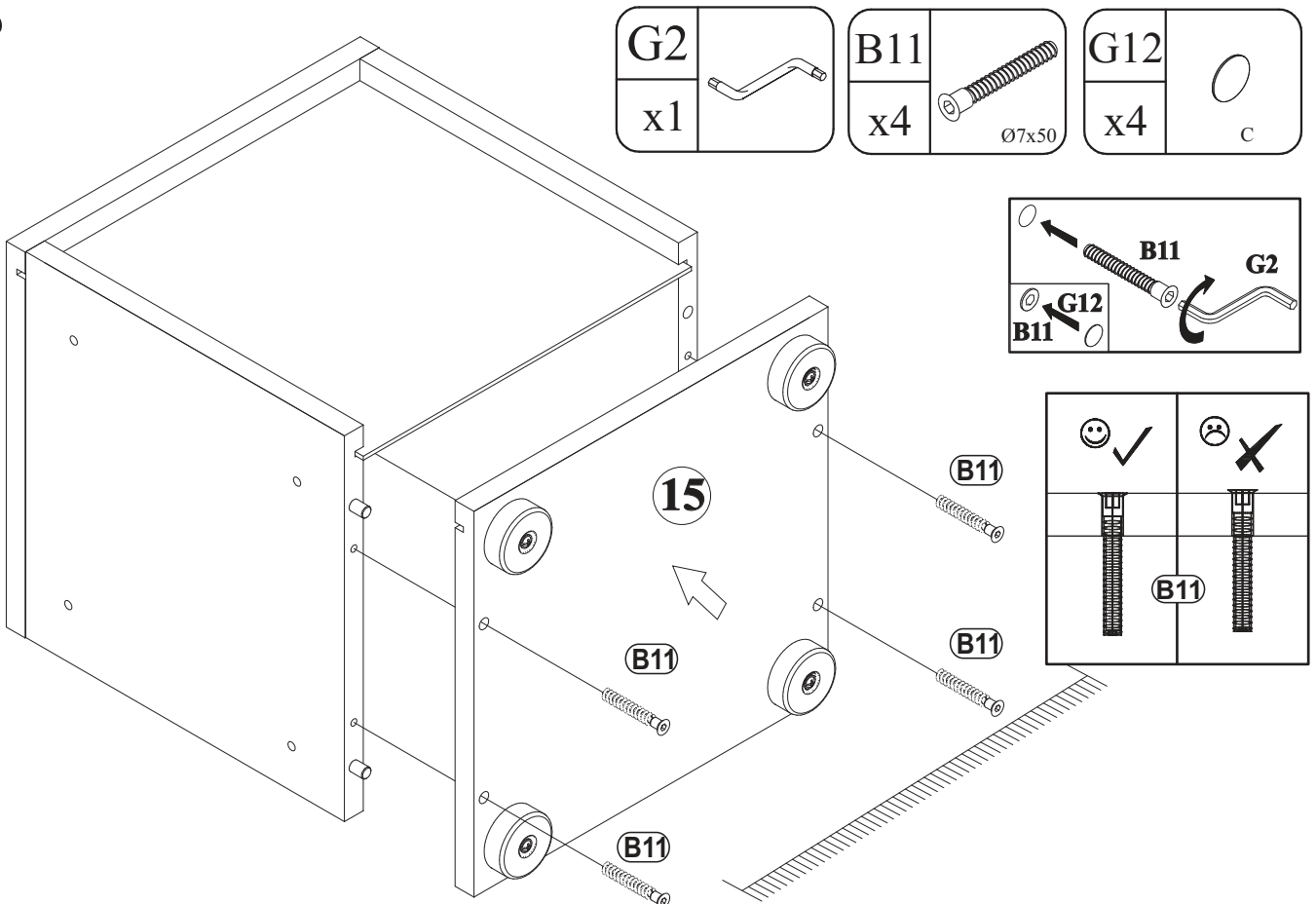
16



17



18

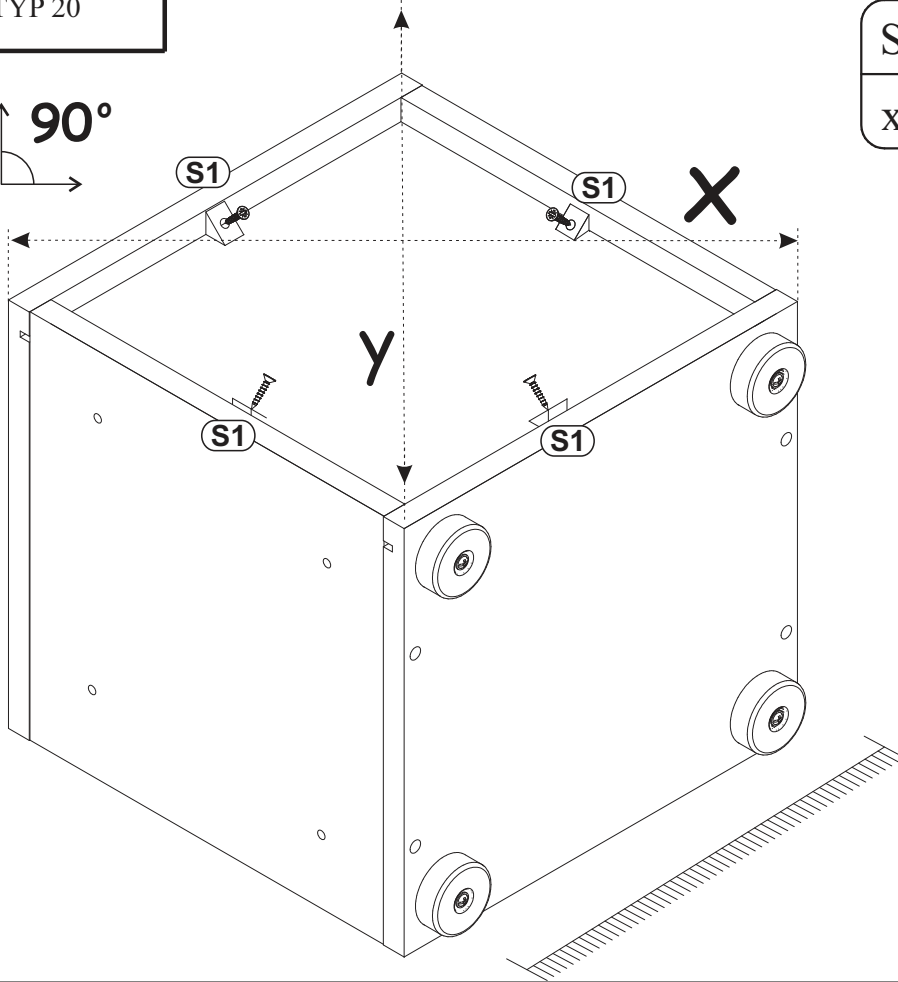


19

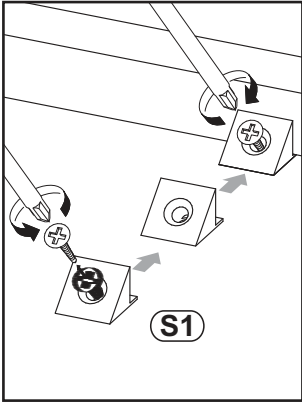


$X=Y$

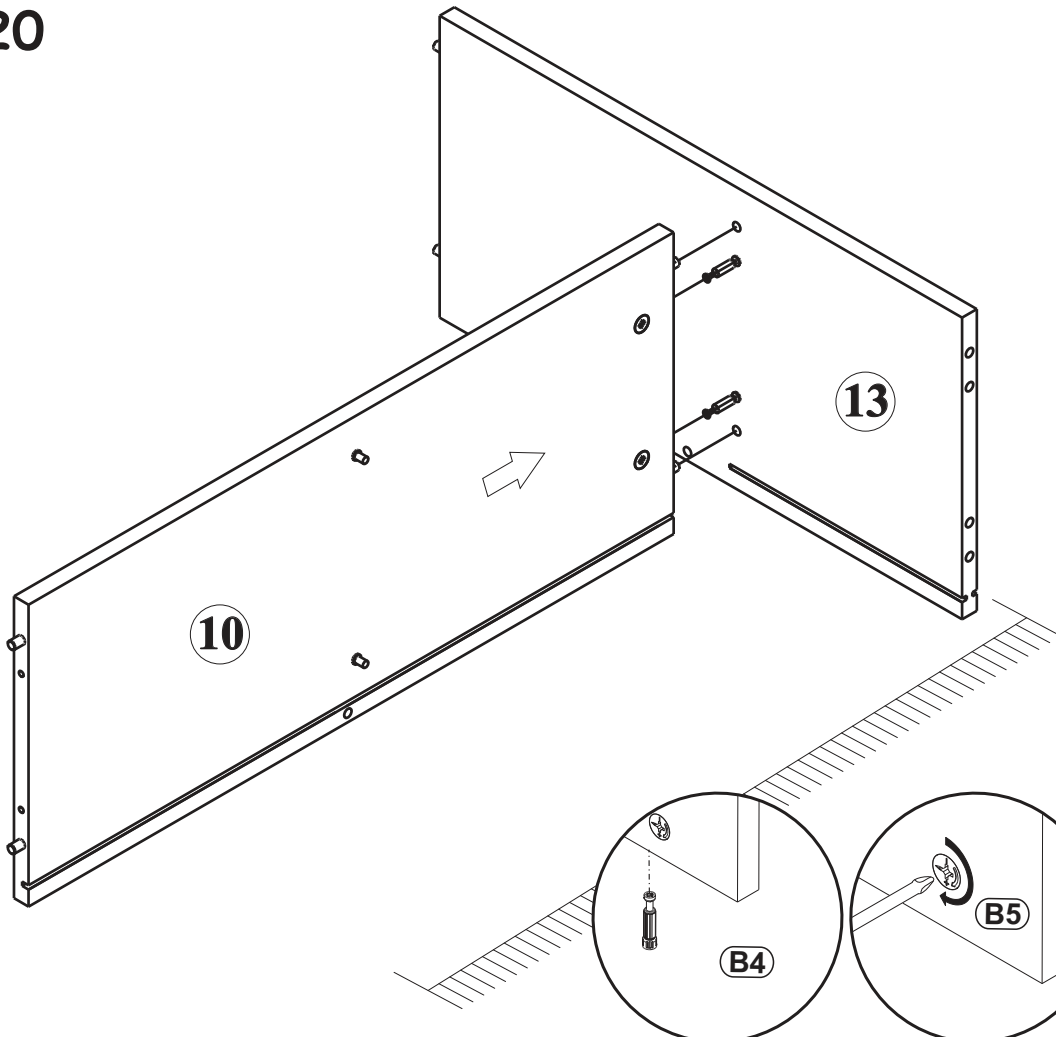
90°



S1	
x4	

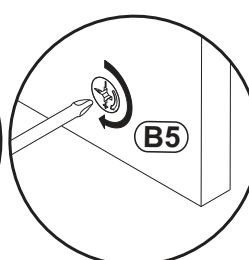
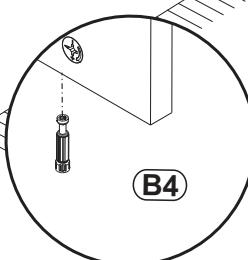



20





G28	
x2	Ø20

G2	
x1	

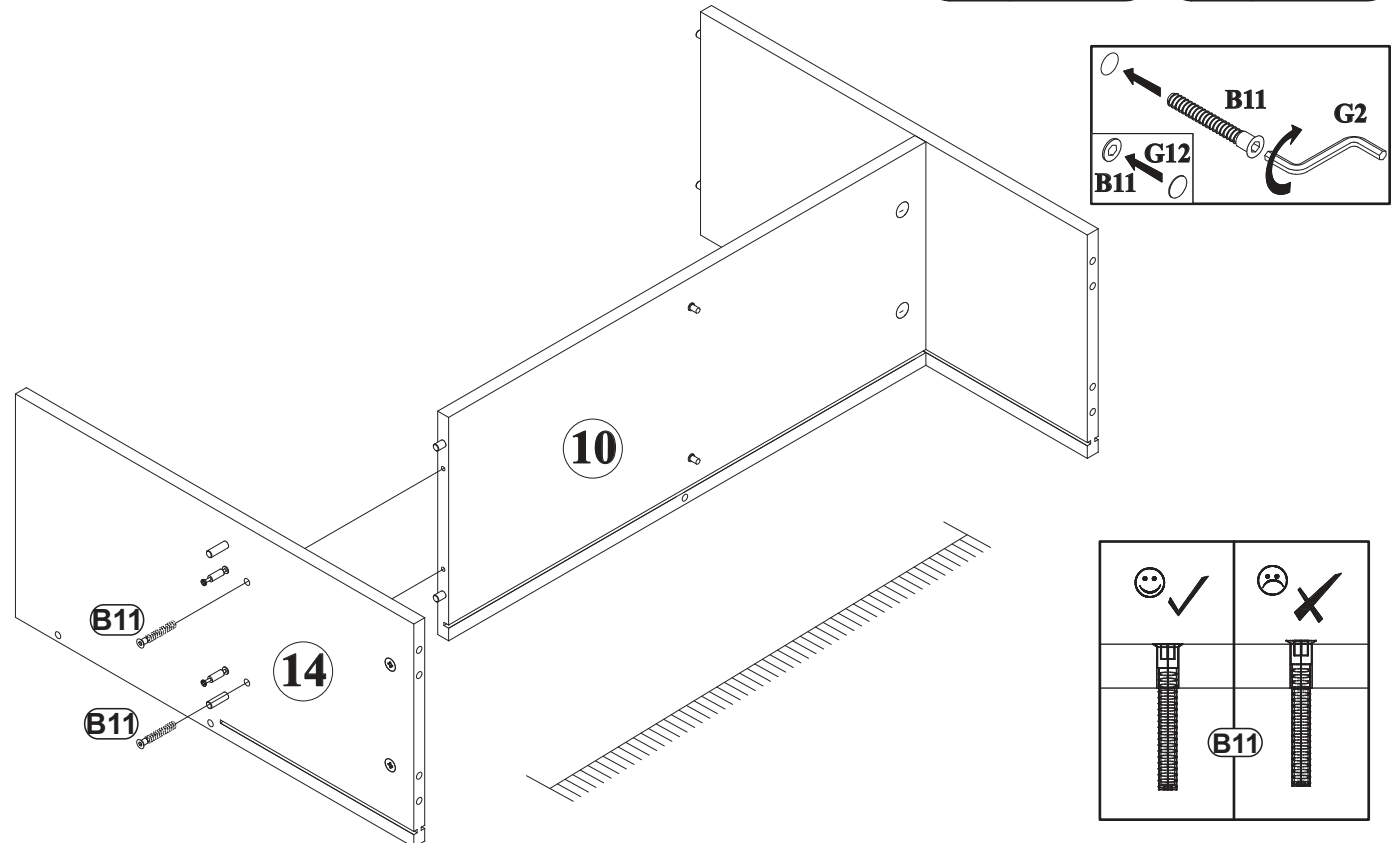


G2	
x1	

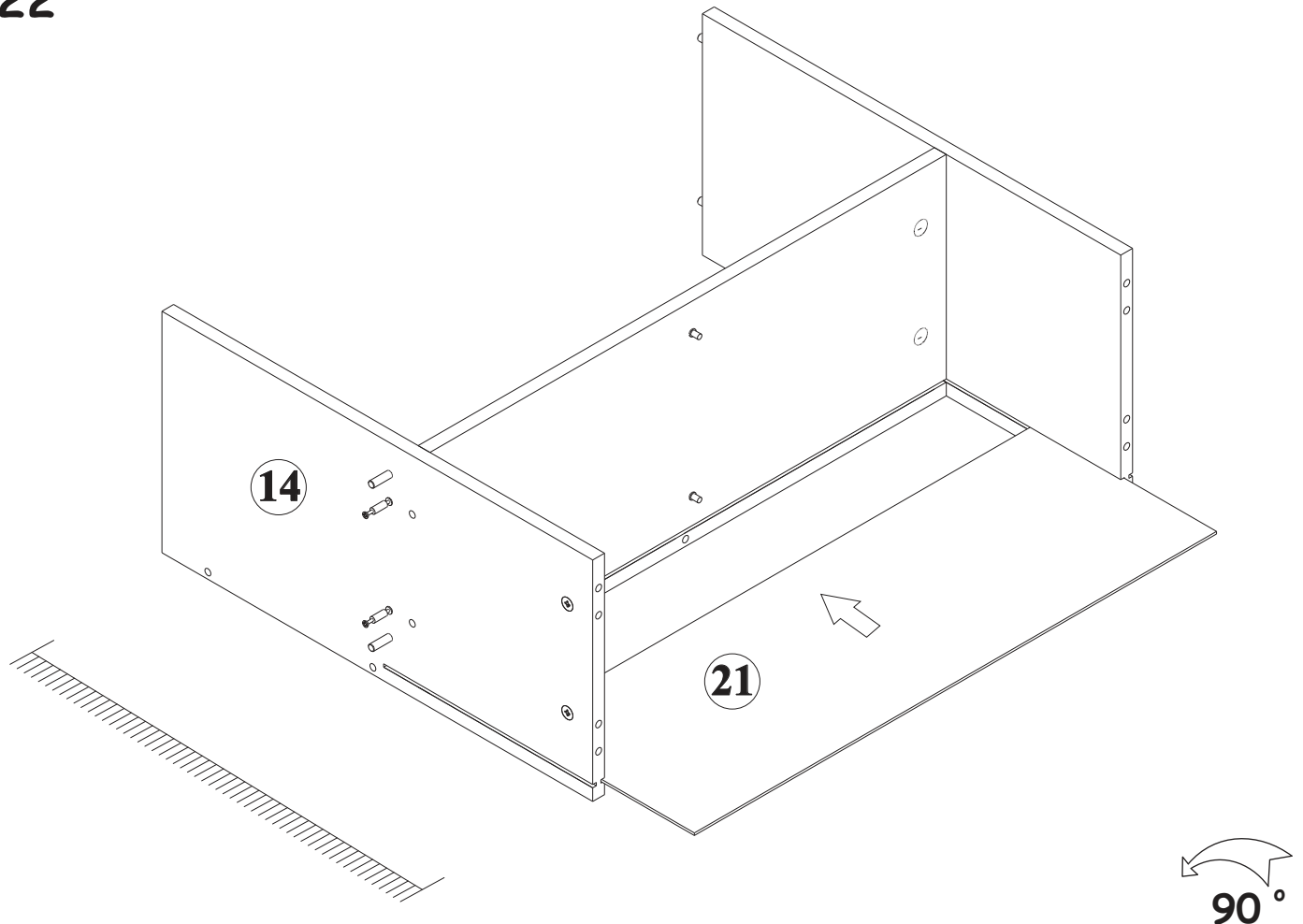
B11	
x2	Ø7x50

G12	
x2	c


21

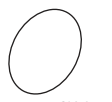


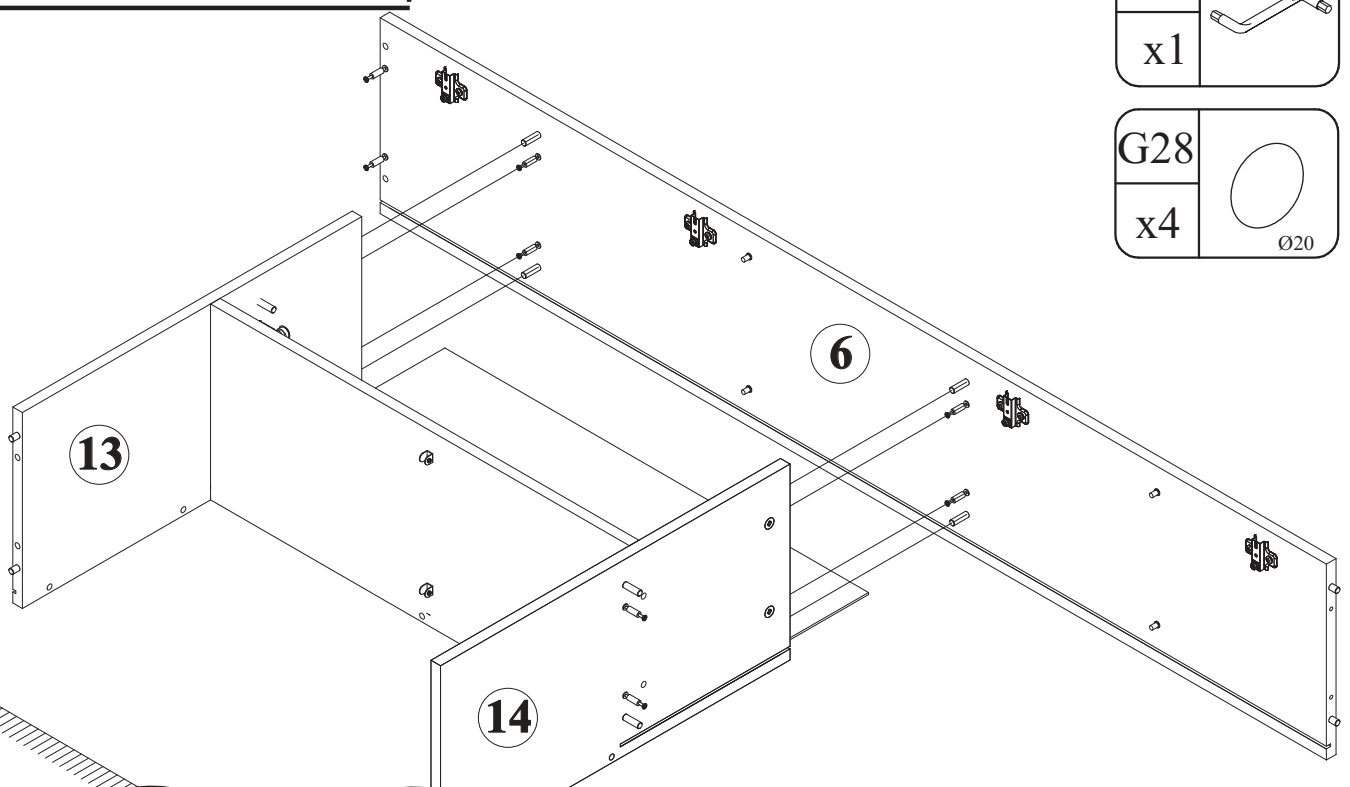
22




23

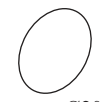
G2	
x1	

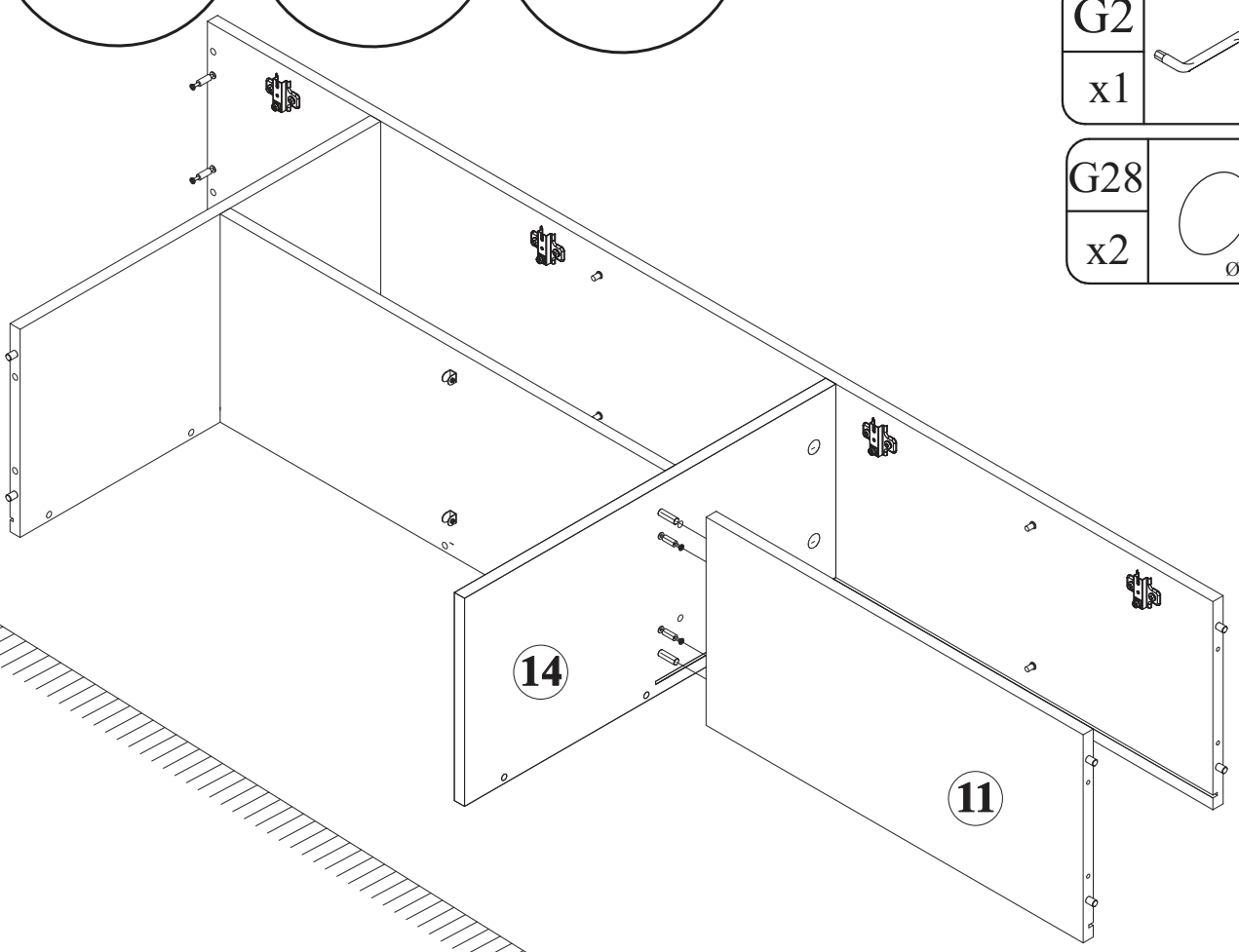
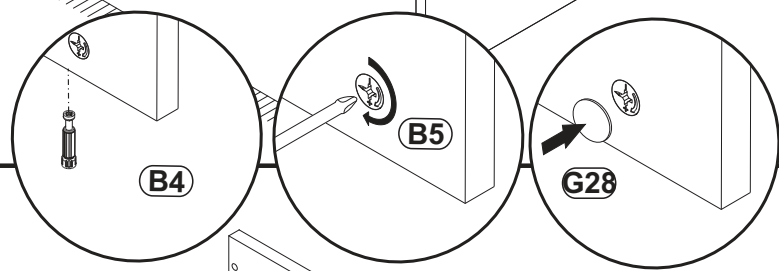
G28	
x4	Ø20



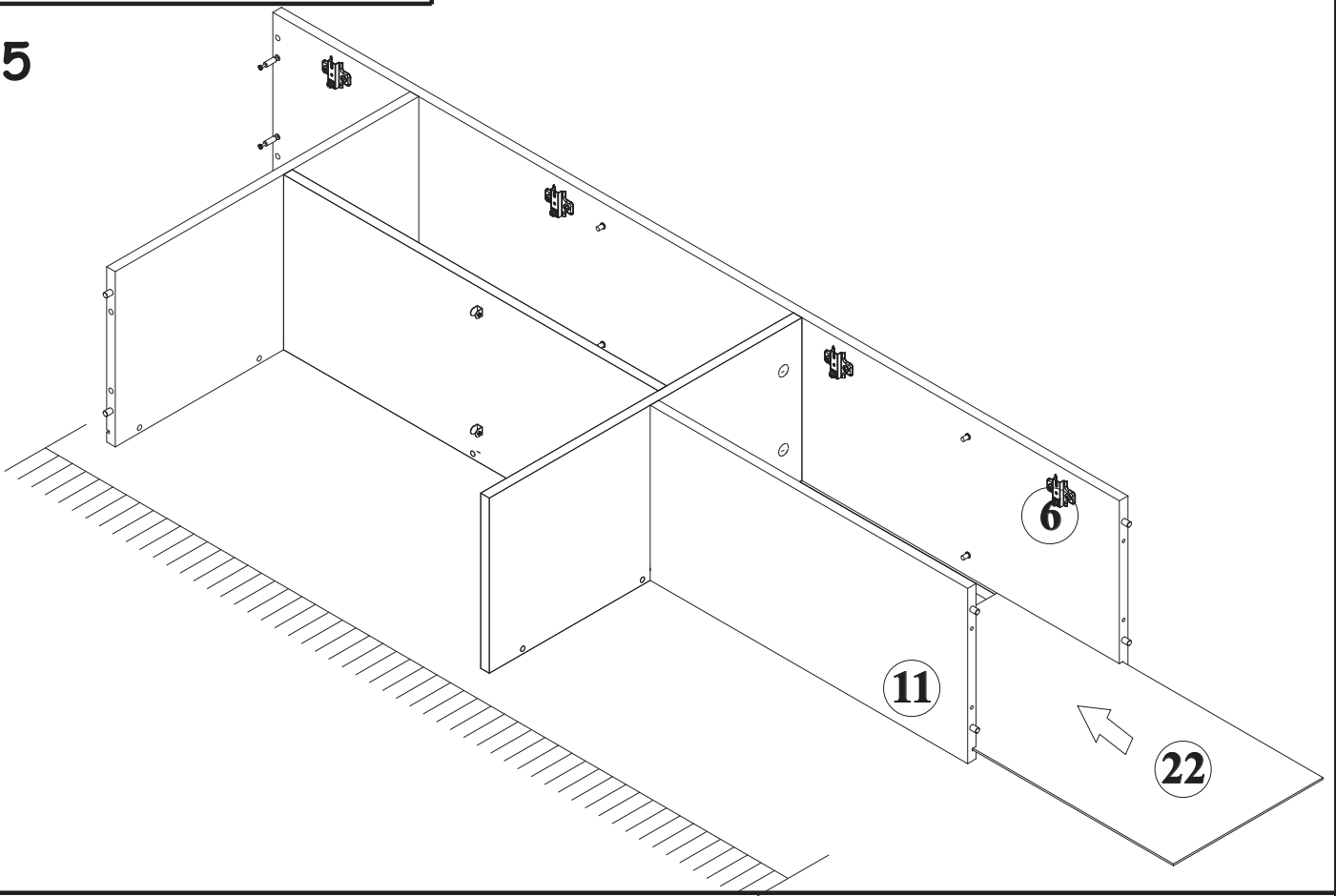
24

G2	
x1	

G28	
x2	Ø20

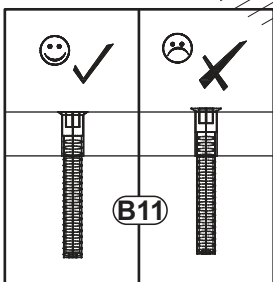
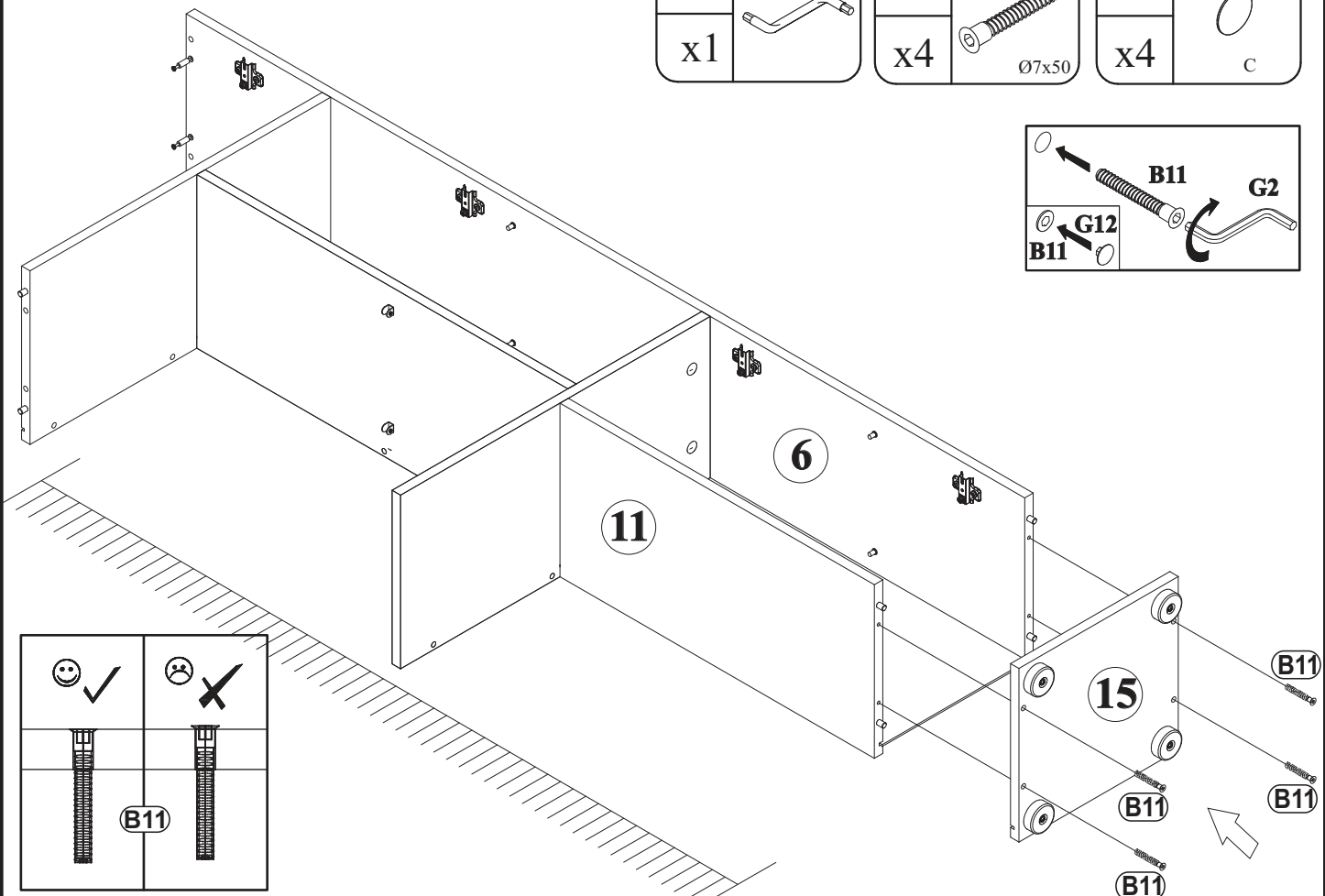
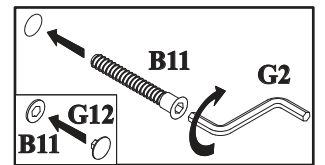


25




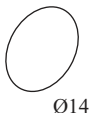
26


G2		B11		G12	
x1		x4	Ø7x50	x4	c




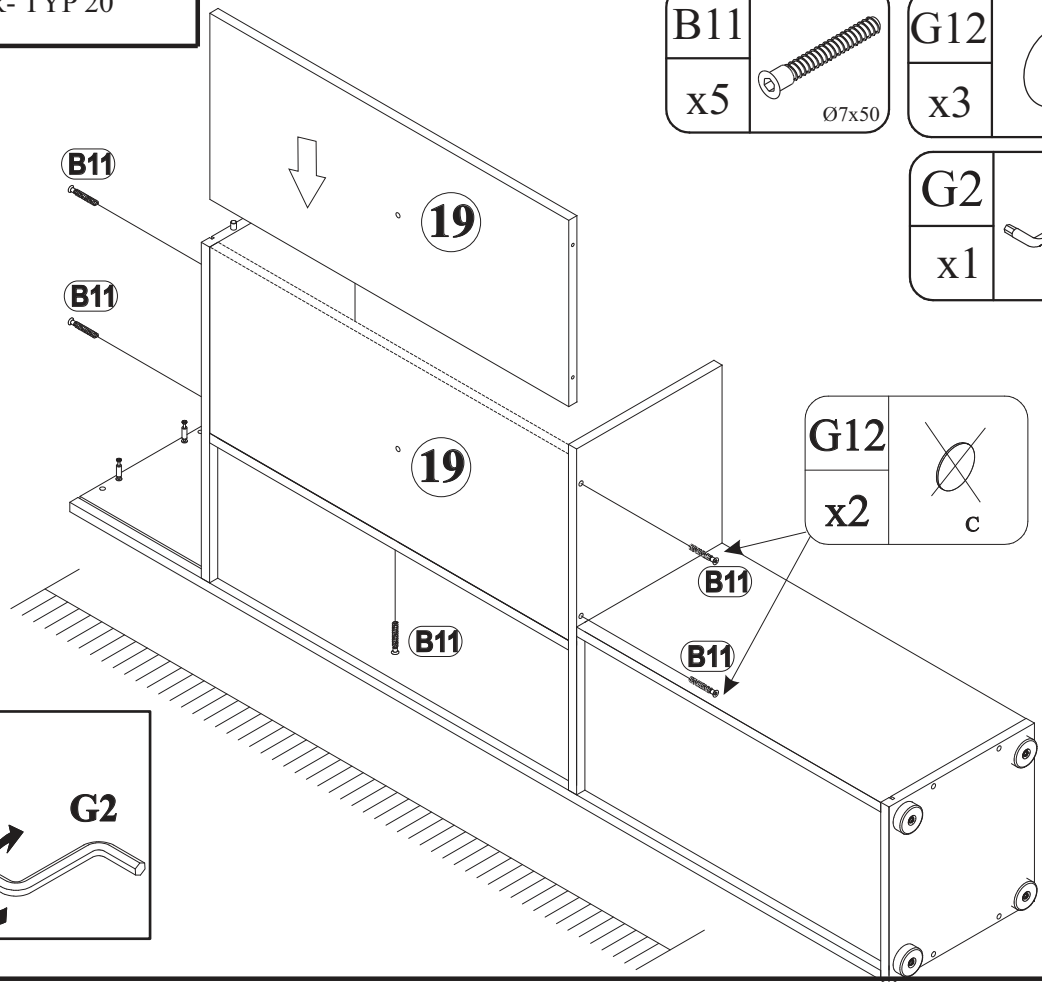
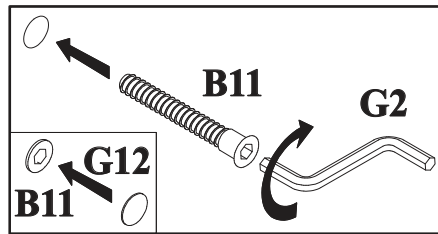
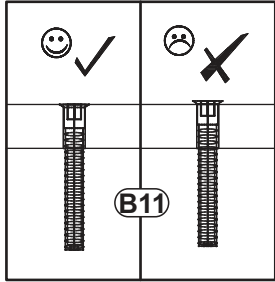
27  90°

B11	
x5	Ø7x50


G12	
x3	Ø14

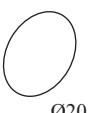
G2	
x1	

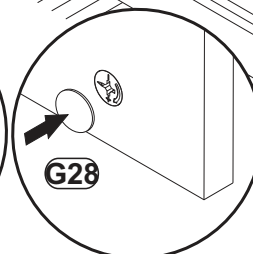
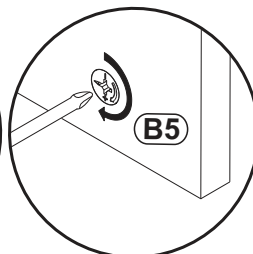
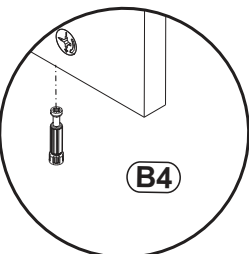
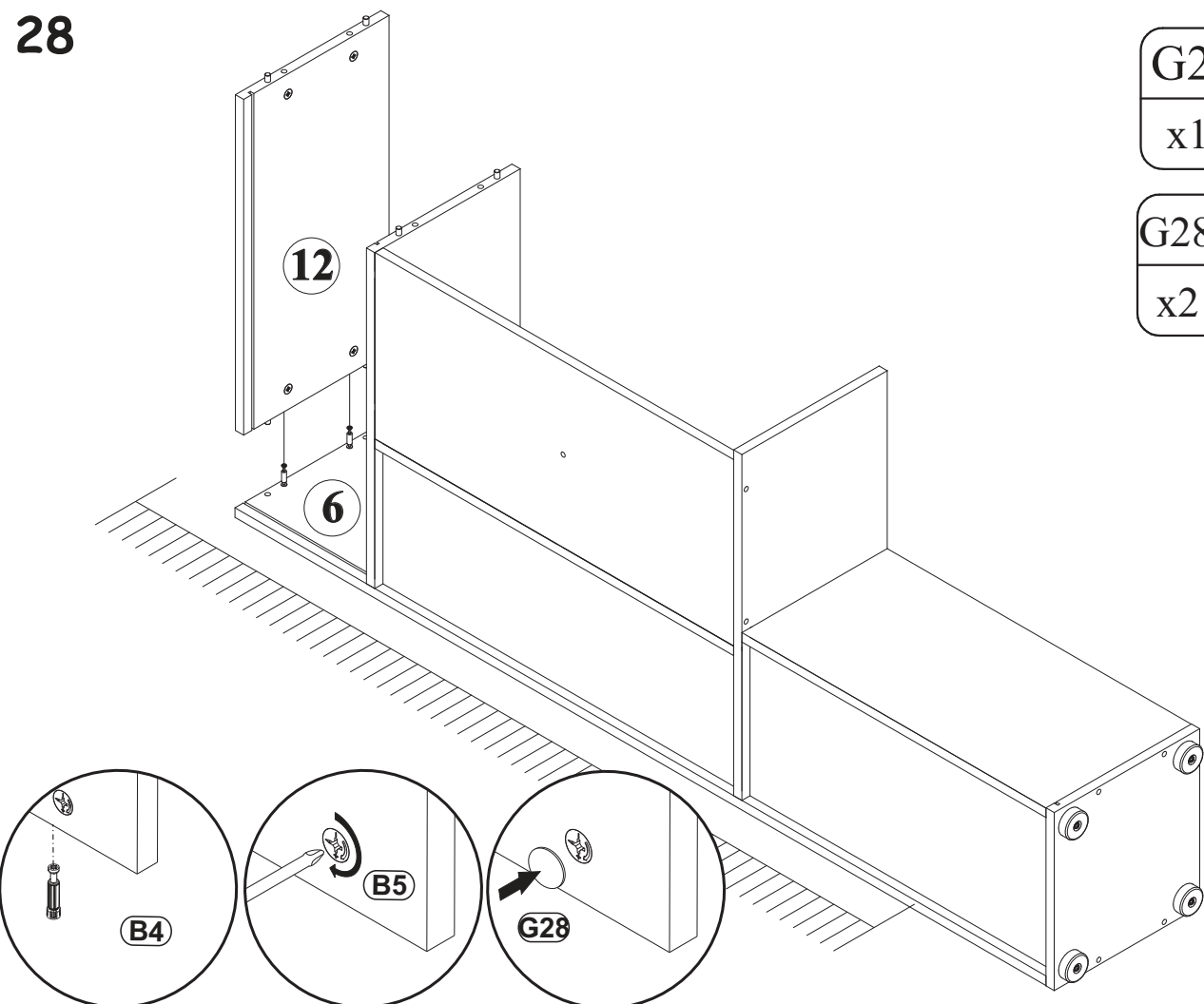
G12	
x2	c



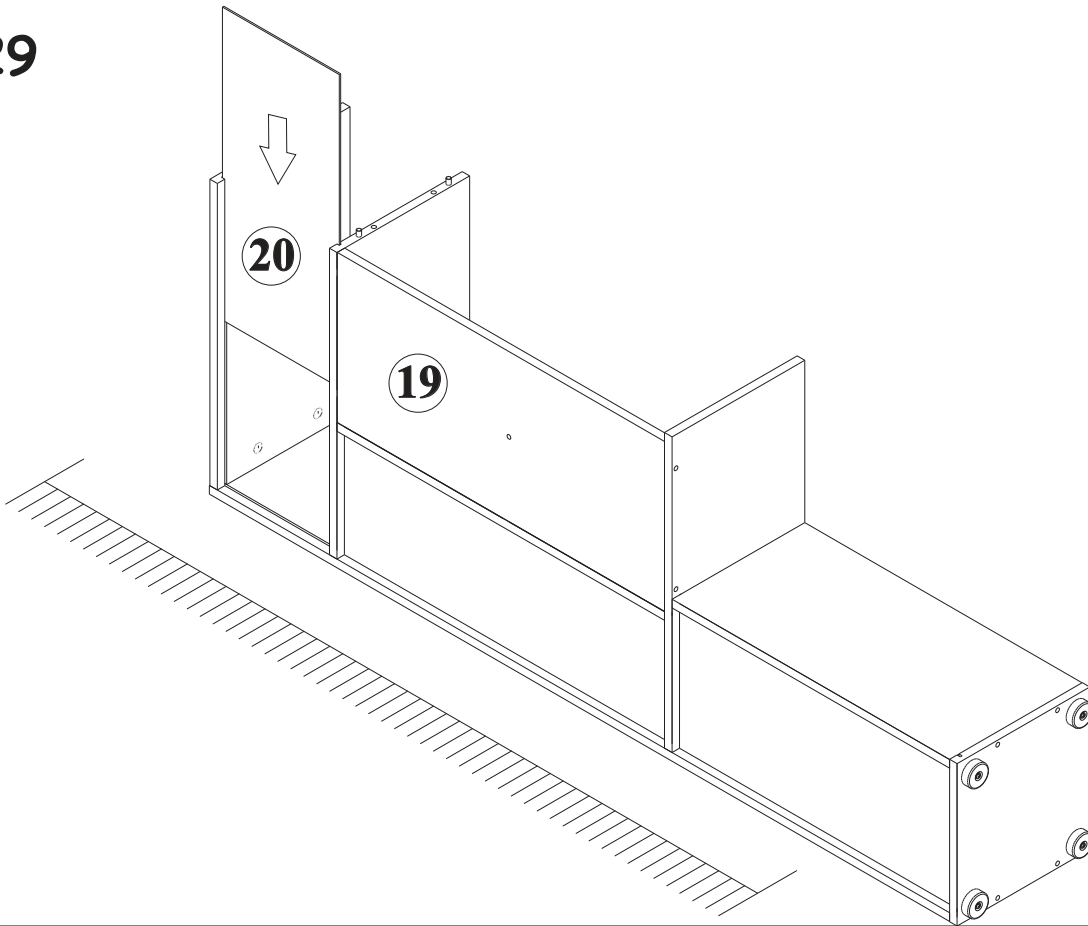
28

G2	
x1	

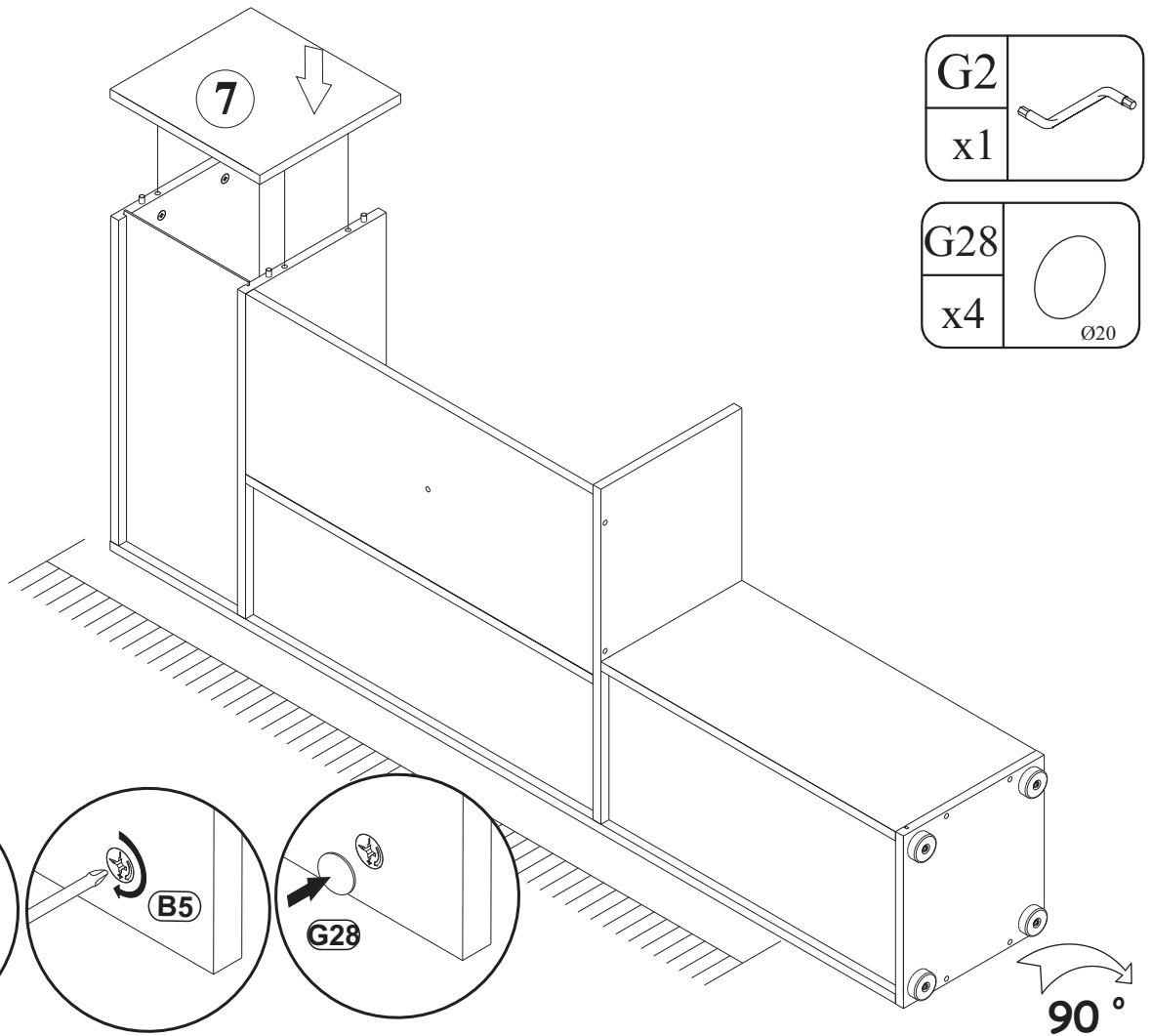
G28	
x2	Ø20

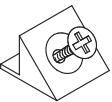


29

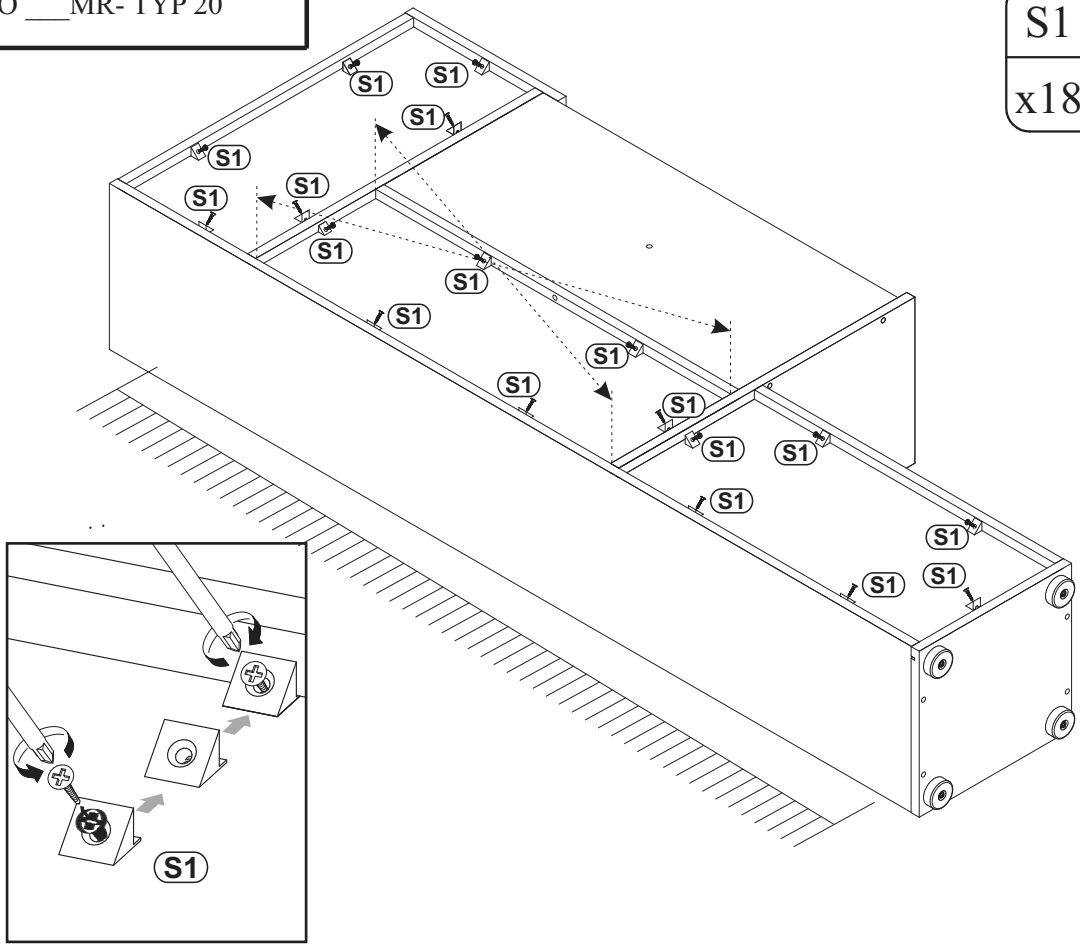


30



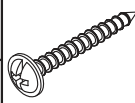
S1	
x18	

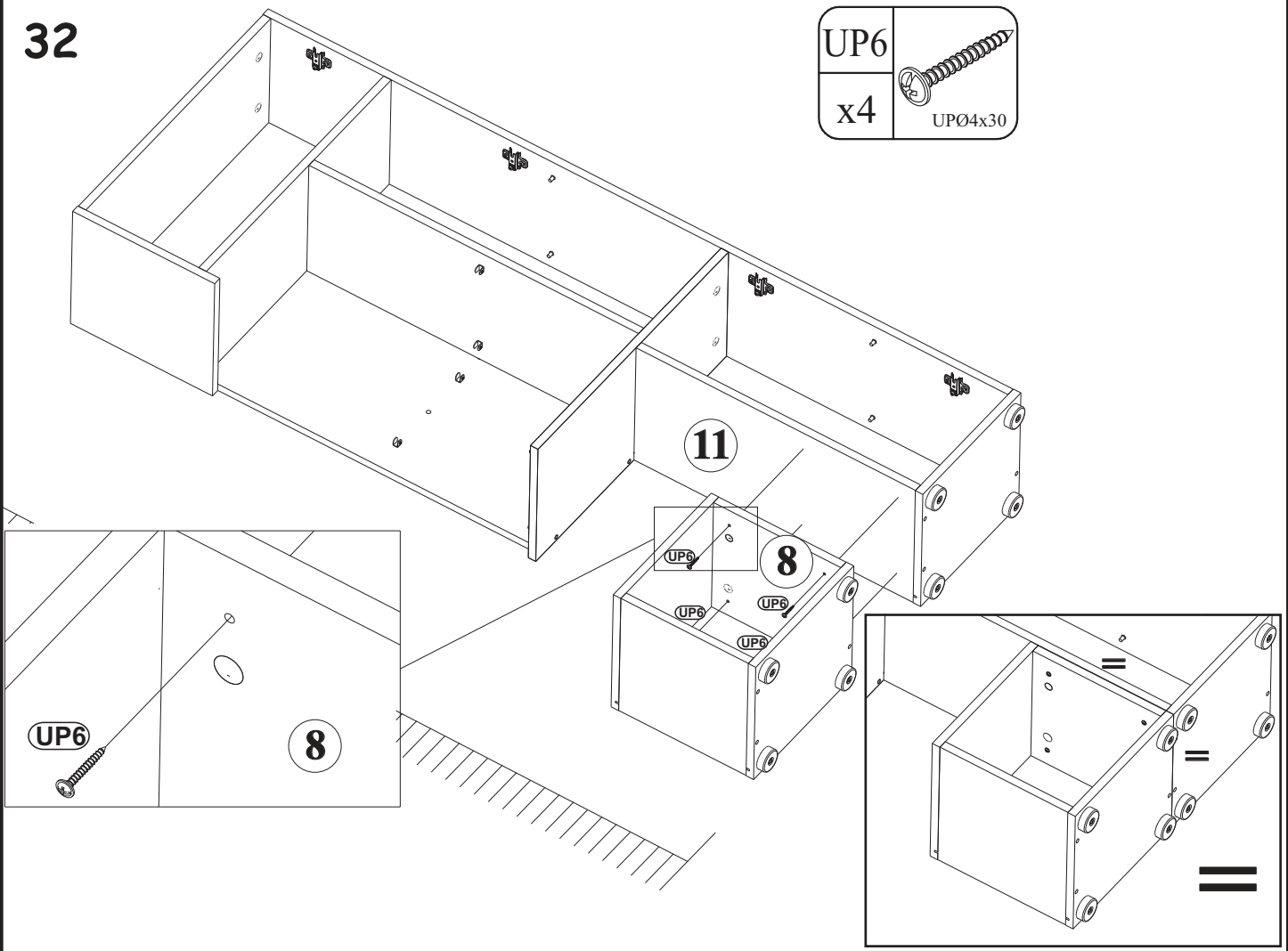
31



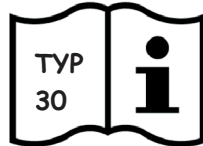
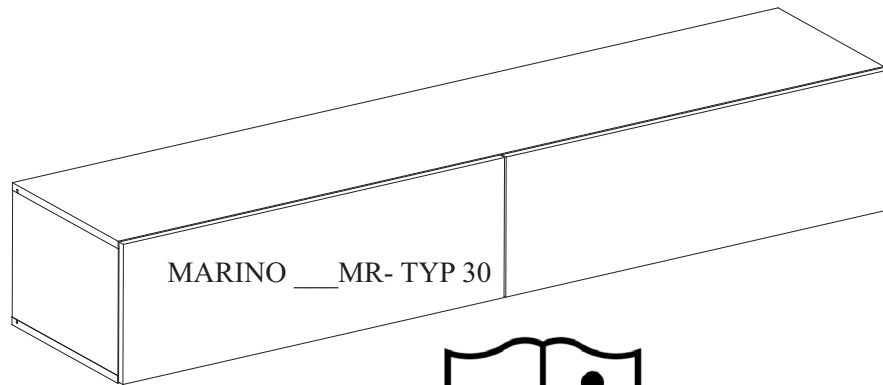
180°

32

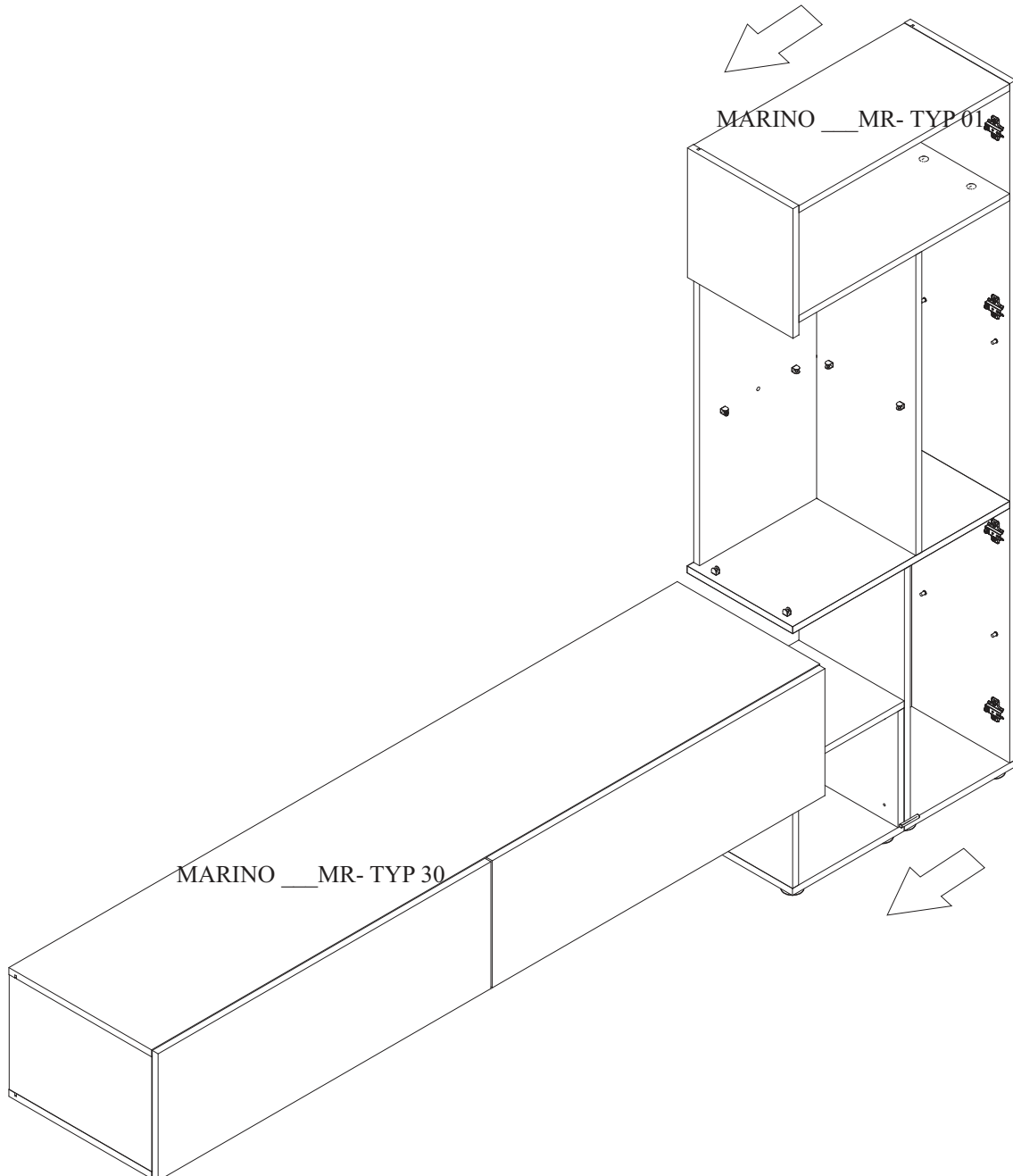
UP6	
x4	UP04x30



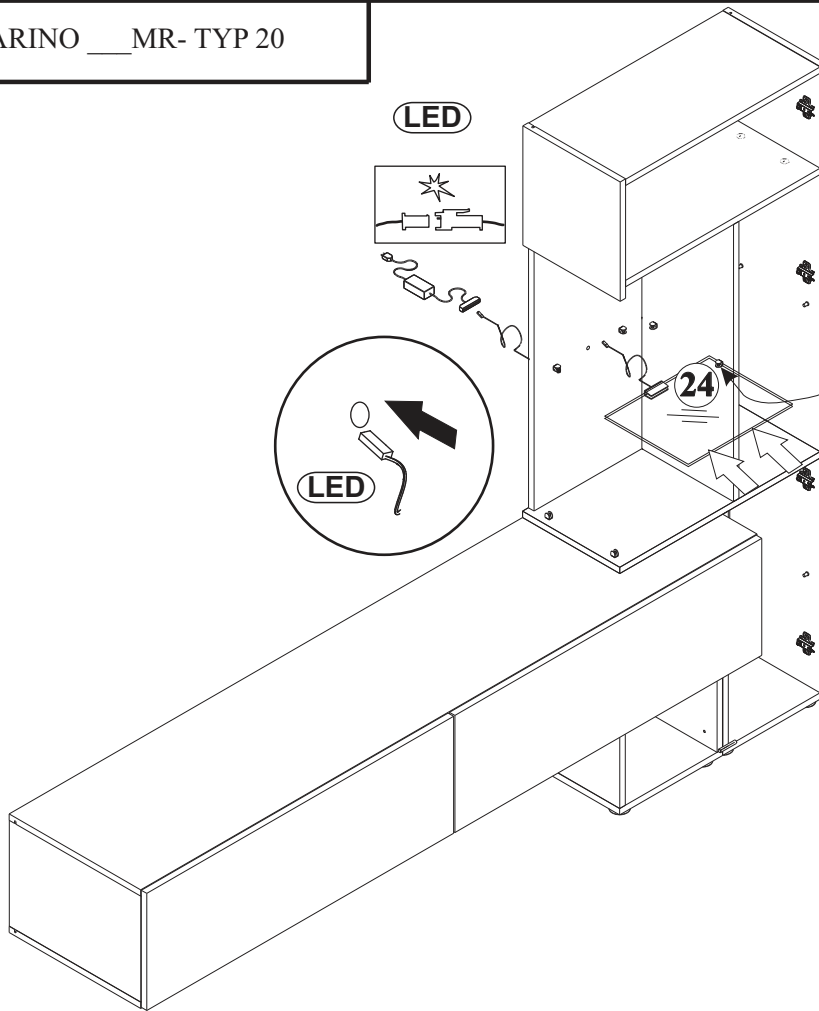
33



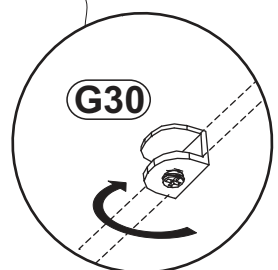
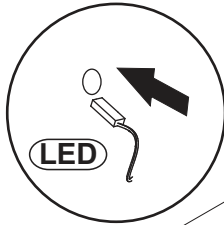
34



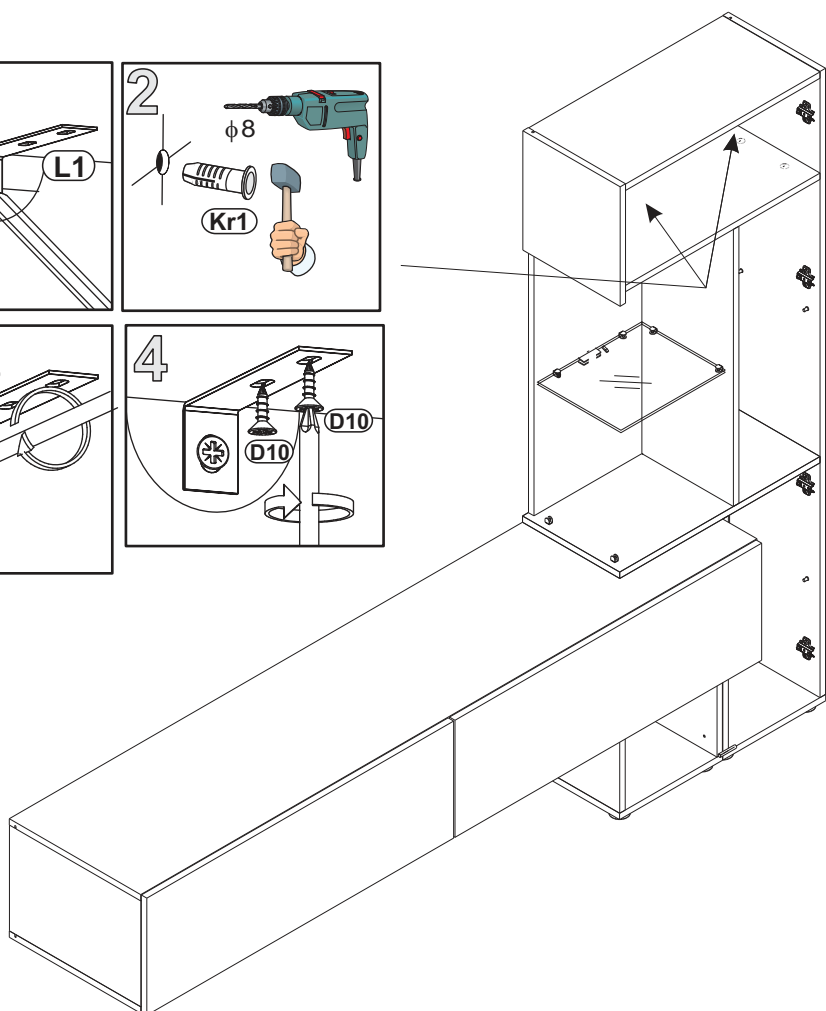
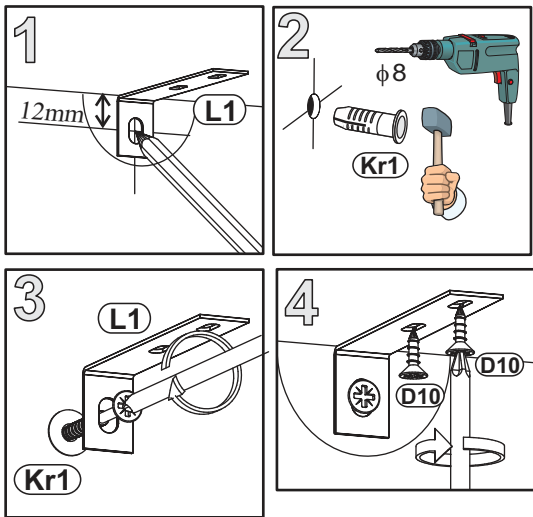
35



LED	
x1	



36

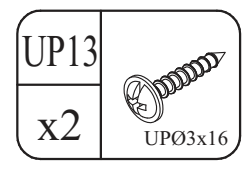
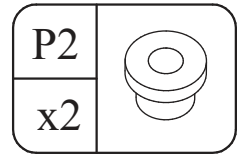
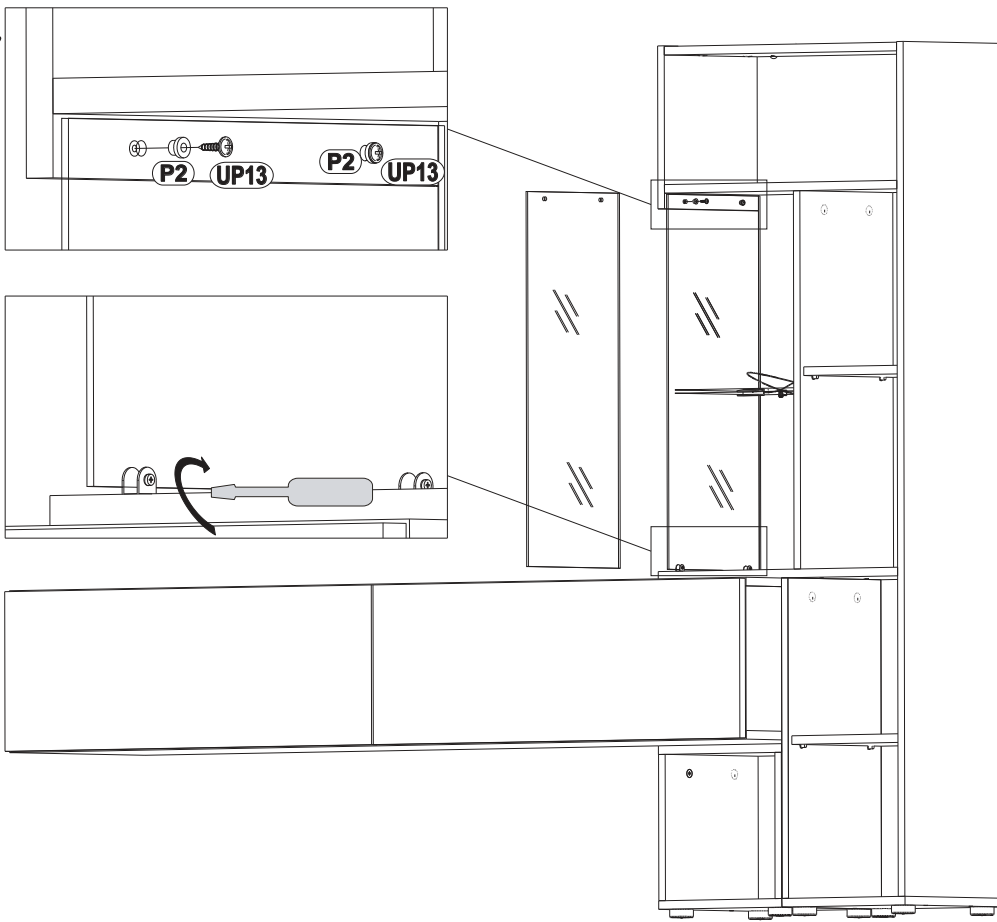


L1	
x2	

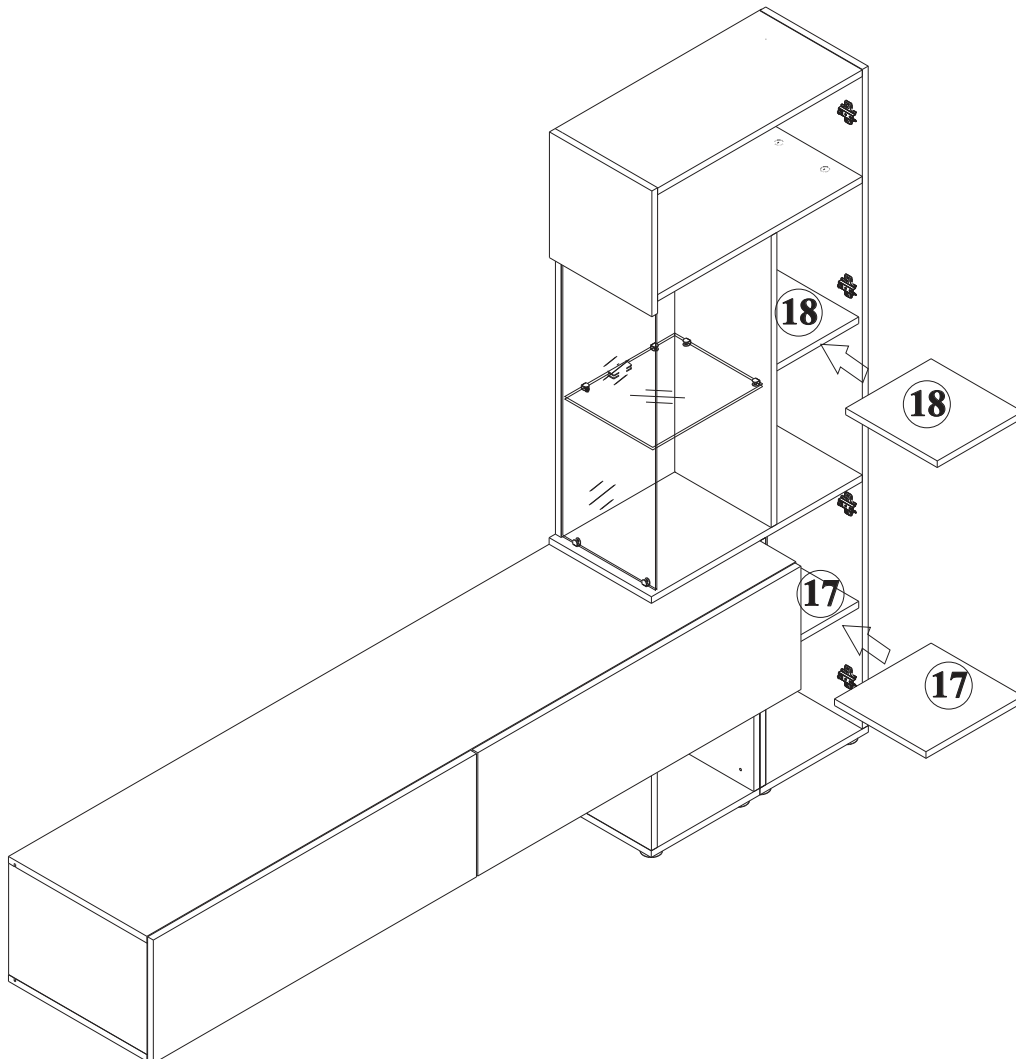
KR1	
x2	Ø8

D10	
x4	USØ3,5x13

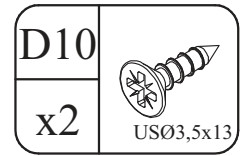
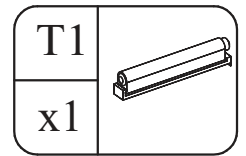
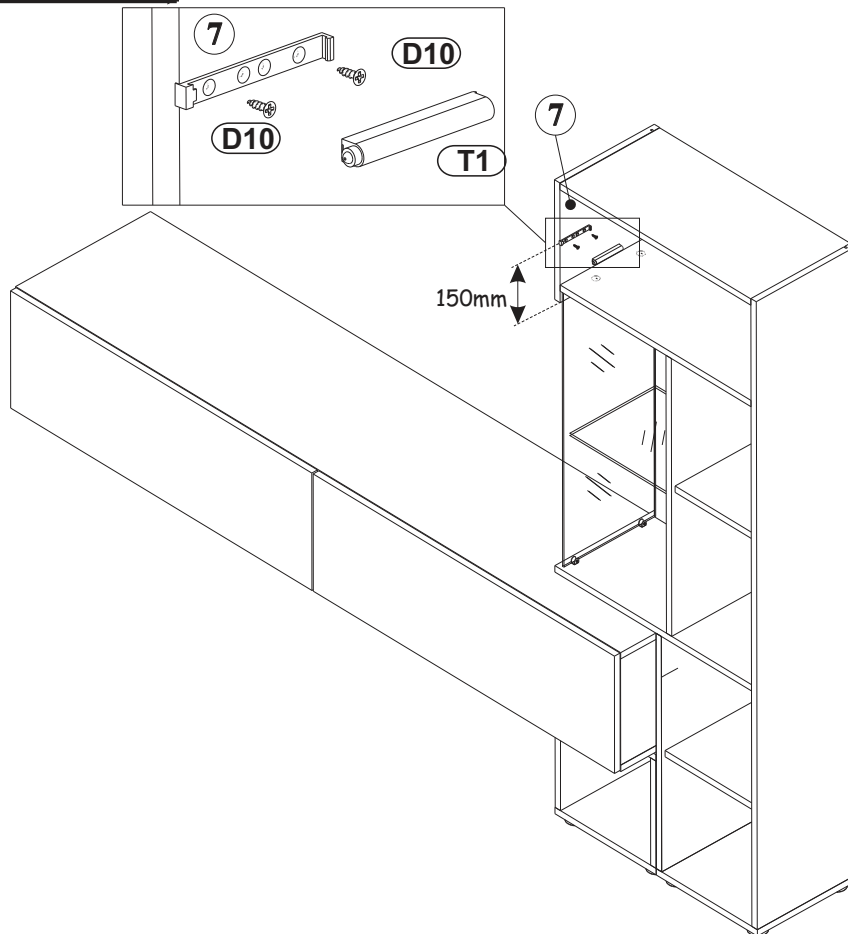
37



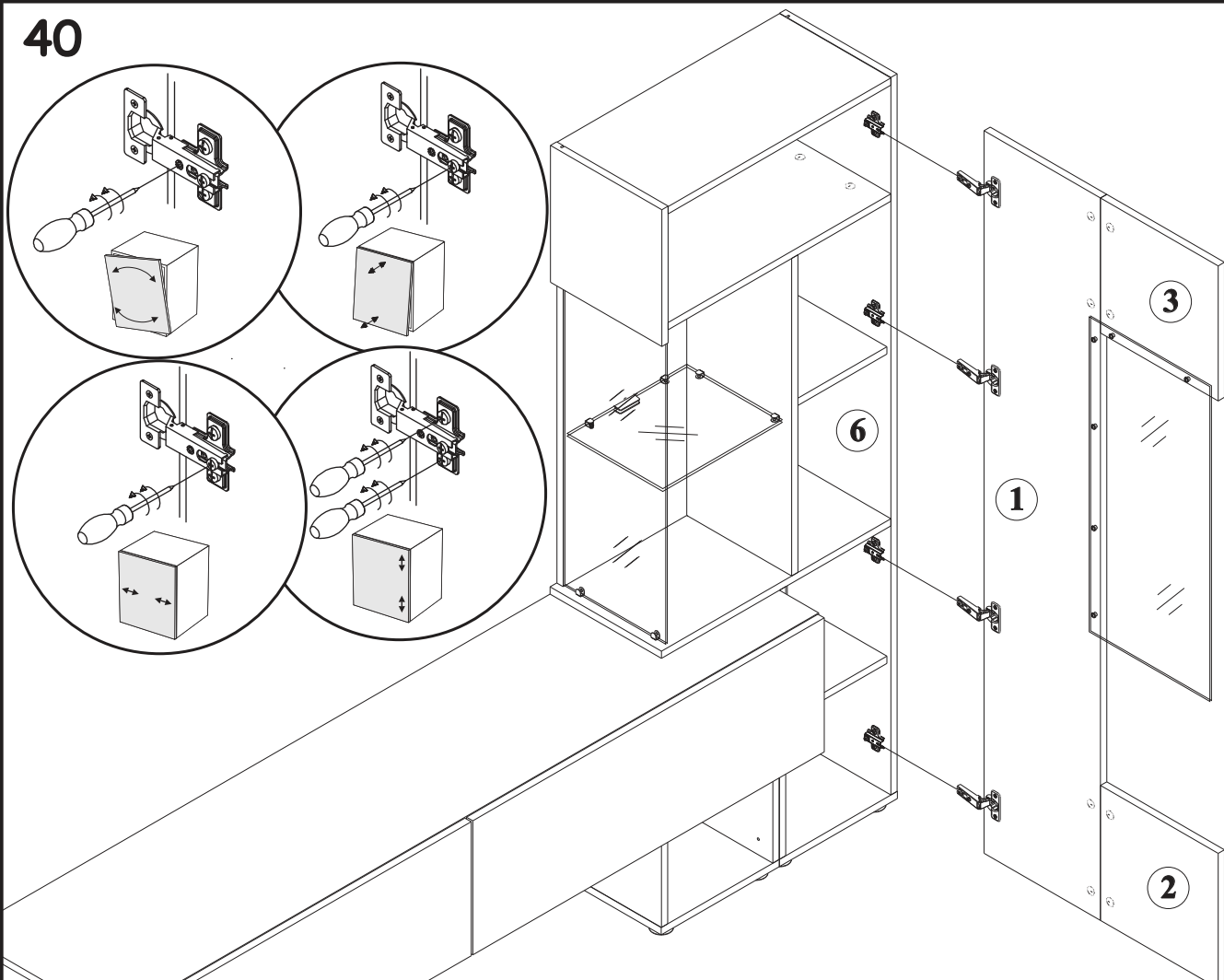
38



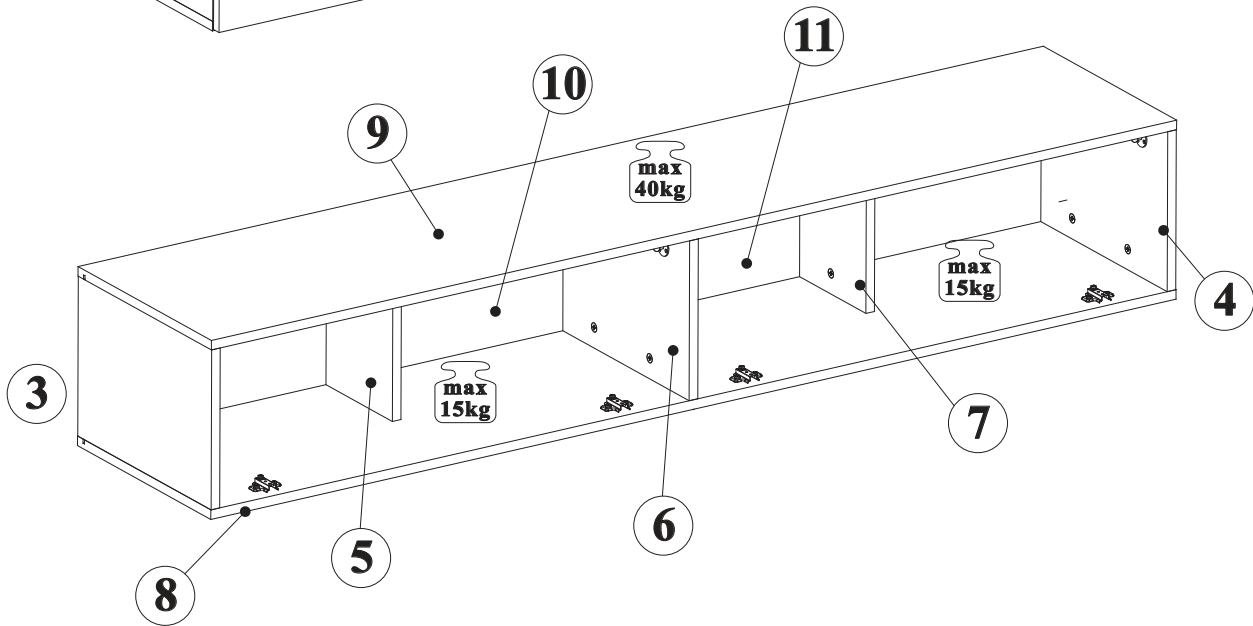
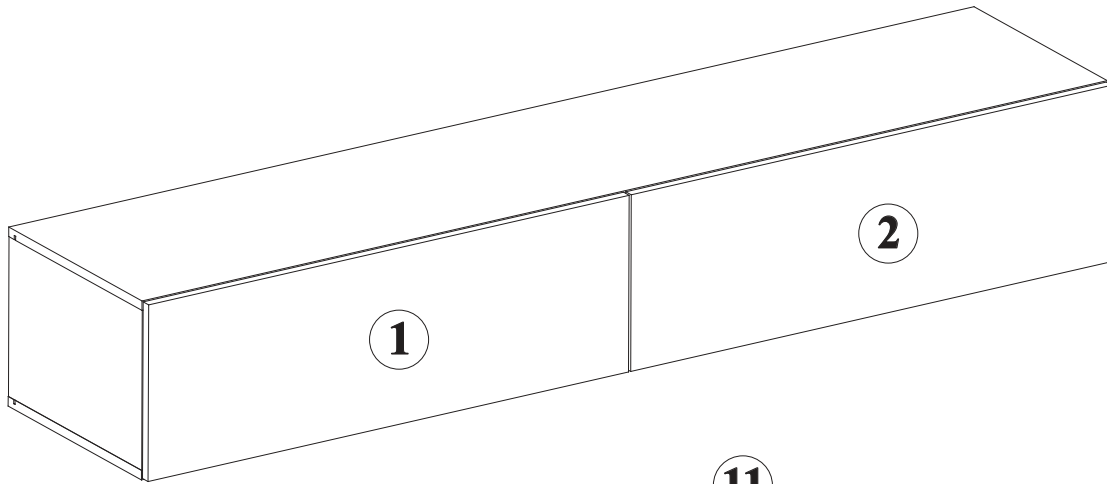
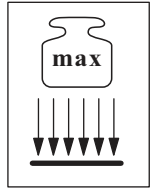
39



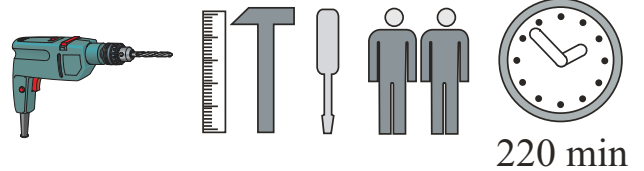
40



MARINO _MR- TYP 30

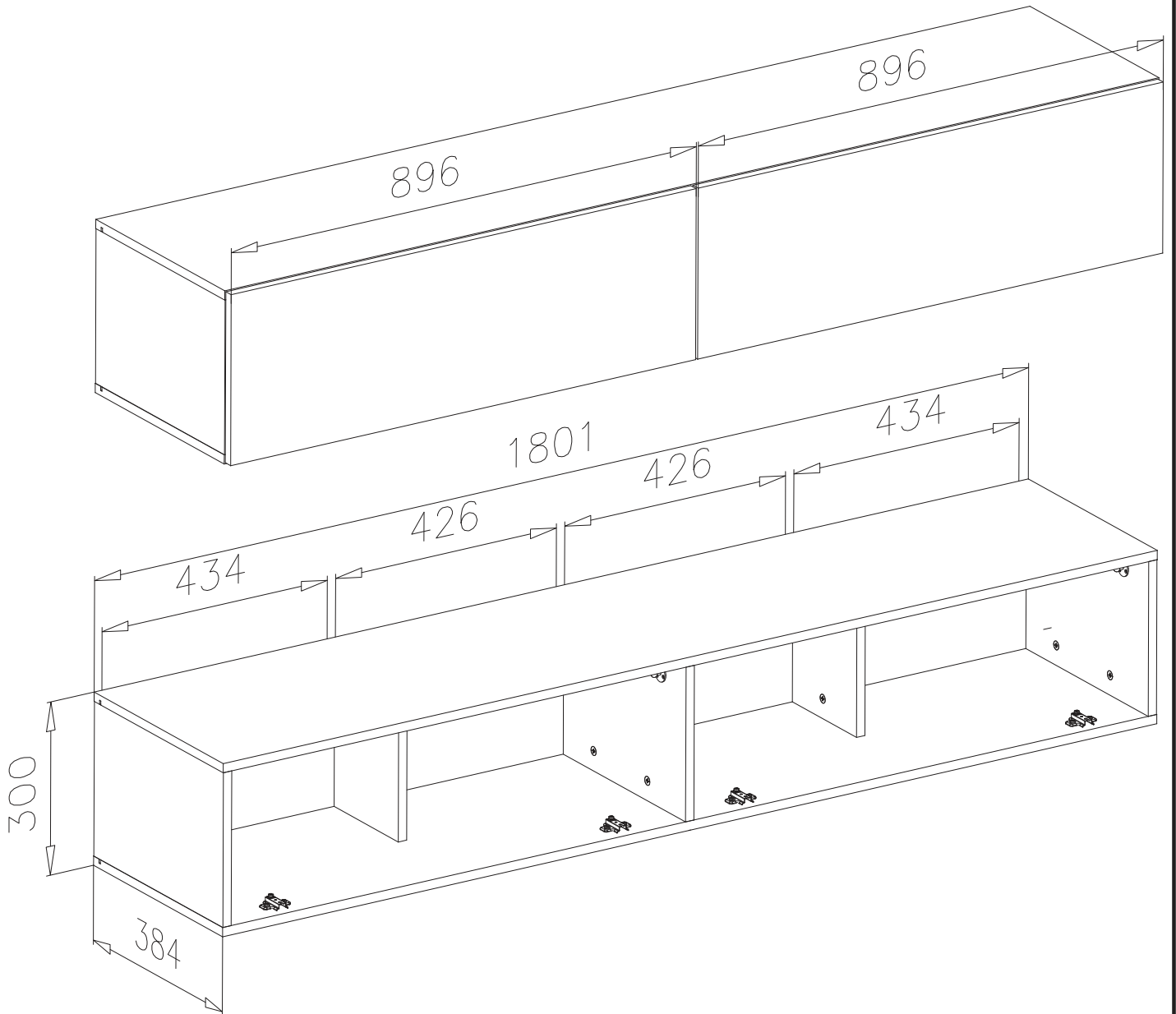


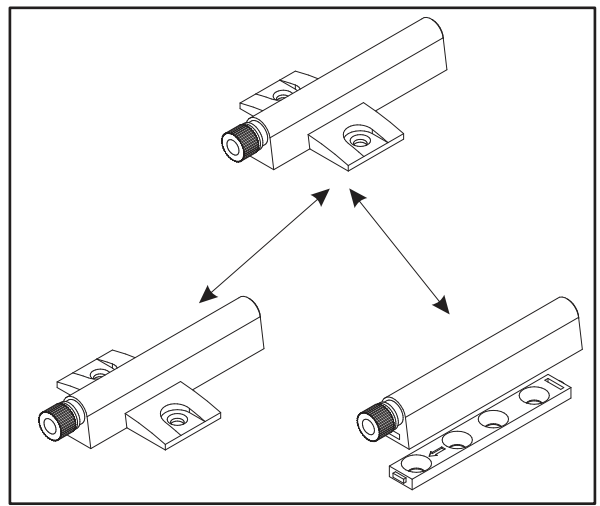
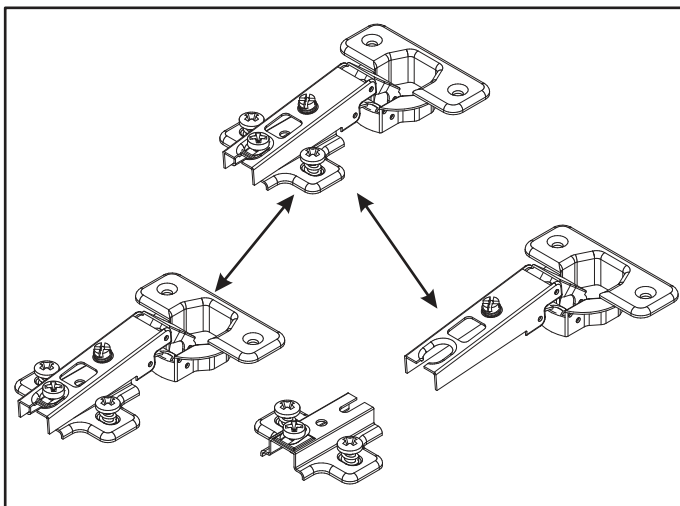
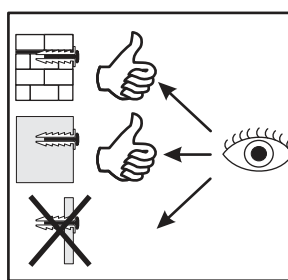
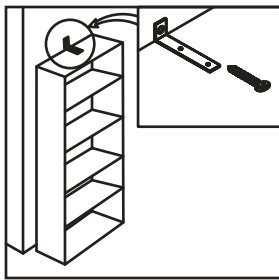
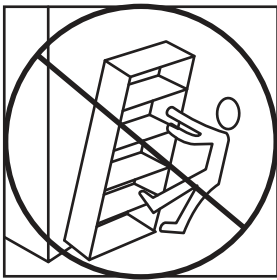
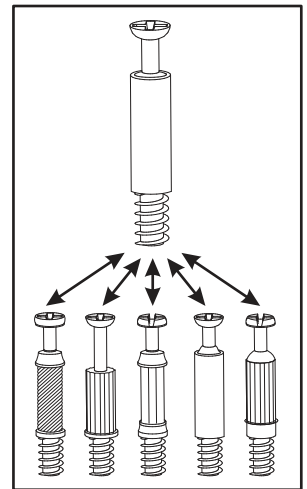
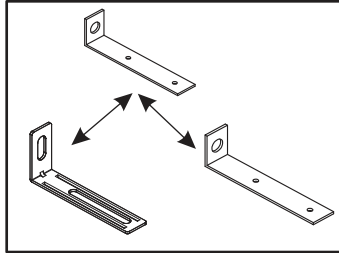
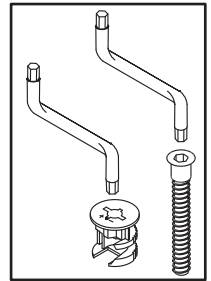
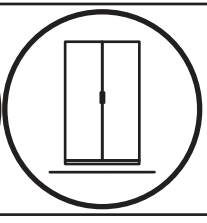
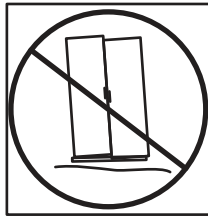
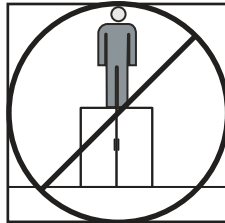
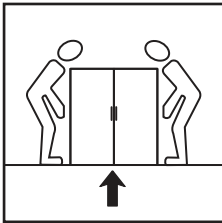
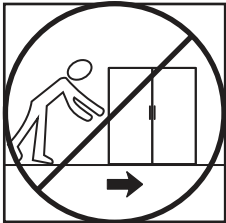
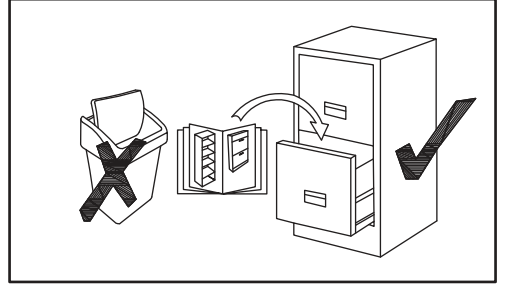
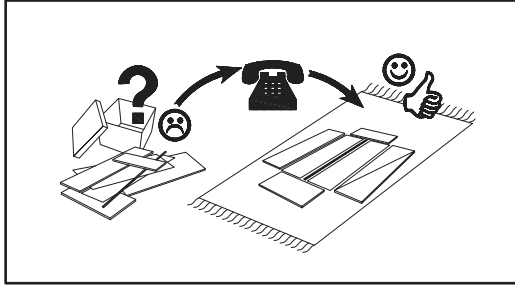
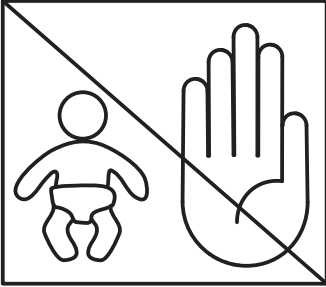
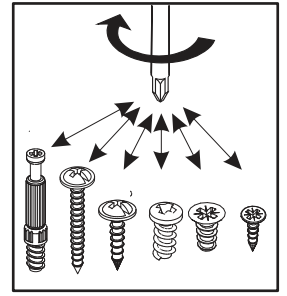
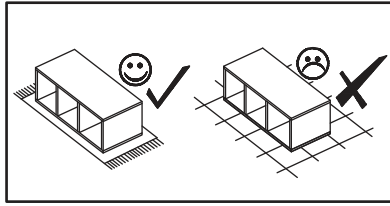
NO	DIM [mm]		COL.-NO	QTY
1	896	296	16 1/1	1
2	896	296	16 1/1	1
3	268	384	16 1/1	1
4	268	384	16 1/1	1
5	268	191	16 1/1	1
6	268	364	16 1/1	1
7	268	191	16 1/1	1
8	1801	384	16 1/1	1
9	1801	384	16 1/1	1
10	280	889	3 1/1	1
11	280	889	3 1/1	1



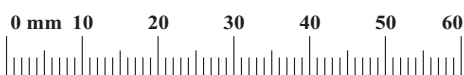
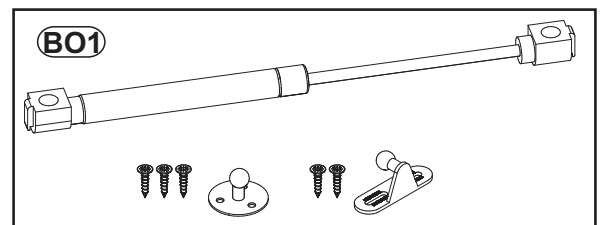
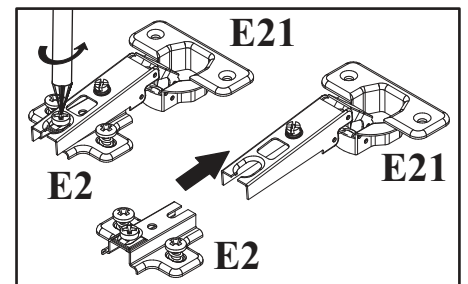
220 min

MARINO _MR- TYP 30

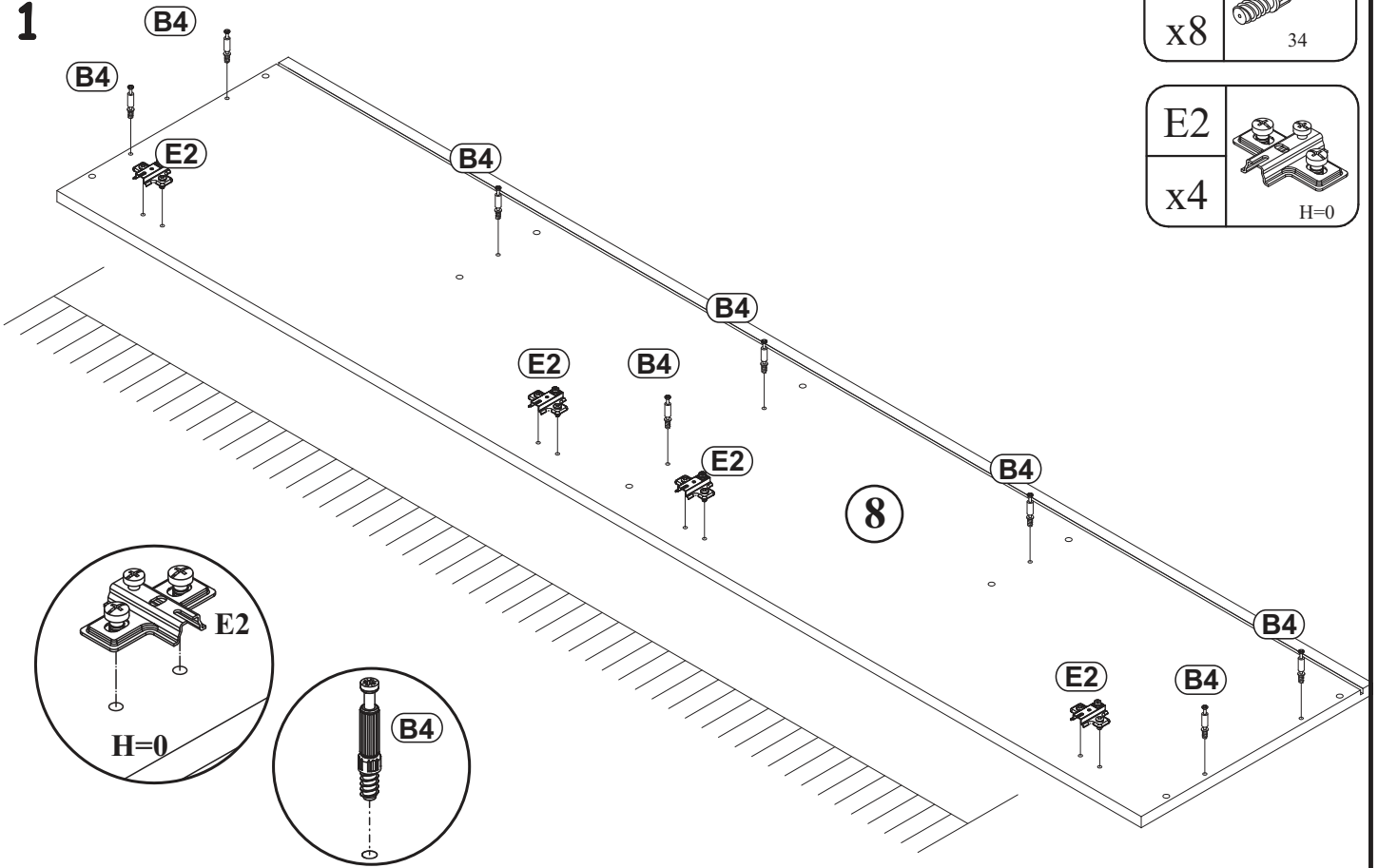




A1 x20 Ø8x36	B4 x16 34	B5 x16 Ø15x12	G5 x16	E2 x4 H=0	E21 x4 Ø35 H=0
BO1 x4	G16 x2	ZXL x2	ZXP x2	SZ7 x4	KR1 x8 Ø8
S1 x14	D6 x8 USØ3,5x30	D10 x32 USØ3,5x13	UP13 x2 UPØ3x16	T2 x2 20x14	G2 x1

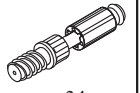


1



B4

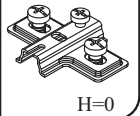
x8



34

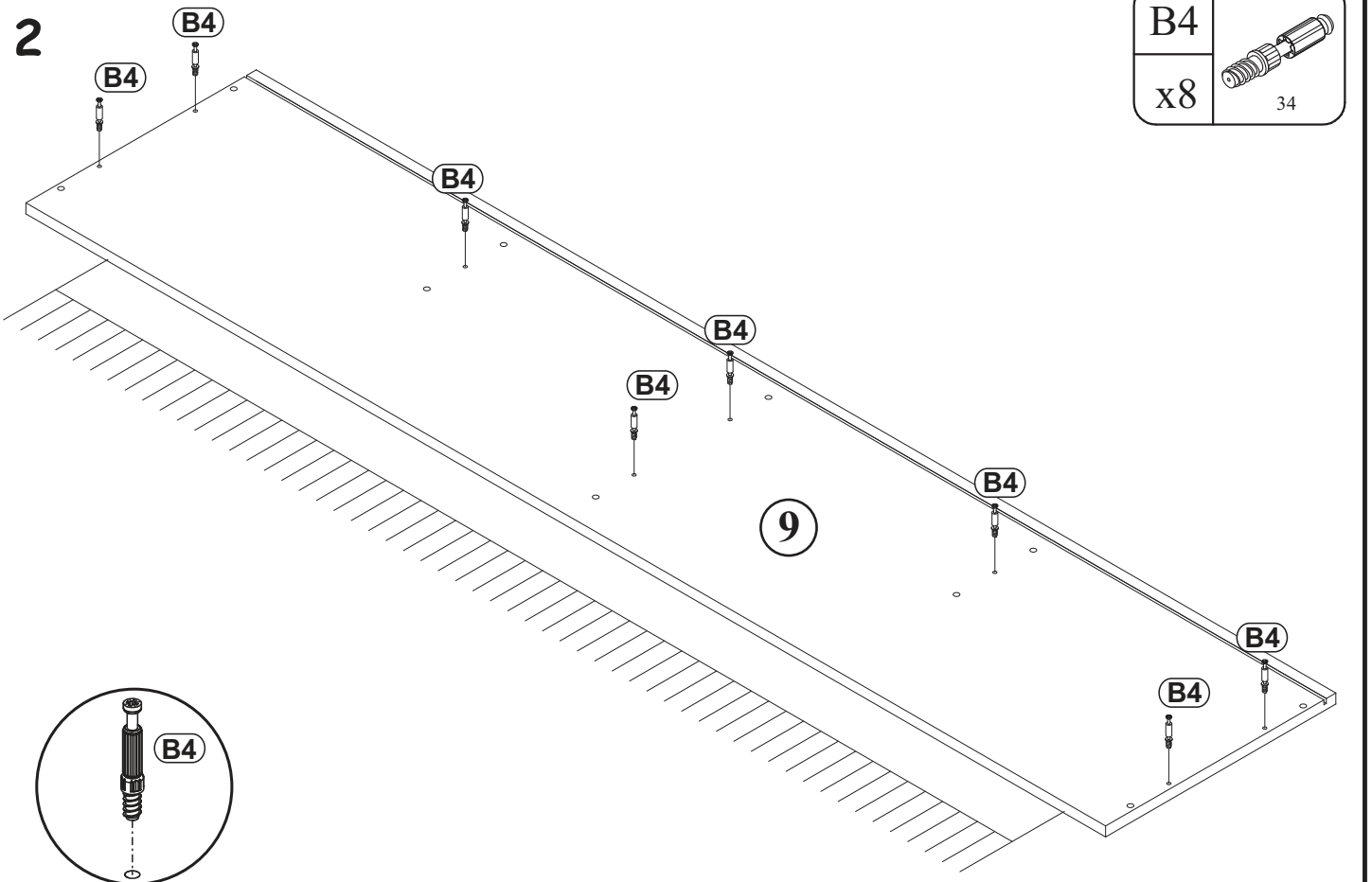
E2

x4



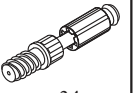
H=0

2

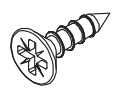


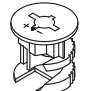
B4

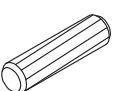
x8



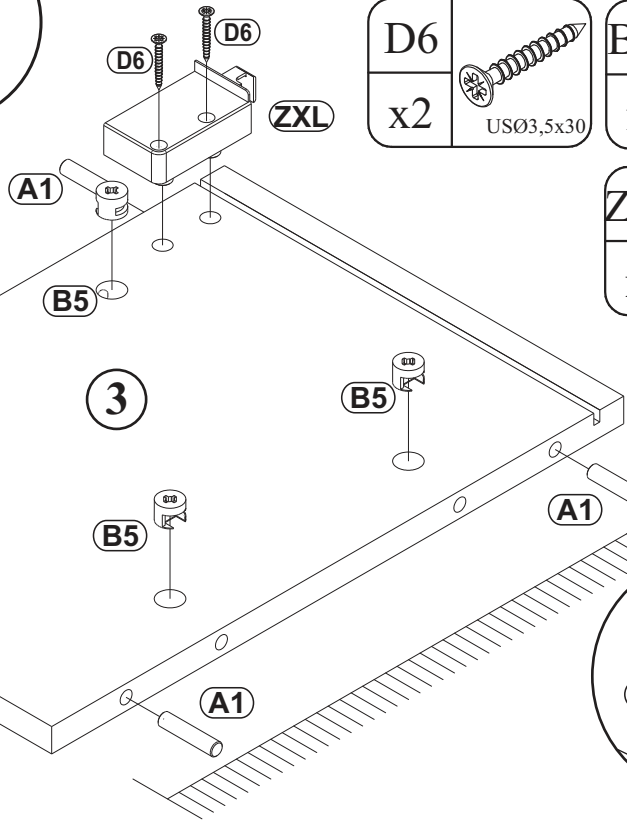
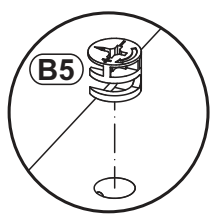
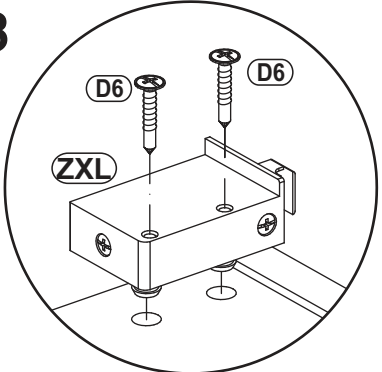
34


D10	
x3	USØ3,5x13

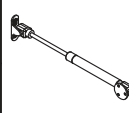
B5	
x4	Ø15x12

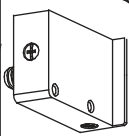
A1	
x4	Ø8x36

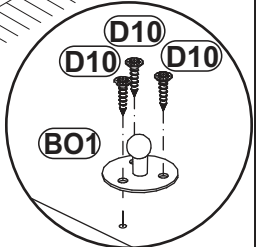
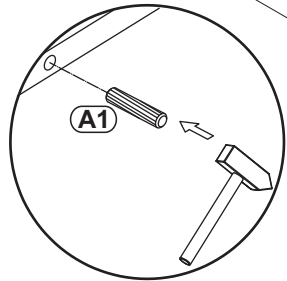
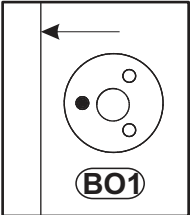
3



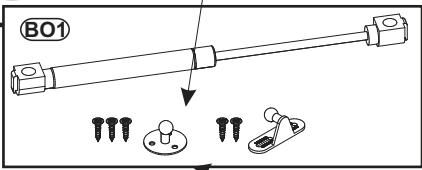
D6	
x2	USØ3,5x30

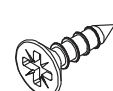
BO1	
x1	

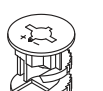
ZXL	
x1	

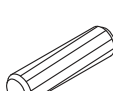


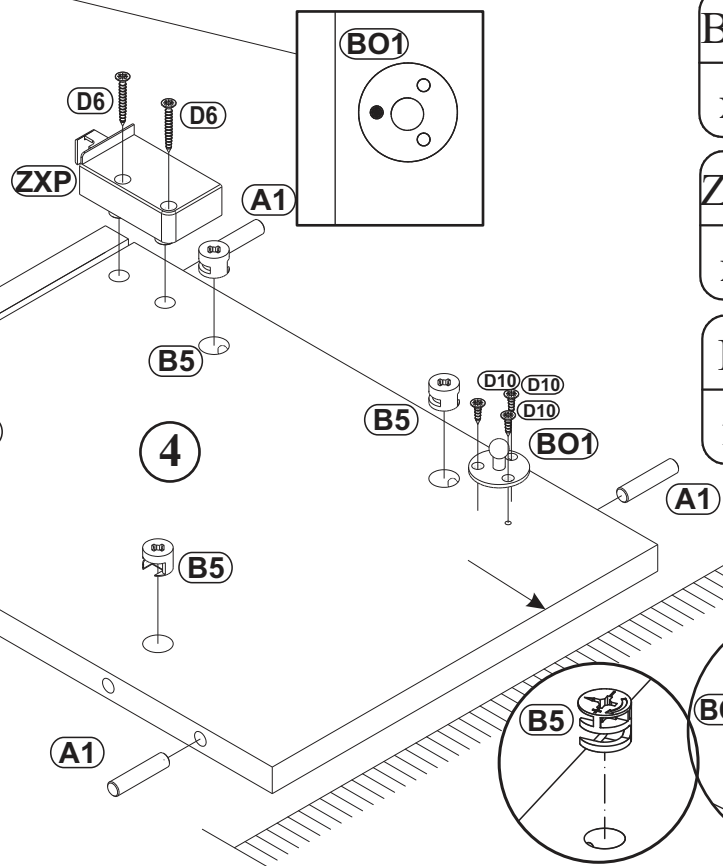
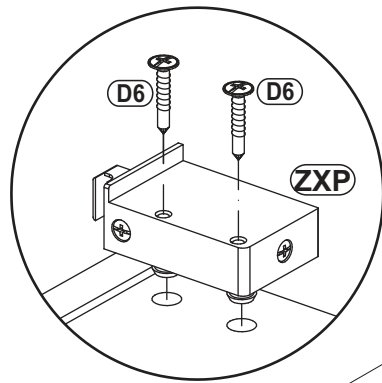
4

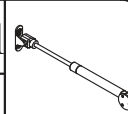


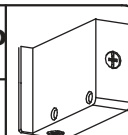
D10	
x3	USØ3,5x13


B5	
x4	Ø15x12

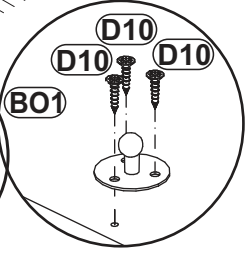
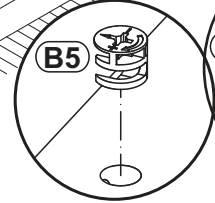
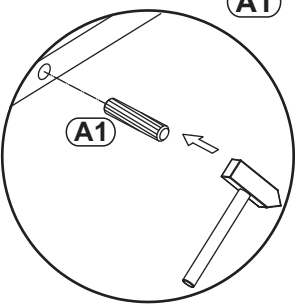
A1	
x4	Ø8x36





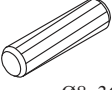
BO1	
x1	

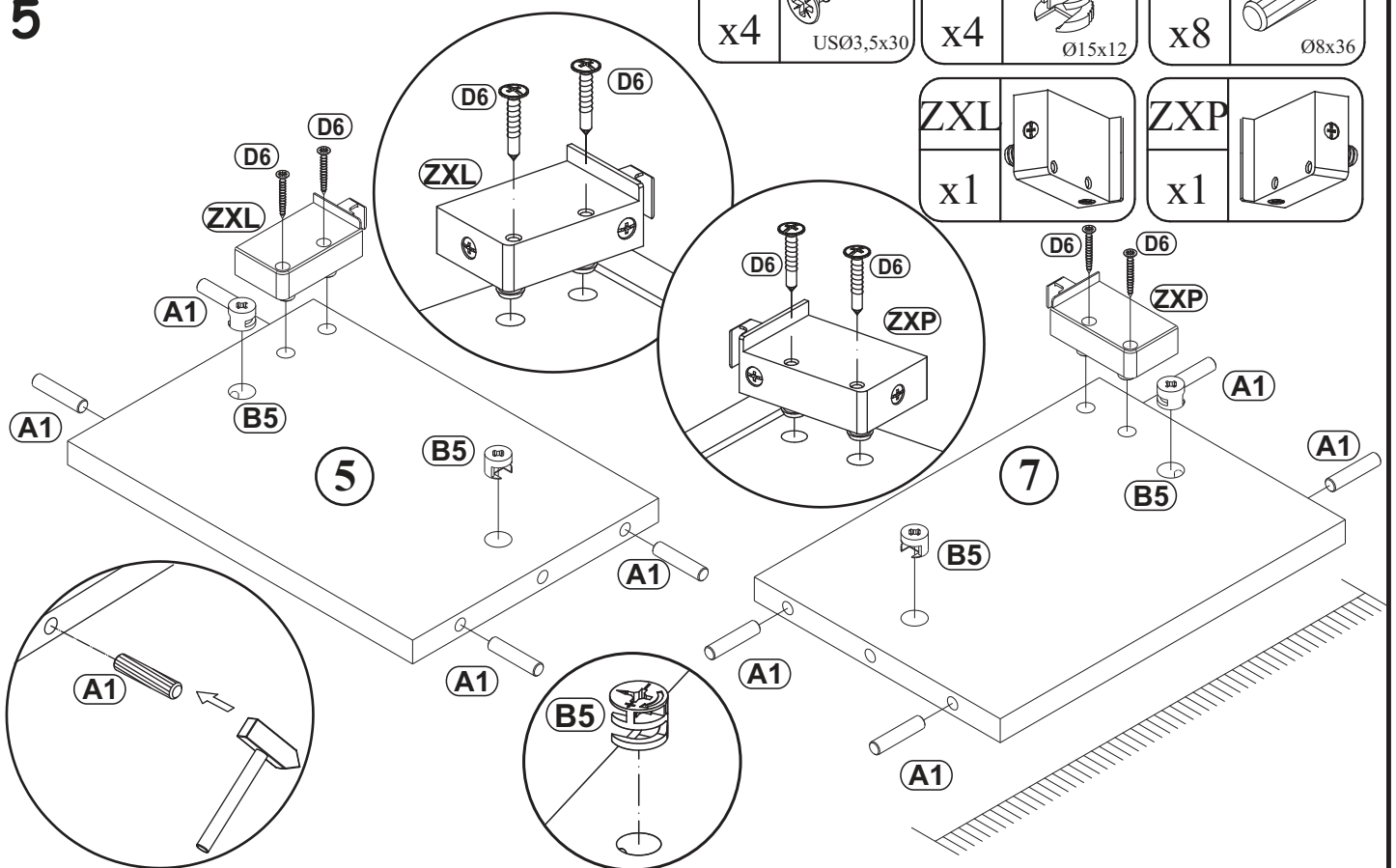
ZXP	
x1	

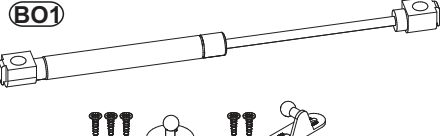
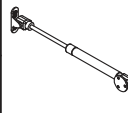


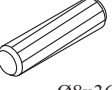
D6	
x2	USØ3,5x30

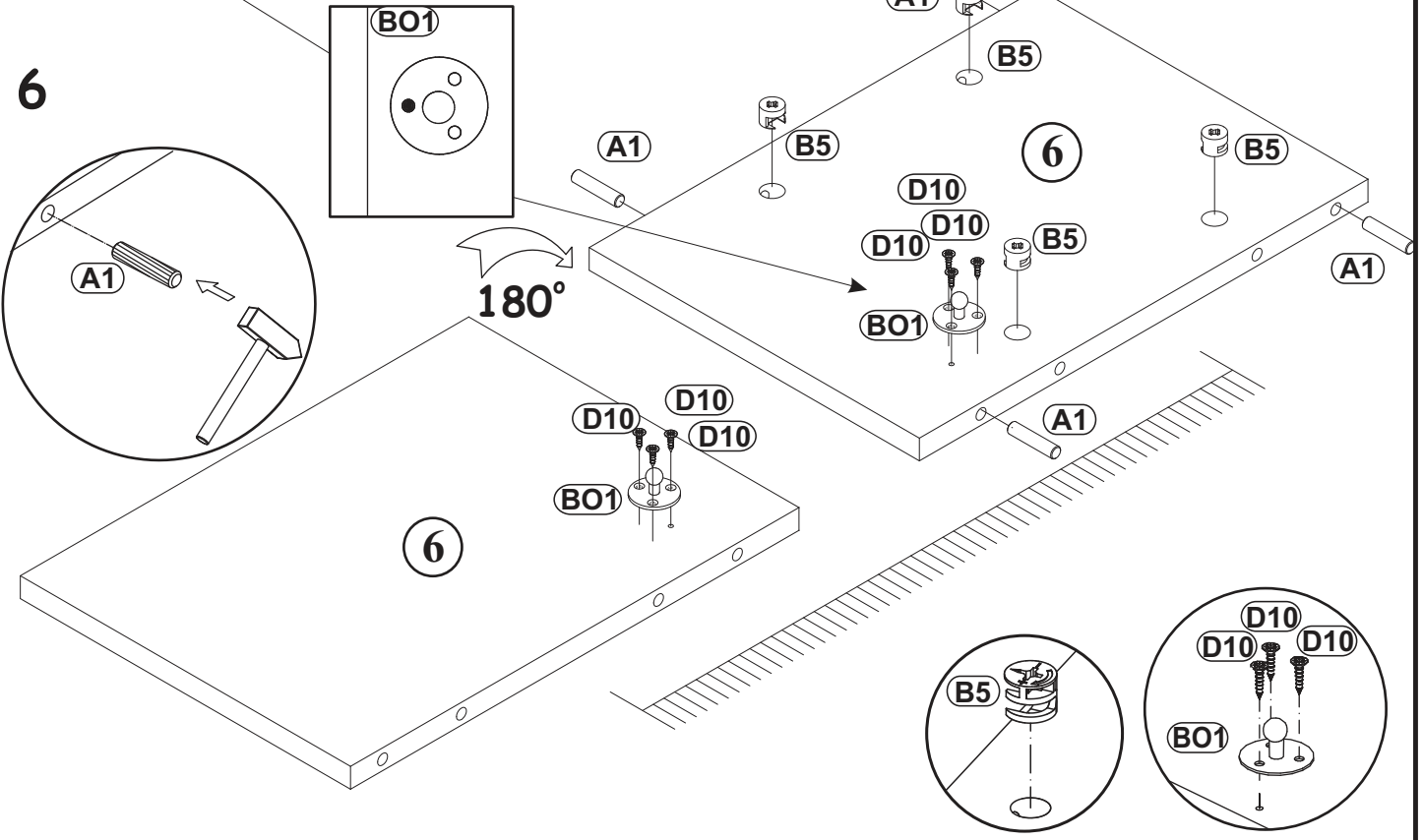


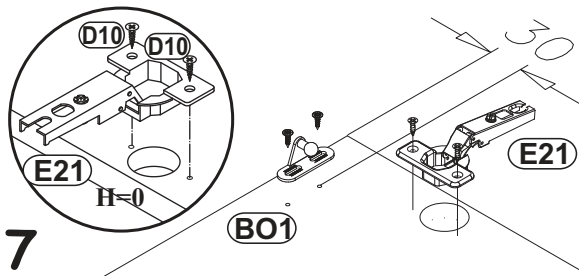
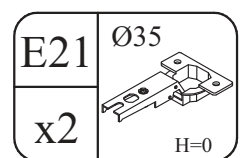
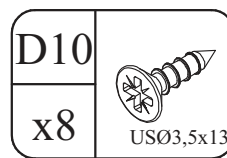
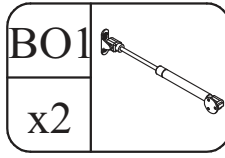
5

D6		B5		A1	
x4	USØ3,5x30	x4	Ø15x12	x8	Ø8x36



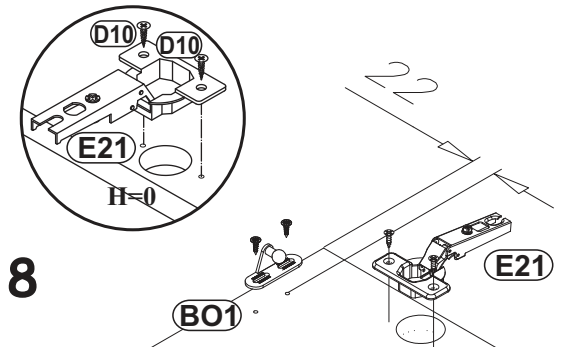
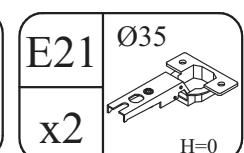
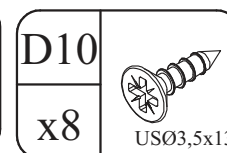
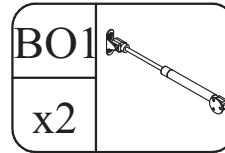
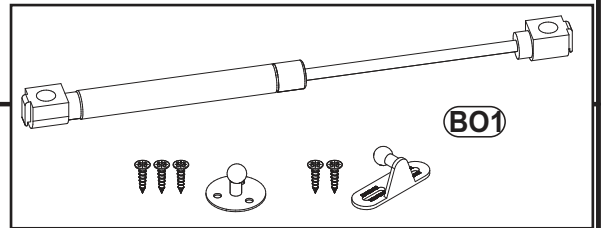
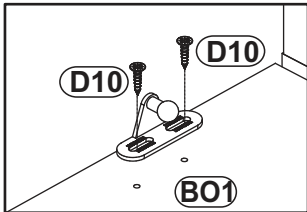
BO1		BO1		D10		B5		A1	
		x2		x6	USØ3,5x13	x4	Ø15x12	x4	Ø8x36





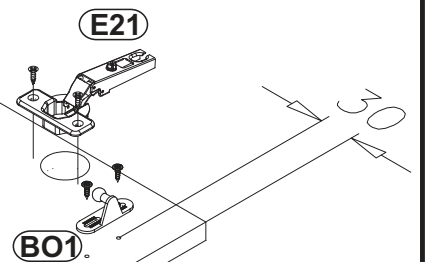
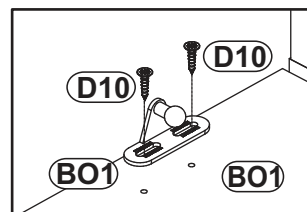
7

1





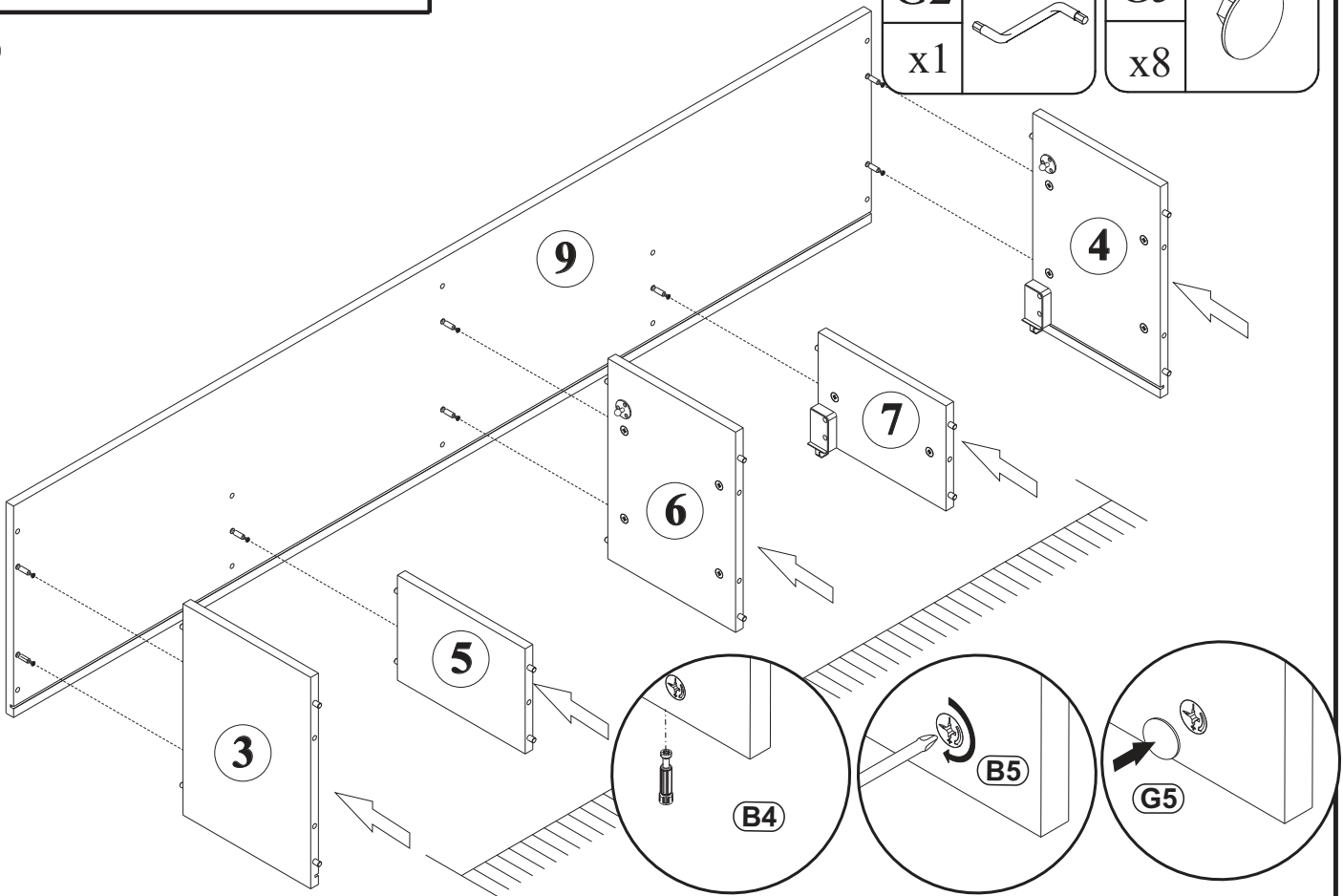
8

2

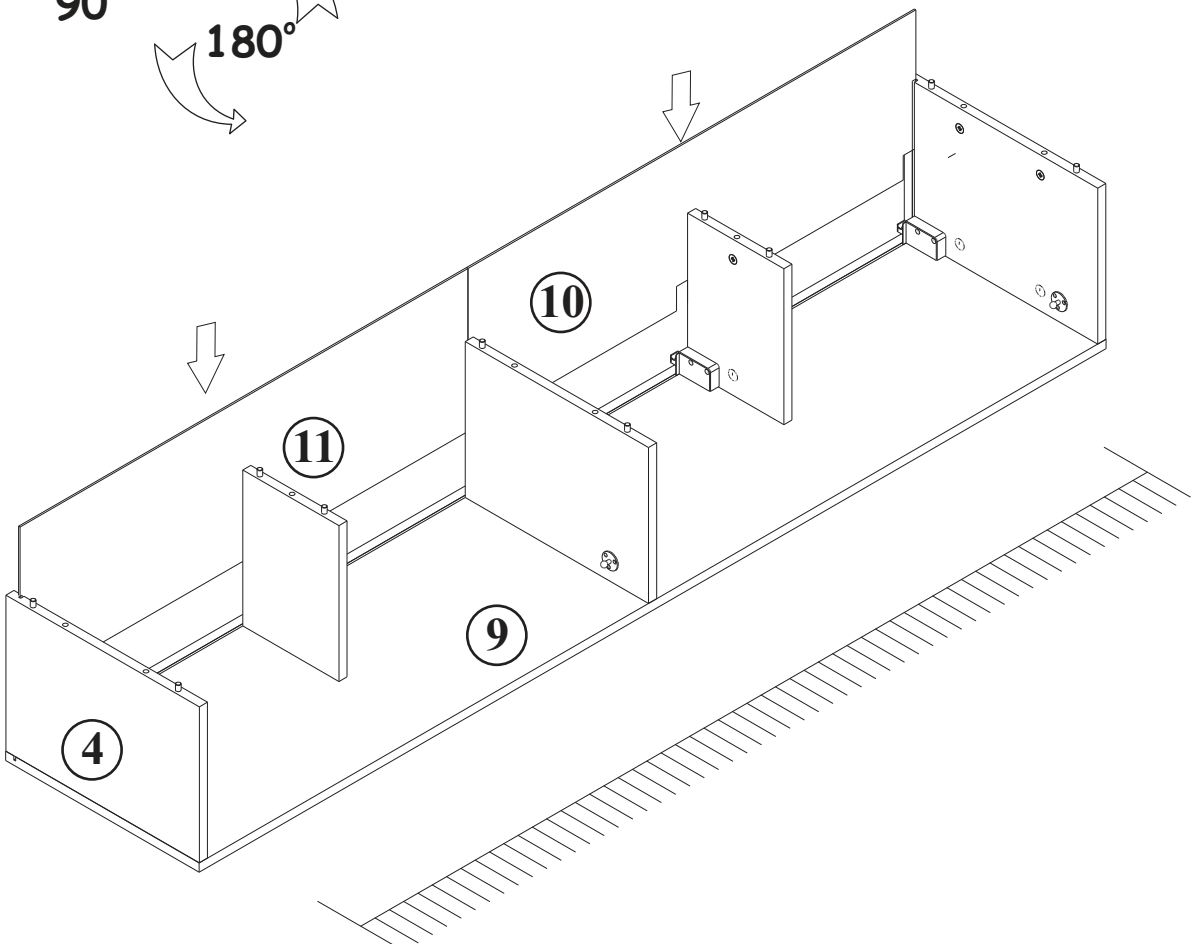
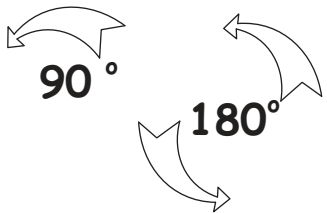


9

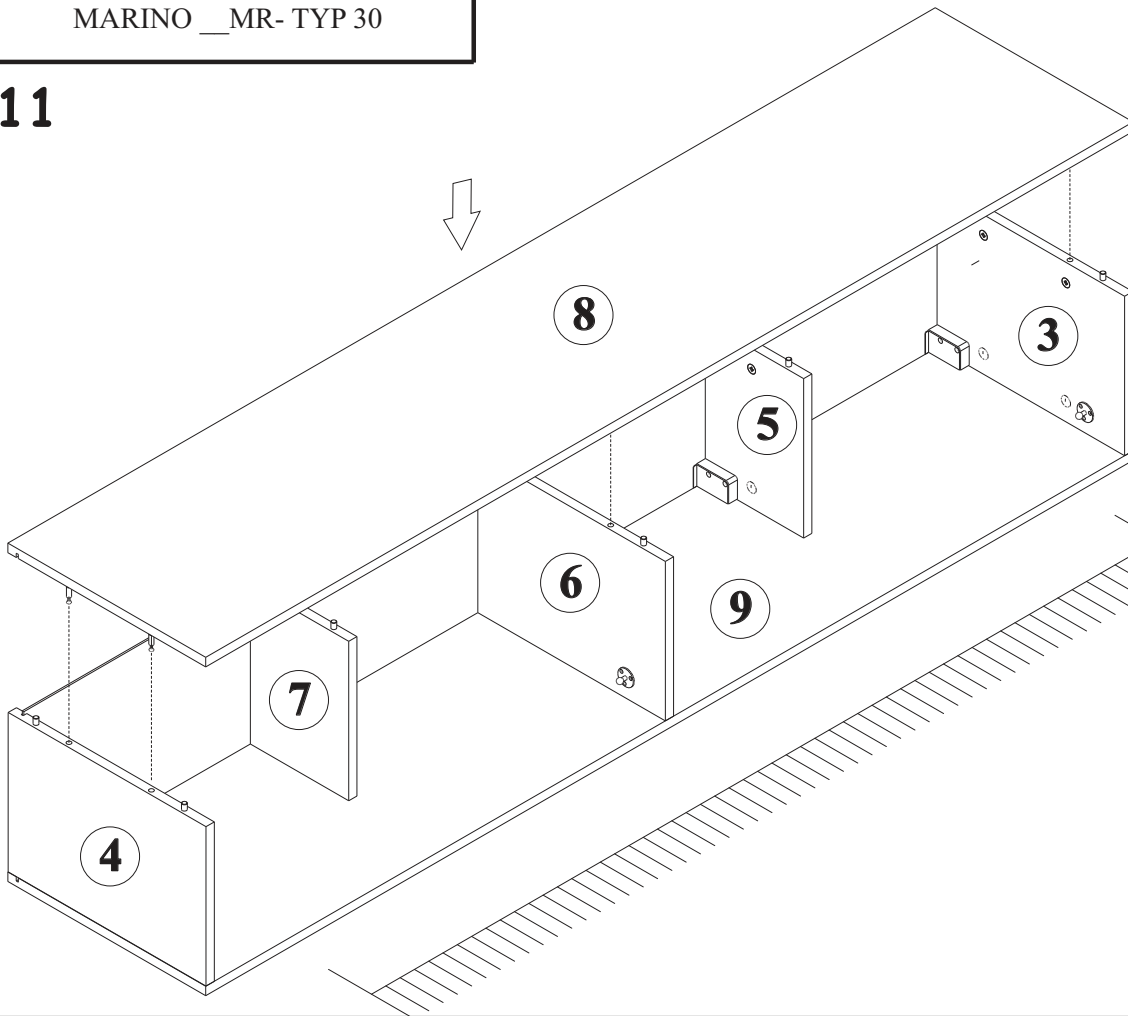
G2		G5	
x1		x8	



10

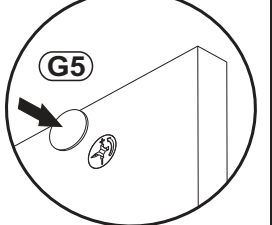
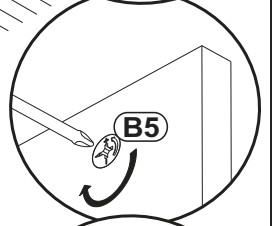
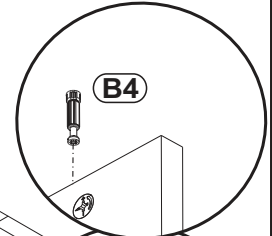


11

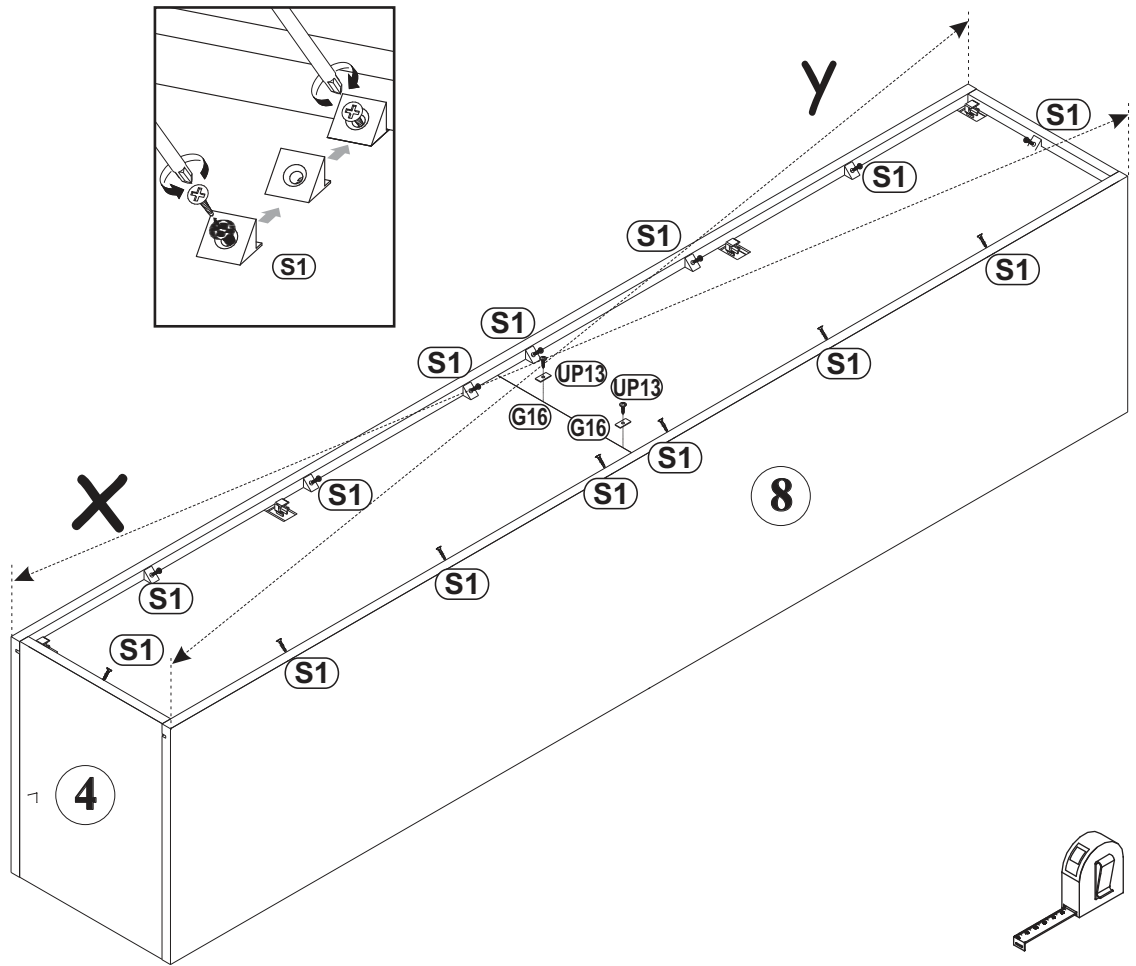


G2	
x1	

G5	
x8	



12



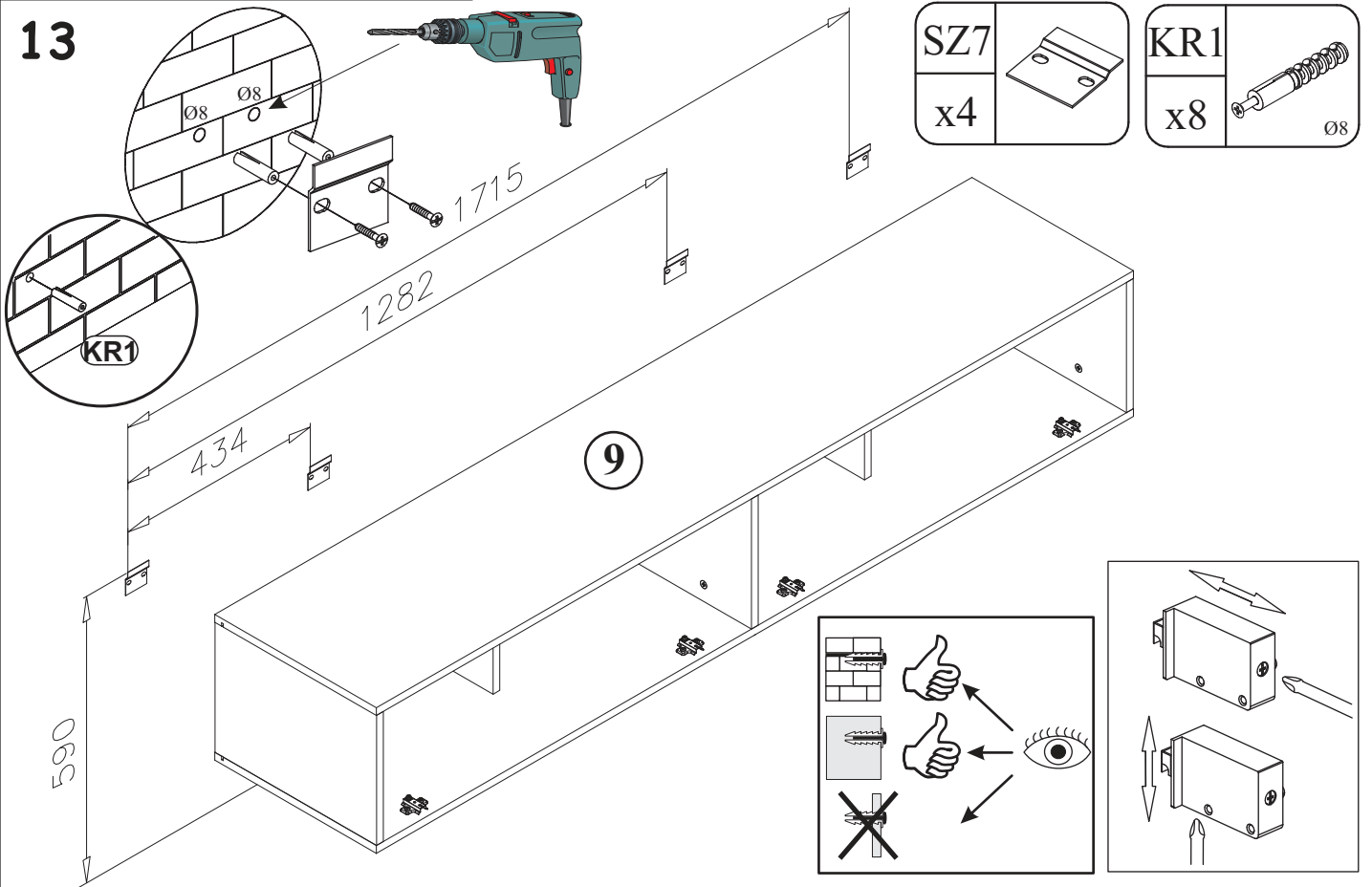
G16	
x2	

UP13	
x2	UPØ3x16

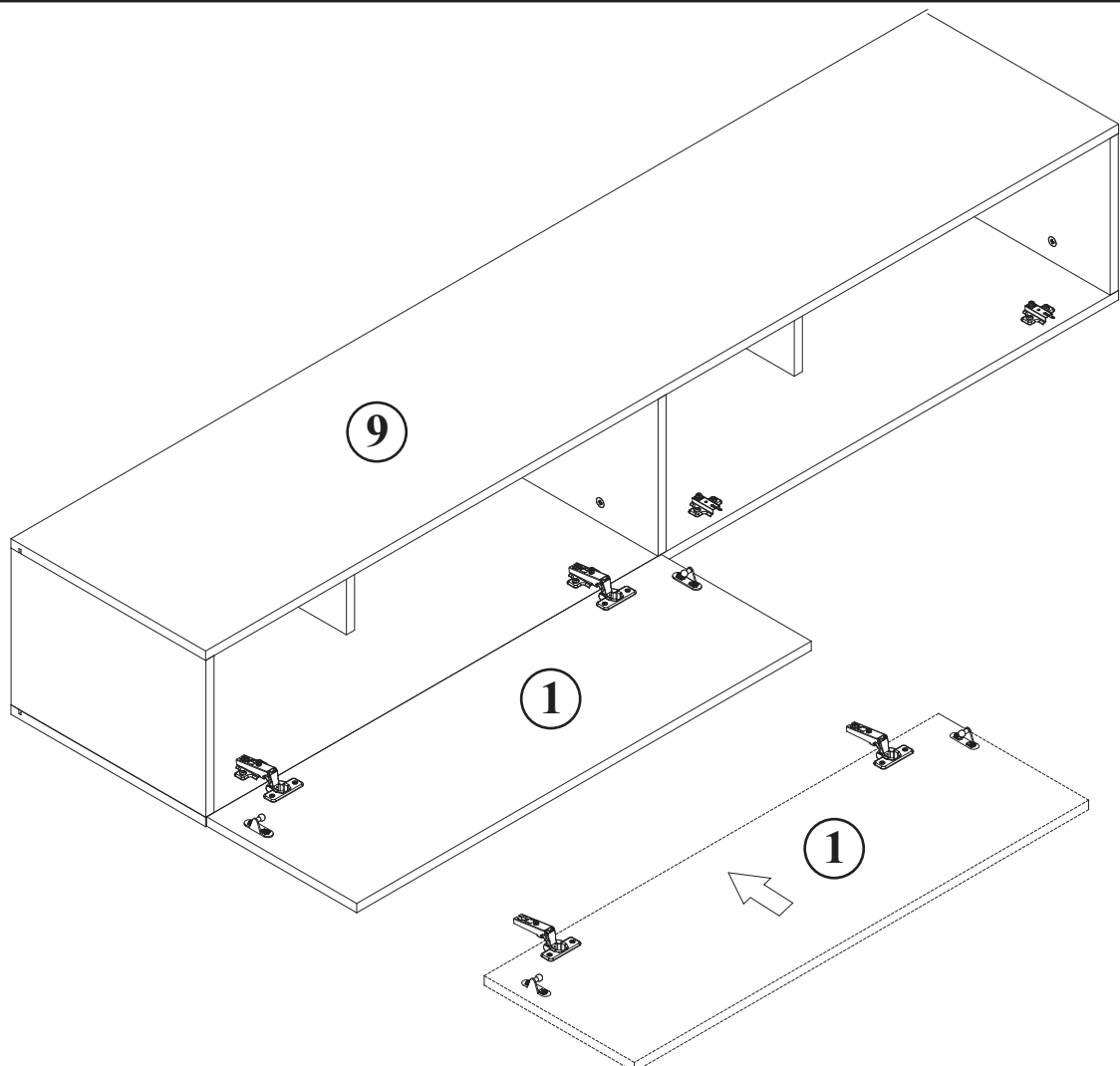
S1	
x14	

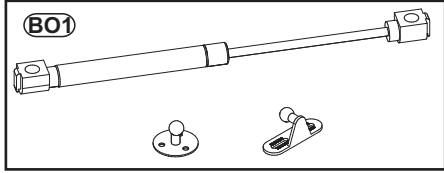
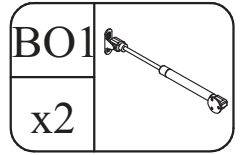


13

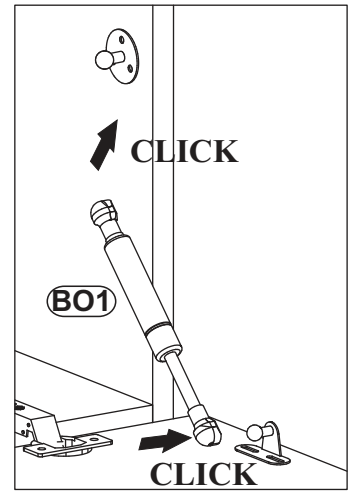
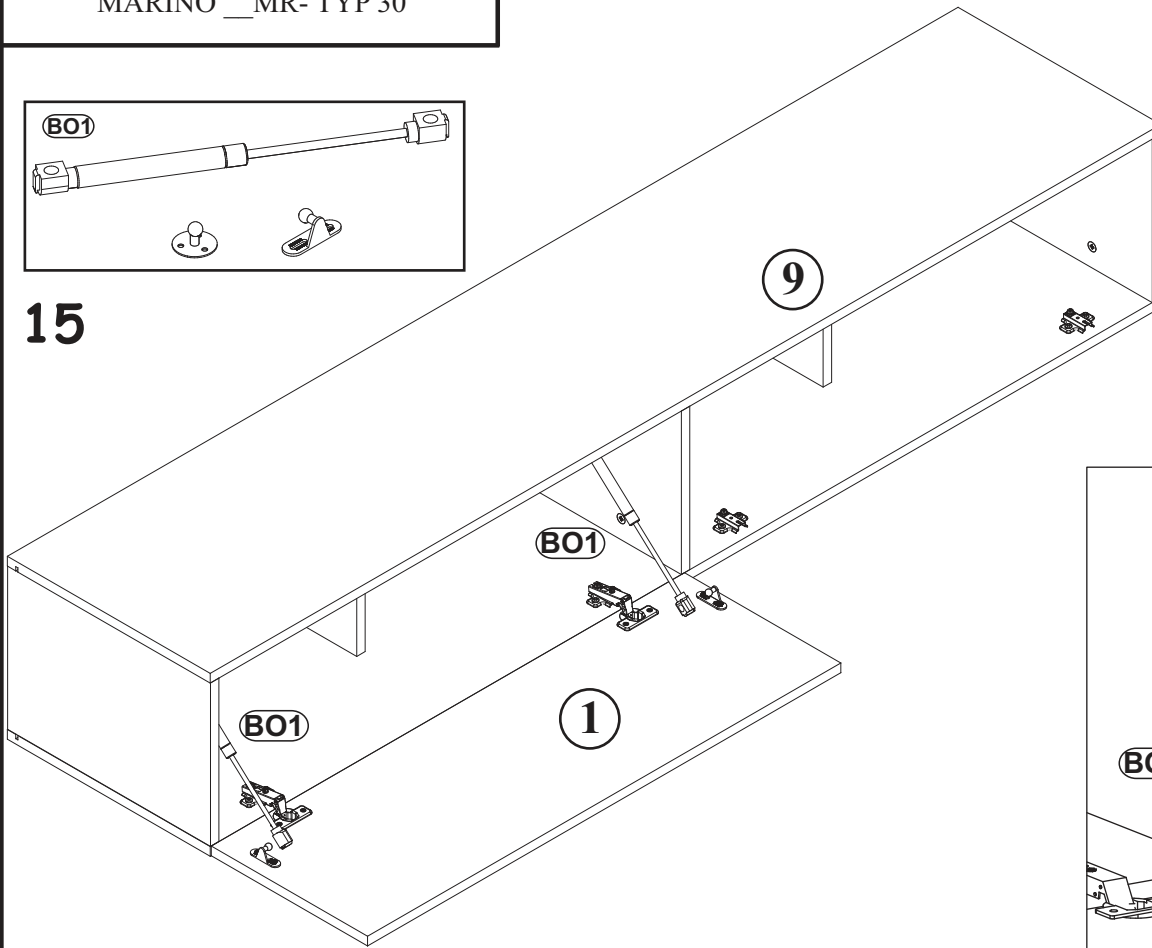


14

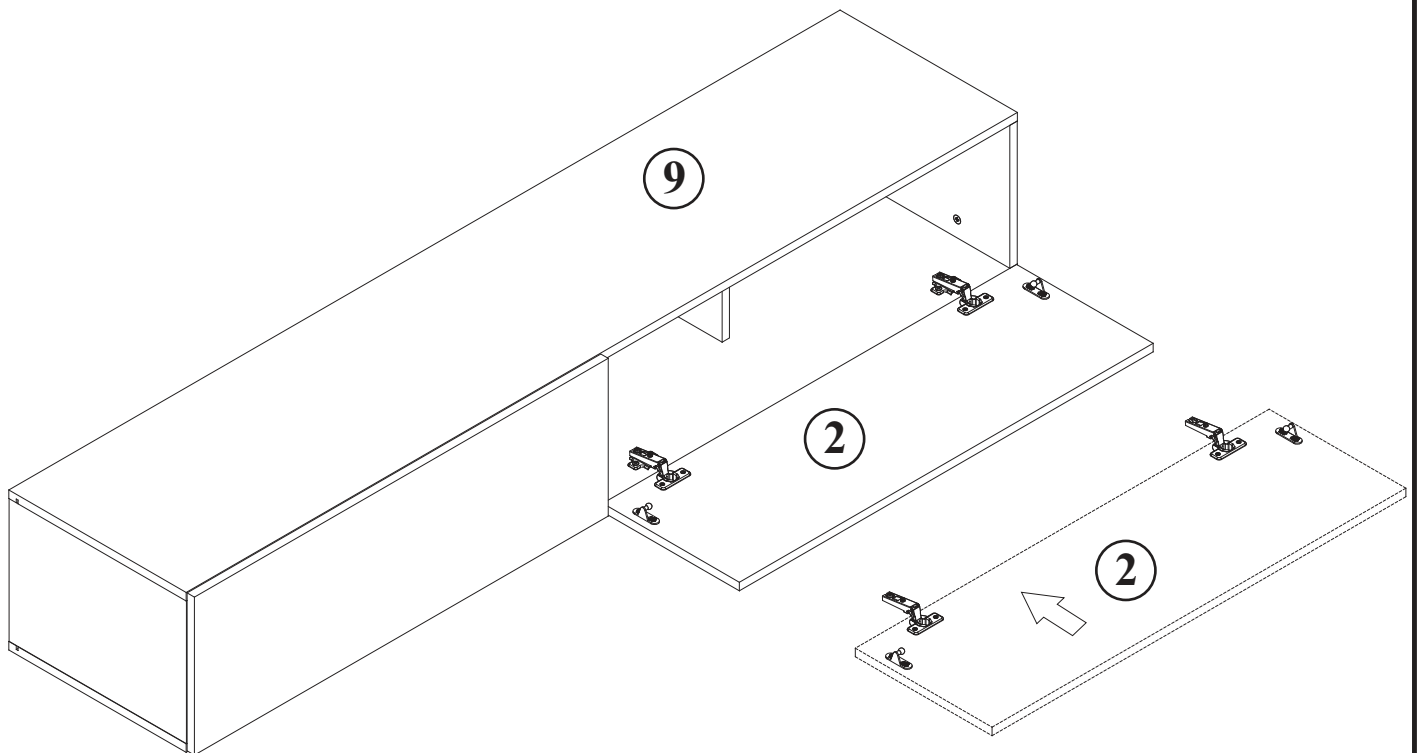


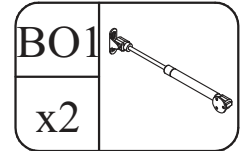
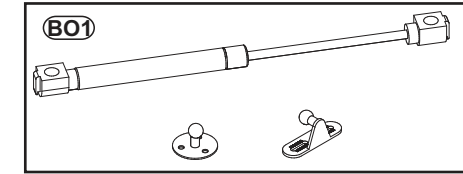


15

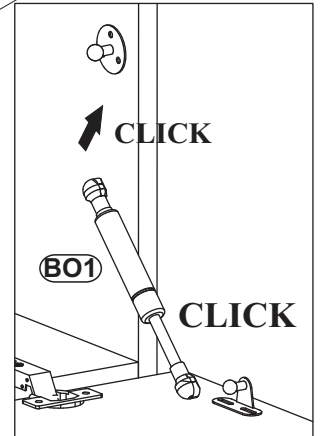
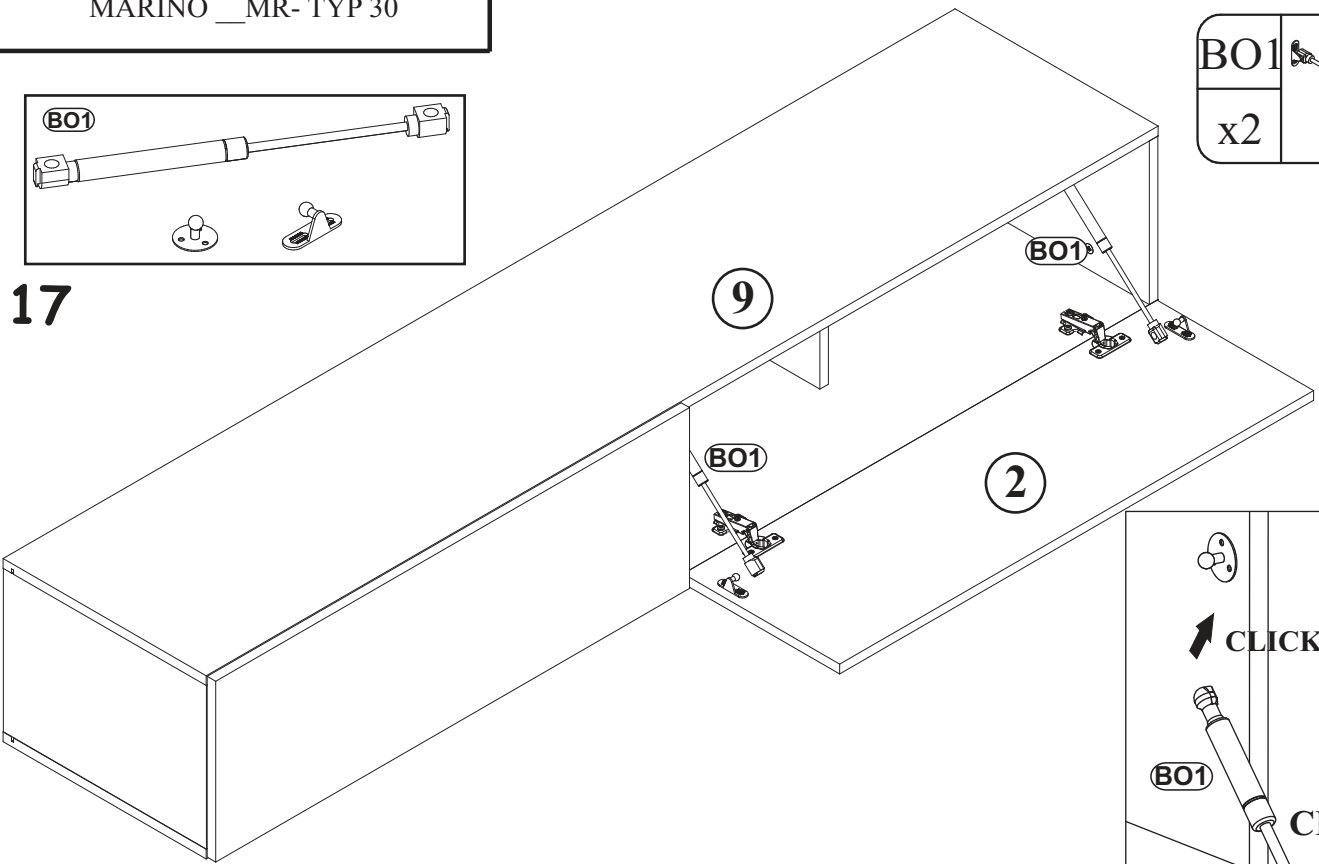


16

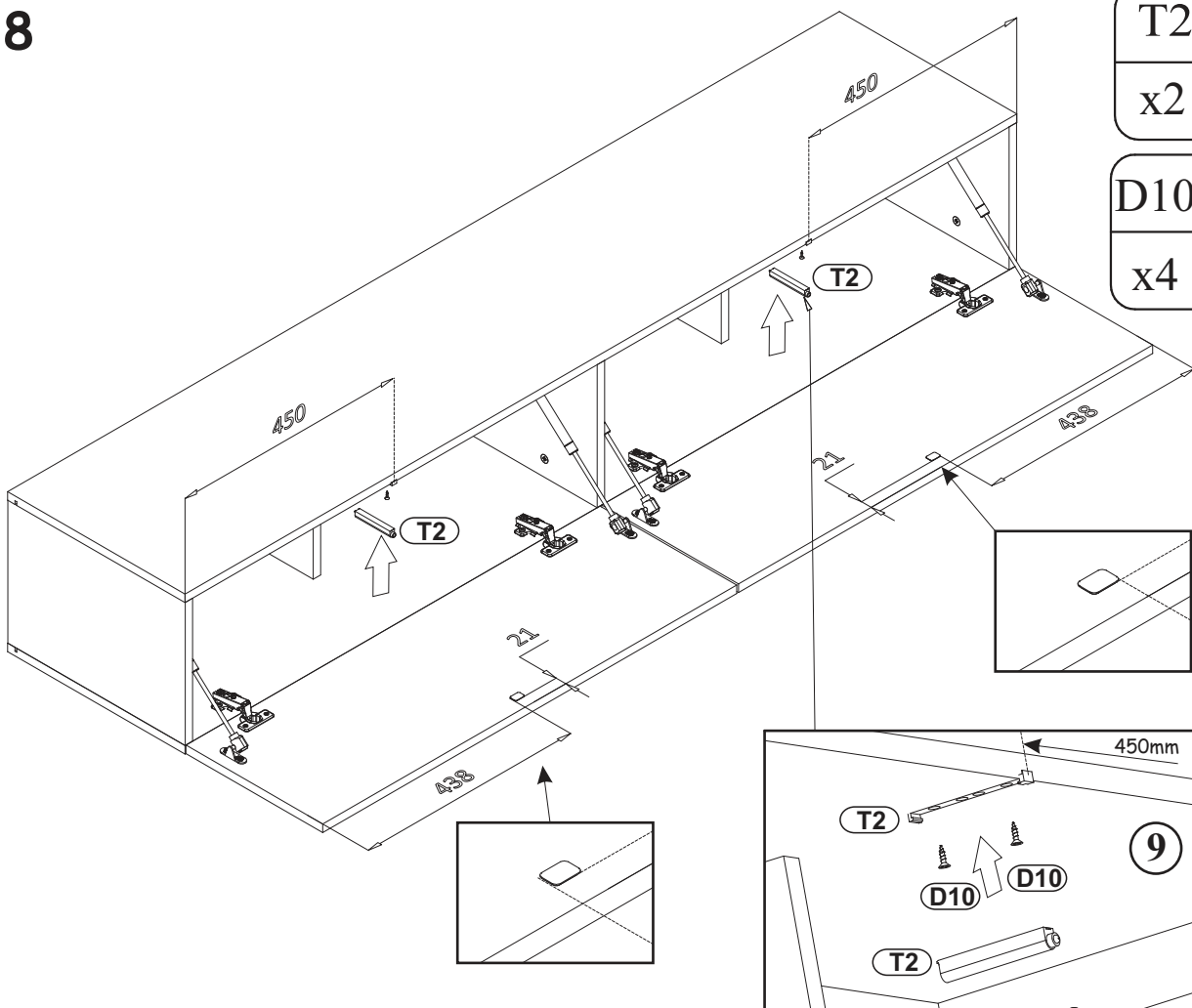
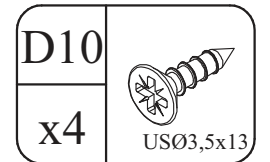
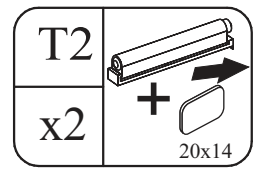




17



18



19

