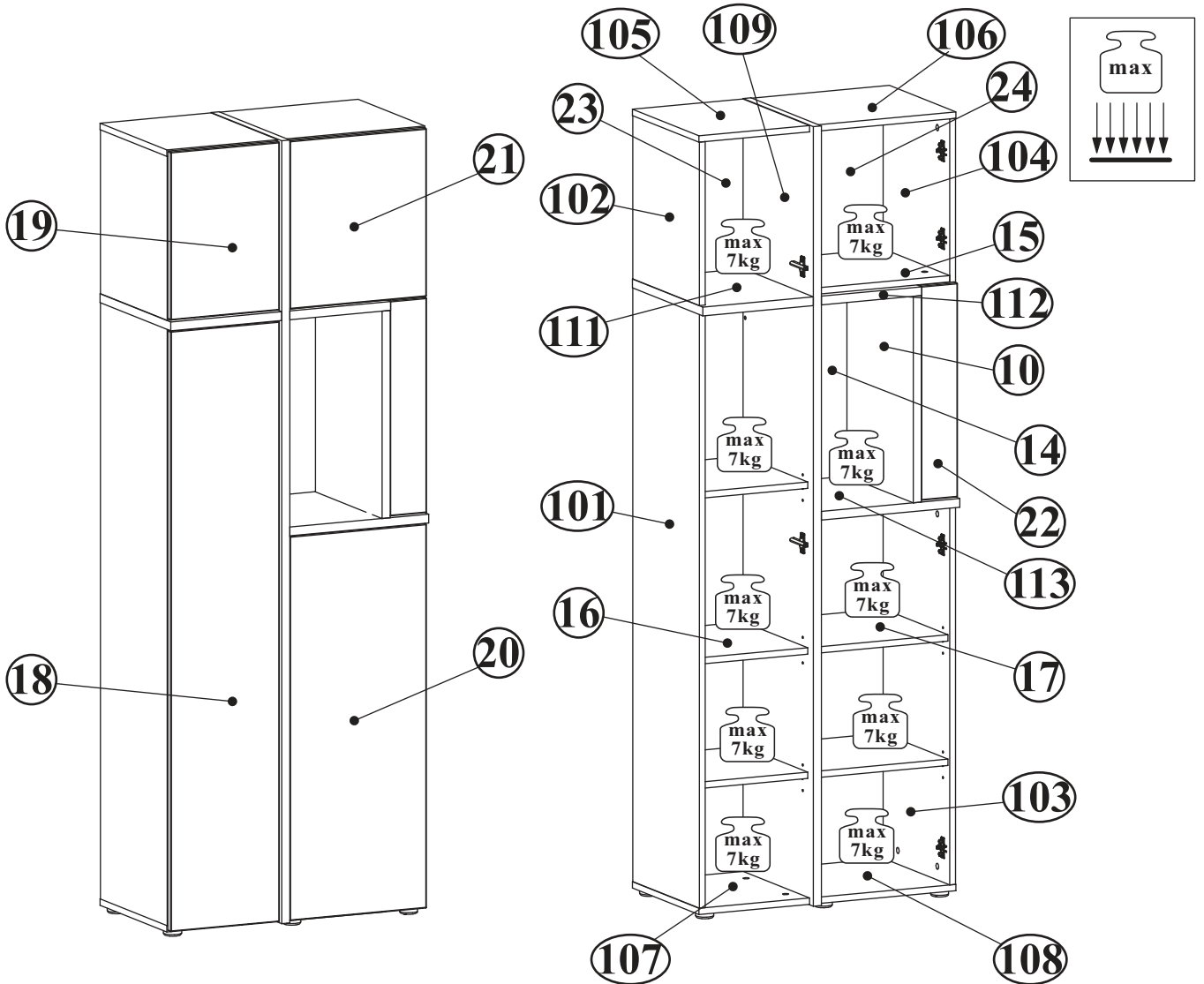
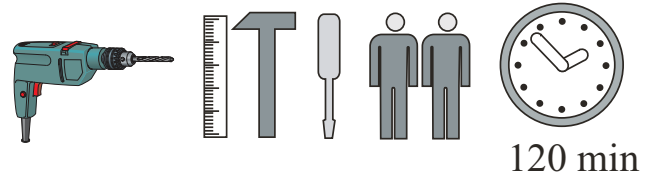


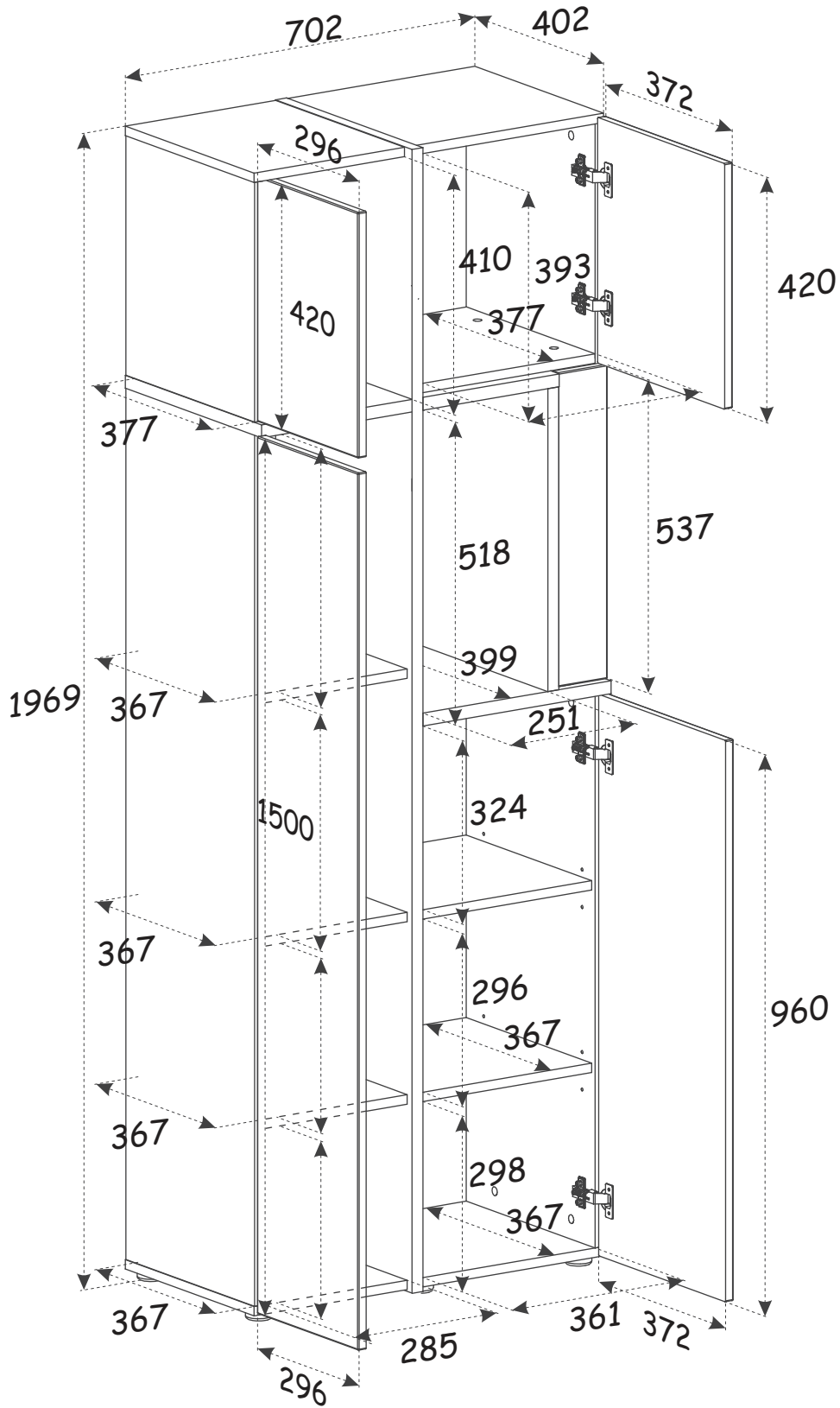
# CROSS 28 \*\* CS WSW



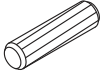
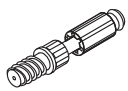
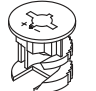

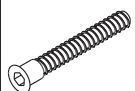

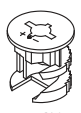
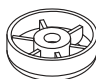
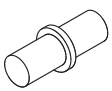
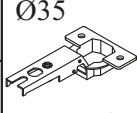
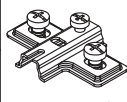
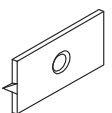
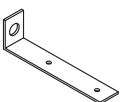
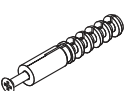
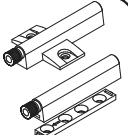
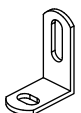
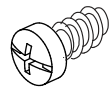
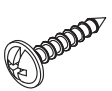



| NO  | Dim. |     |    | Qty | Qty |
|-----|------|-----|----|-----|-----|
| 101 | 1490 | 377 | 16 | 3   | 1   |
| 102 | 410  | 377 | 16 | 3   | 1   |
| 103 | 950  | 377 | 16 | 3   | 1   |
| 104 | 950  | 377 | 16 | 3   | 1   |
| 105 | 302  | 377 | 16 | 1   | 1   |
| 106 | 378  | 377 | 16 | 1   | 1   |
| 107 | 302  | 377 | 16 | 1   | 1   |
| 108 | 378  | 377 | 16 | 1   | 1   |
| 15  | 361  | 377 | 16 | 1   | 1   |
| 16  | 285  | 367 | 16 | 1   | 3   |
| 17  | 361  | 367 | 16 | 1   | 2   |
| 109 | 1956 | 399 | 22 | 3   | 1   |
| 10  | 518  | 399 | 22 | 1   | 1   |
| 111 | 302  | 399 | 22 | 1   | 1   |
| 112 | 274  | 399 | 22 | 1   | 1   |
| 113 | 378  | 399 | 22 | 1   | 1   |
| 14  | 250  | 517 | 22 | 1   | 1   |
| 18  | 1500 | 296 | 16 | 2   | 1   |
| 19  | 420  | 296 | 16 | 2   | 1   |
| 20  | 960  | 372 | 16 | 2   | 1   |
| 21  | 420  | 372 | 16 | 2   | 1   |
| 22  | 537  | 100 | 16 | 2   | 1   |
| 23  | 1948 | 309 | 3  | 2   | 1   |
| 24  | 1948 | 385 | 3  | 2   | 1   |

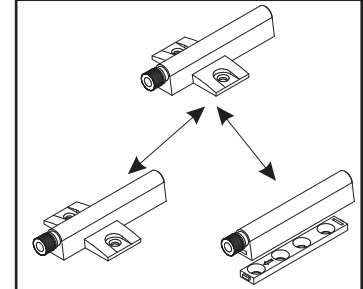
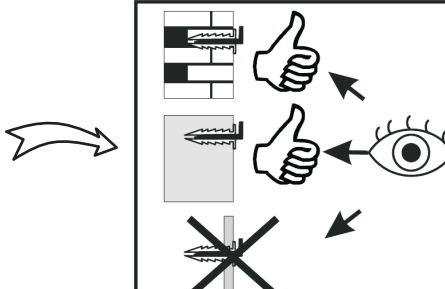
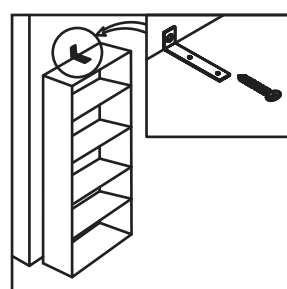
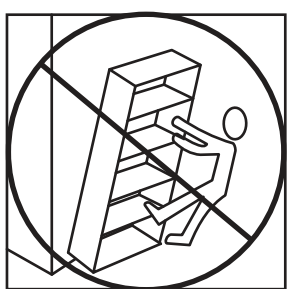
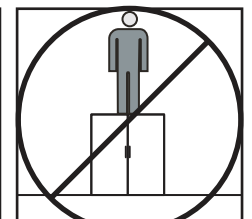
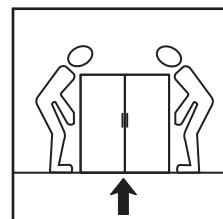
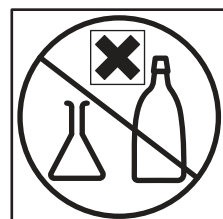
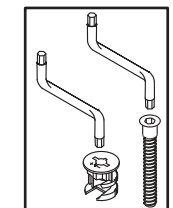
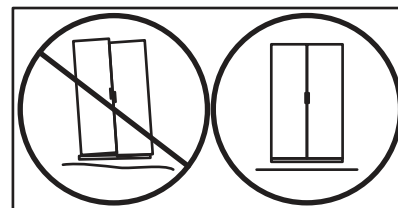
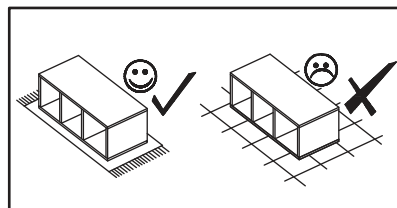
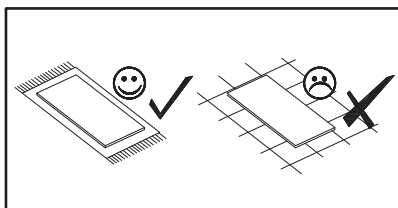
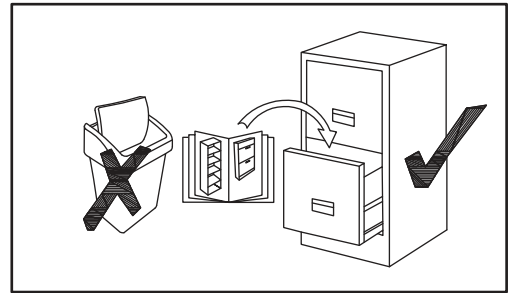
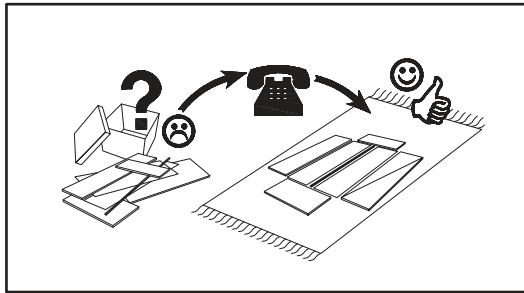
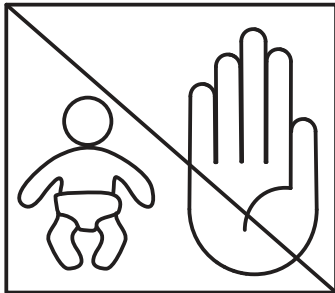
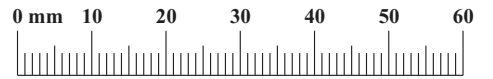


# CROSS 28 \*\* CS WSW



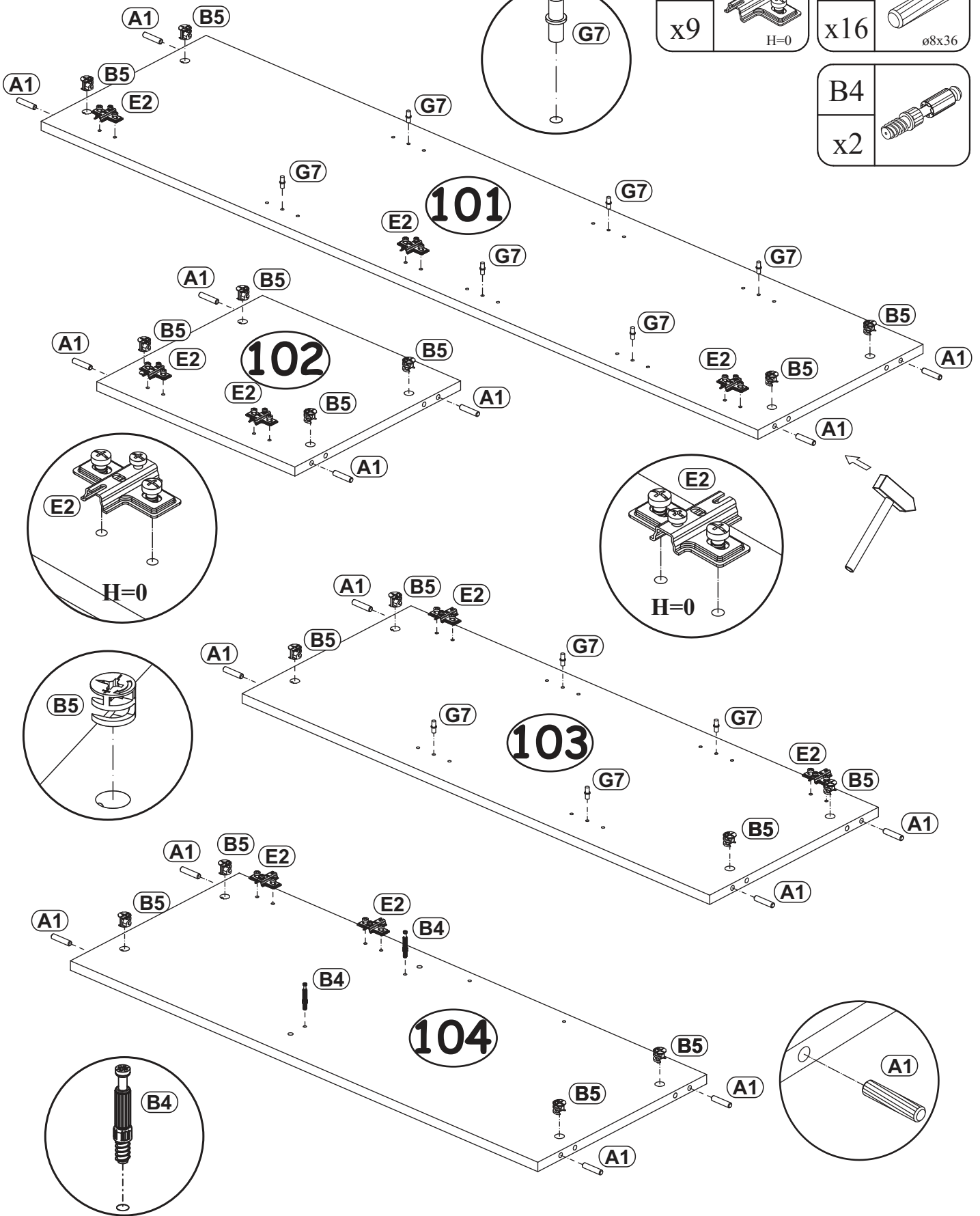
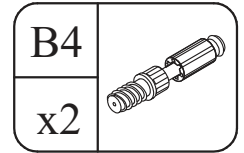
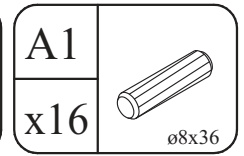
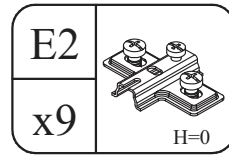
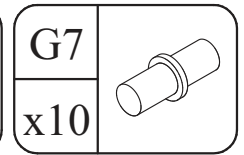
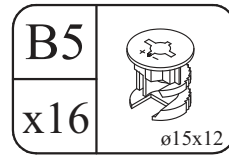
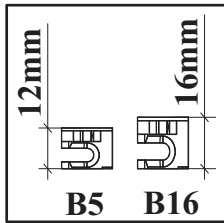
# CROSS 28 \*\* CS WSW

|  |   |  |   |   |   |
|--|---|--|---|---|---|
| A1<br>x38<br><br>ø8x36      | B4<br>x34<br>              | B5<br>x28<br><br>ø15x12 | G5<br>x34<br>                | B15<br>x8<br><br>Ø7x60     | G4<br>x8<br>               |
| B16<br>x6<br><br>Ø15x16     | I11<br>x6<br><br>Ø45, h=15 | G7<br>x22<br>           | E21<br>x9<br><br>Ø35<br>H=0 | E2<br>x9<br><br>H=0        | G16<br>x13<br>             |
| L1<br>x2<br>                | KR1<br>x2<br>              | T3/T5<br>x4<br>         | L6<br>x3<br>                 | D31<br>x6<br><br>EKØ6,3x13 | UP13<br>x54<br><br>UPØ3x16 |
| D10<br>x30<br><br>USØ3,5x13 | UP15<br>x6<br><br>UPØ4x25  | G2<br>x1<br>            |   |   |   |

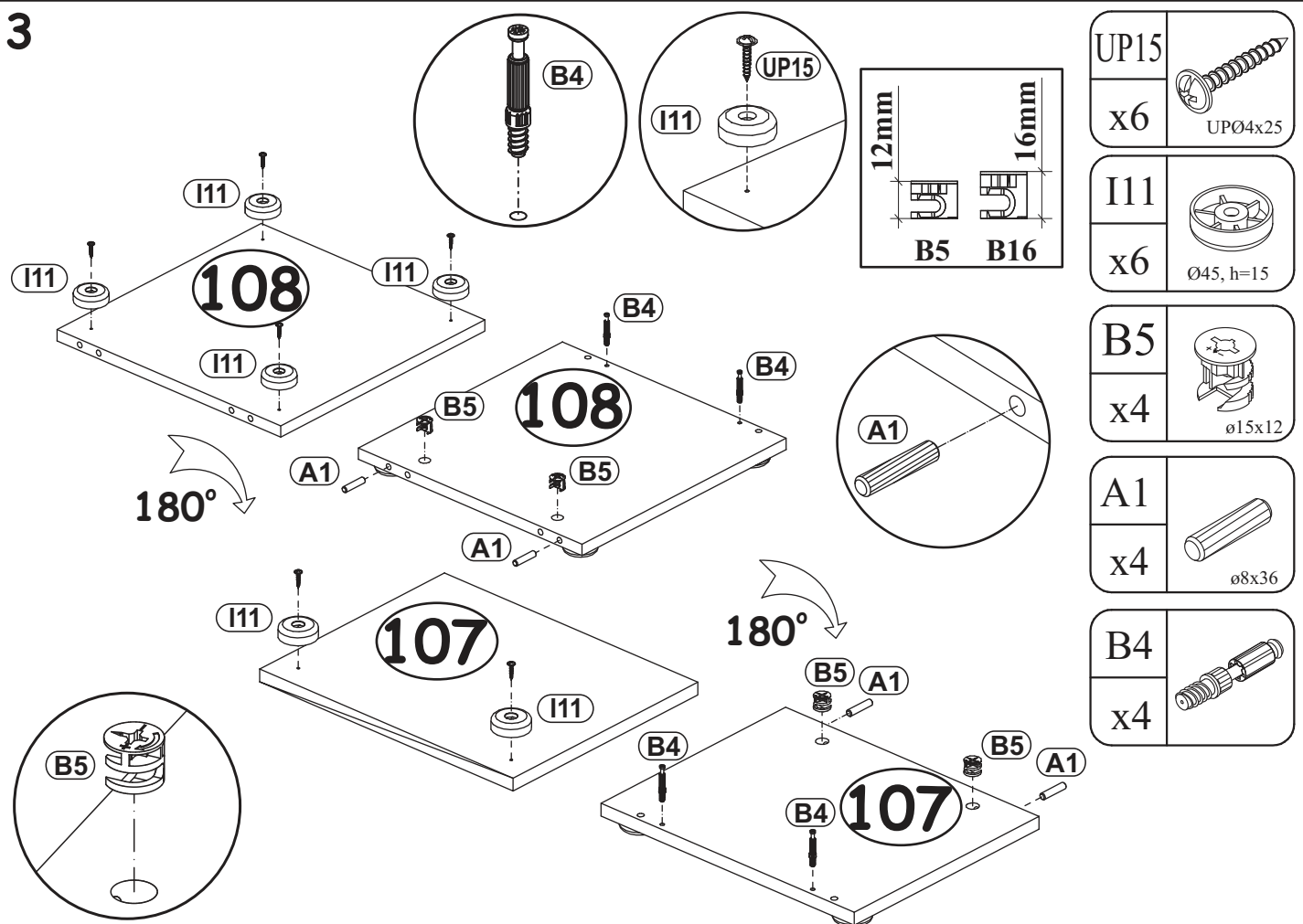
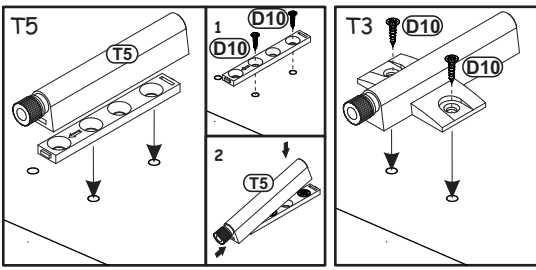
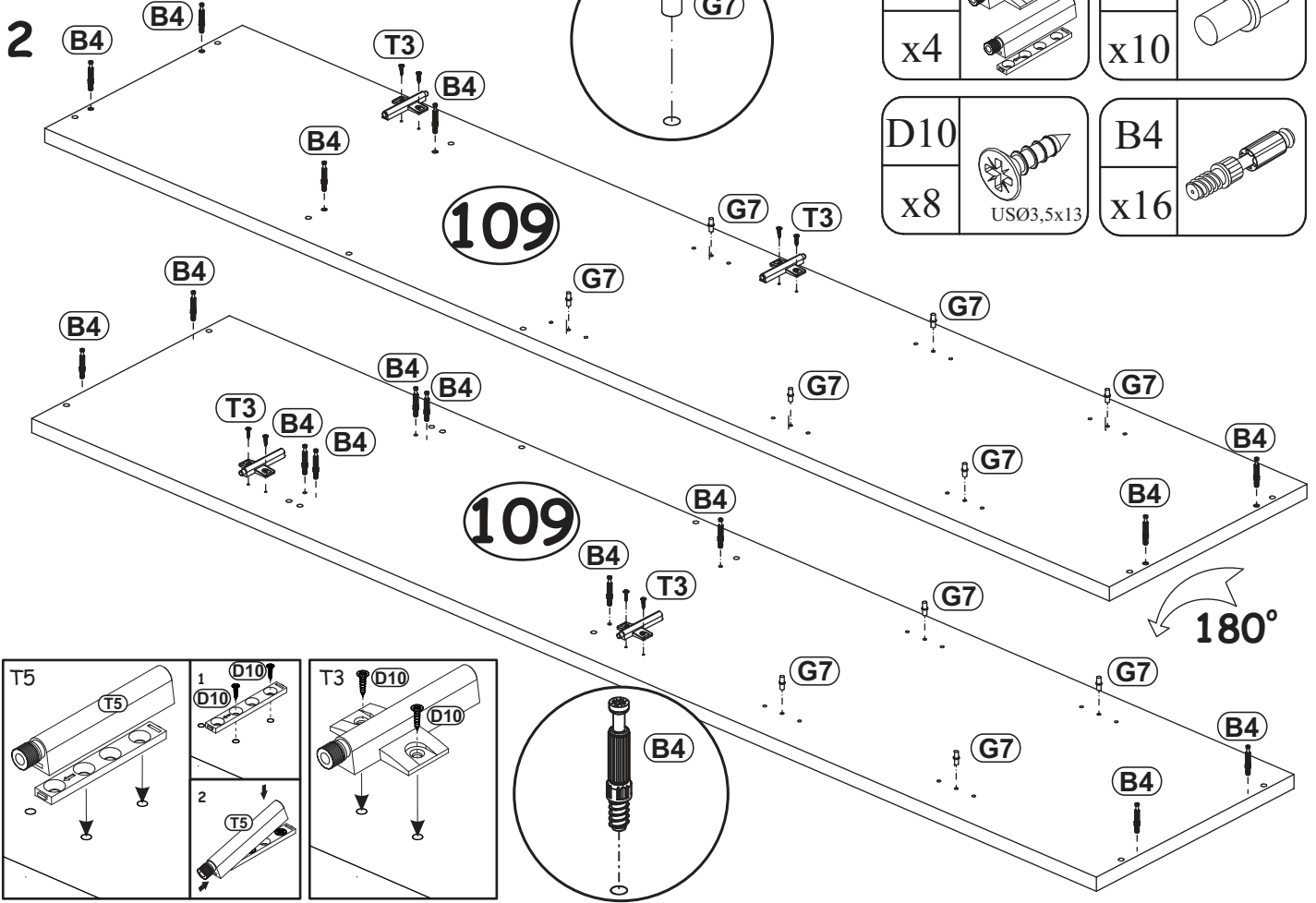


CROSS 28 \*\* CS WSW

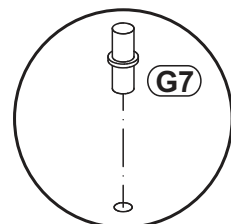
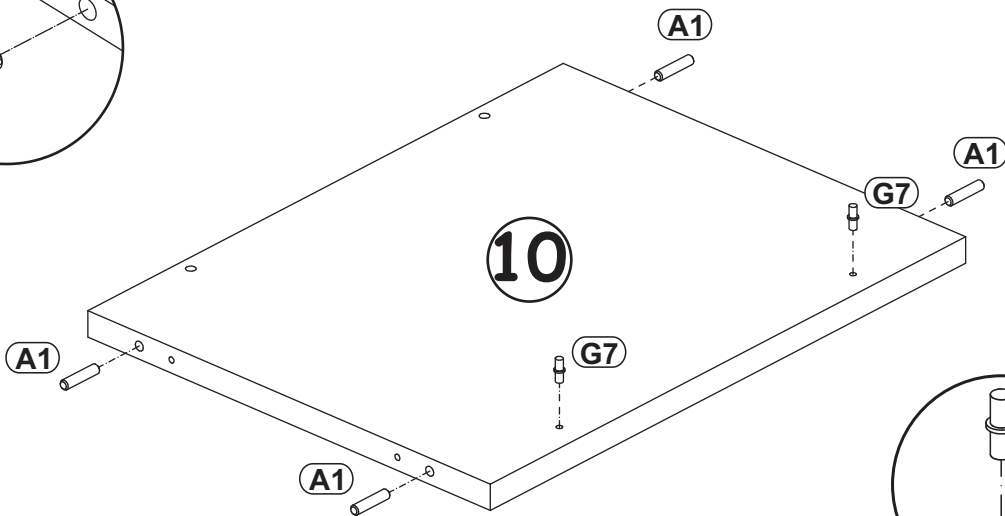
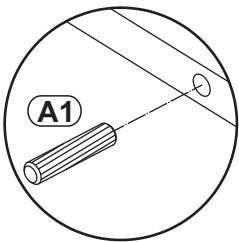
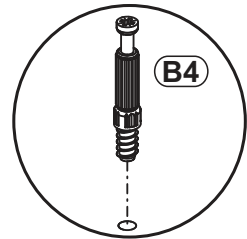
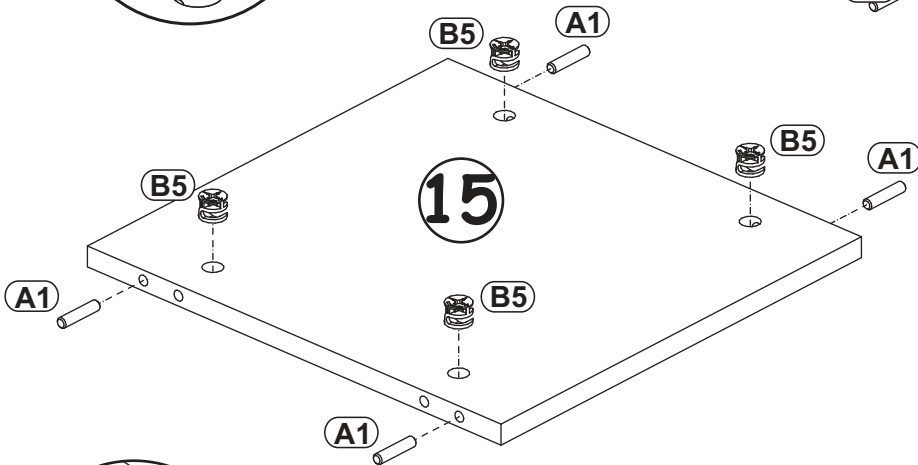
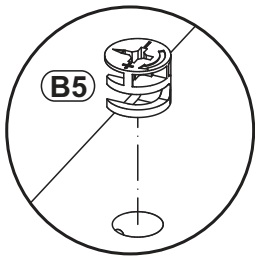
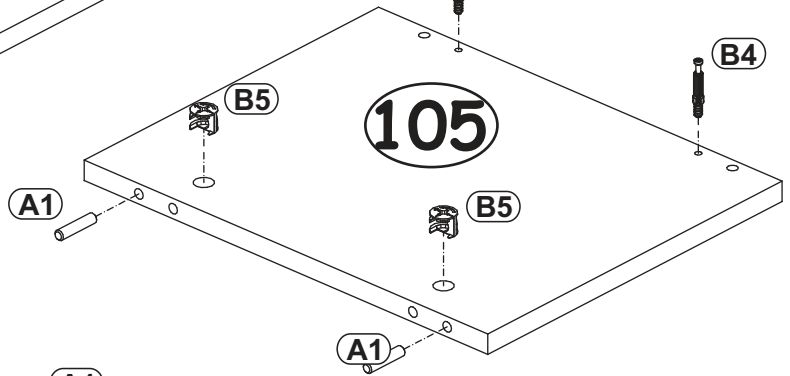
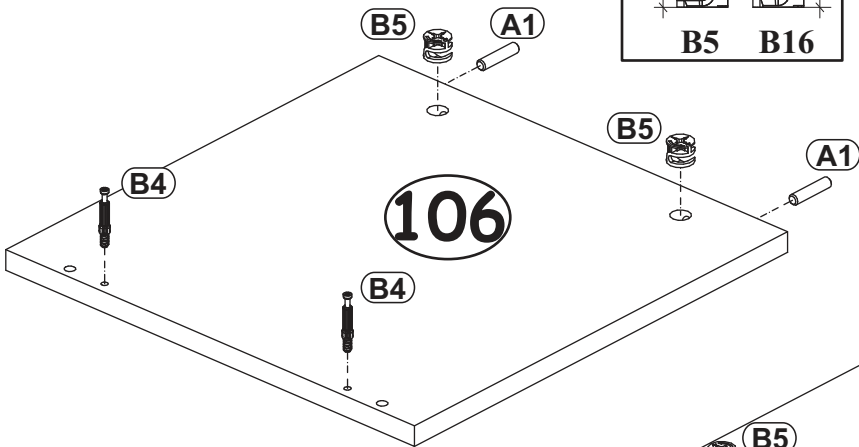
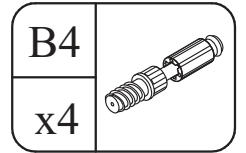
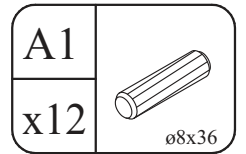
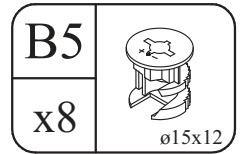
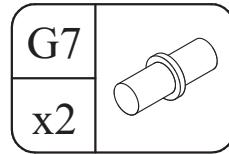
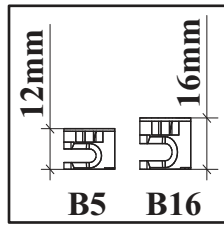
1



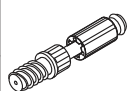
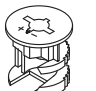
CROSS 28 \*\* CS WSW

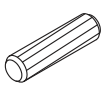


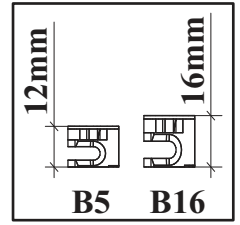
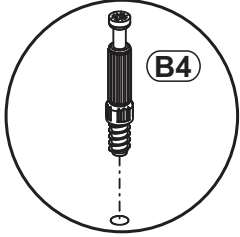
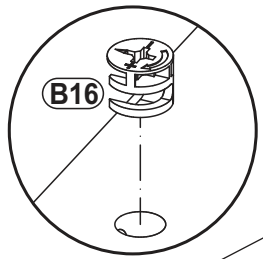
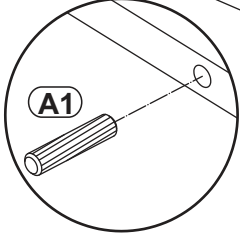
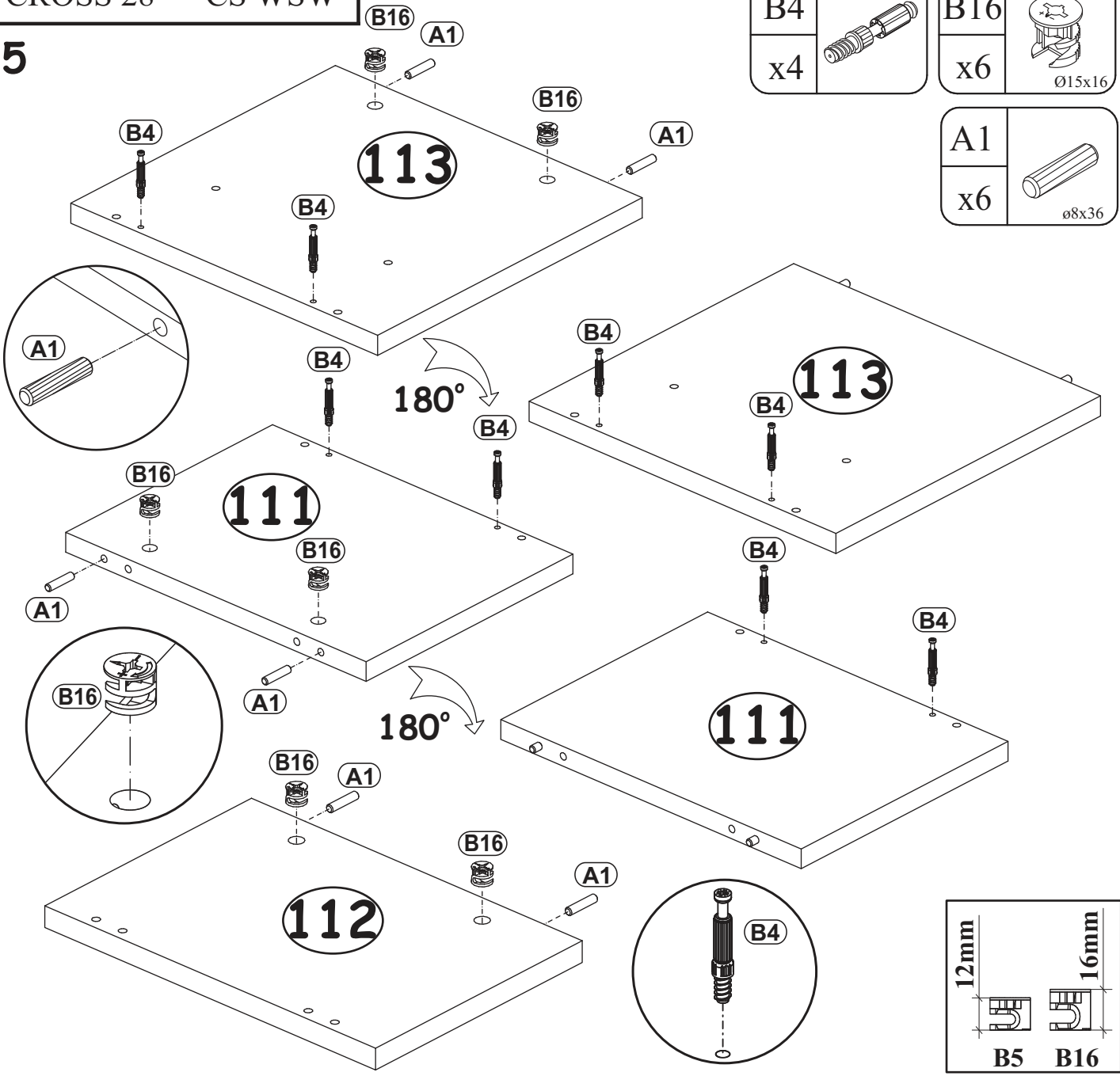
4



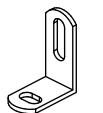
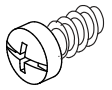
5

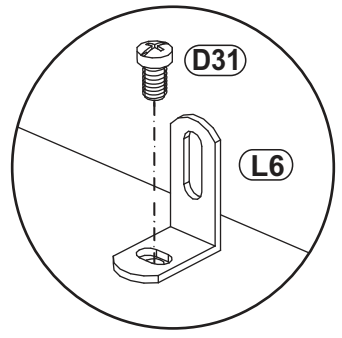
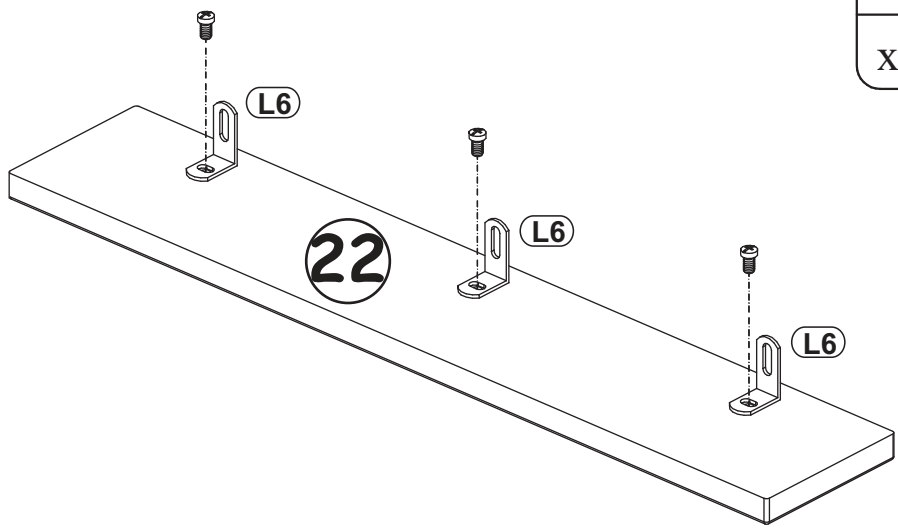
|    |   |     |   |
|----|---|-----|---|
| B4 |  | B16 |  |
| x4 |   | x6  | Ø15x16  |

|    |   |
|----|---|
| A1 |  |
| x6 | ø8x36   |



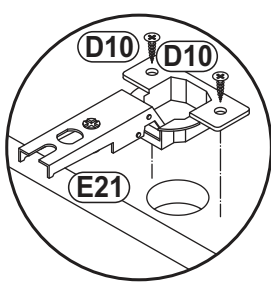
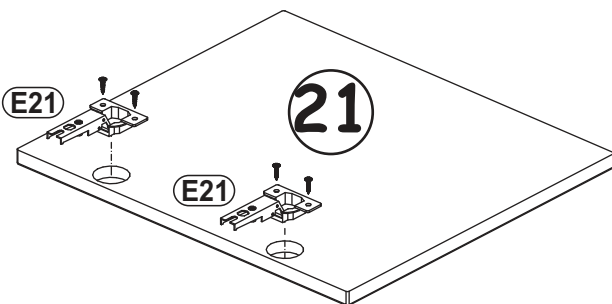
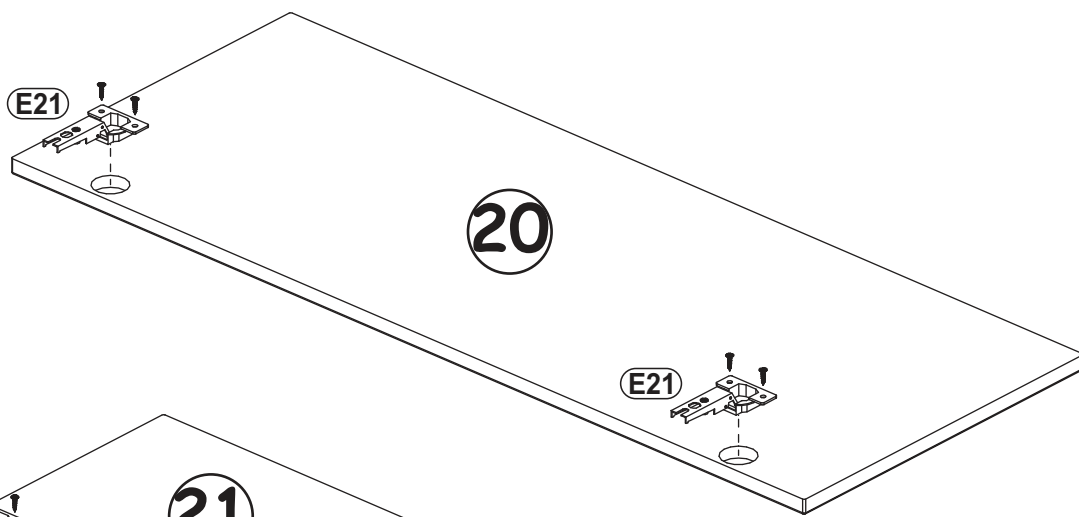
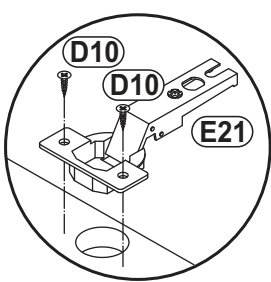
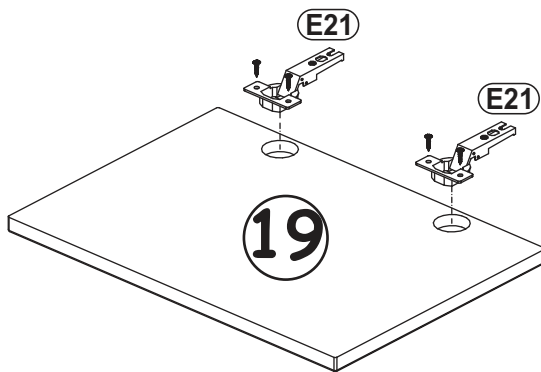
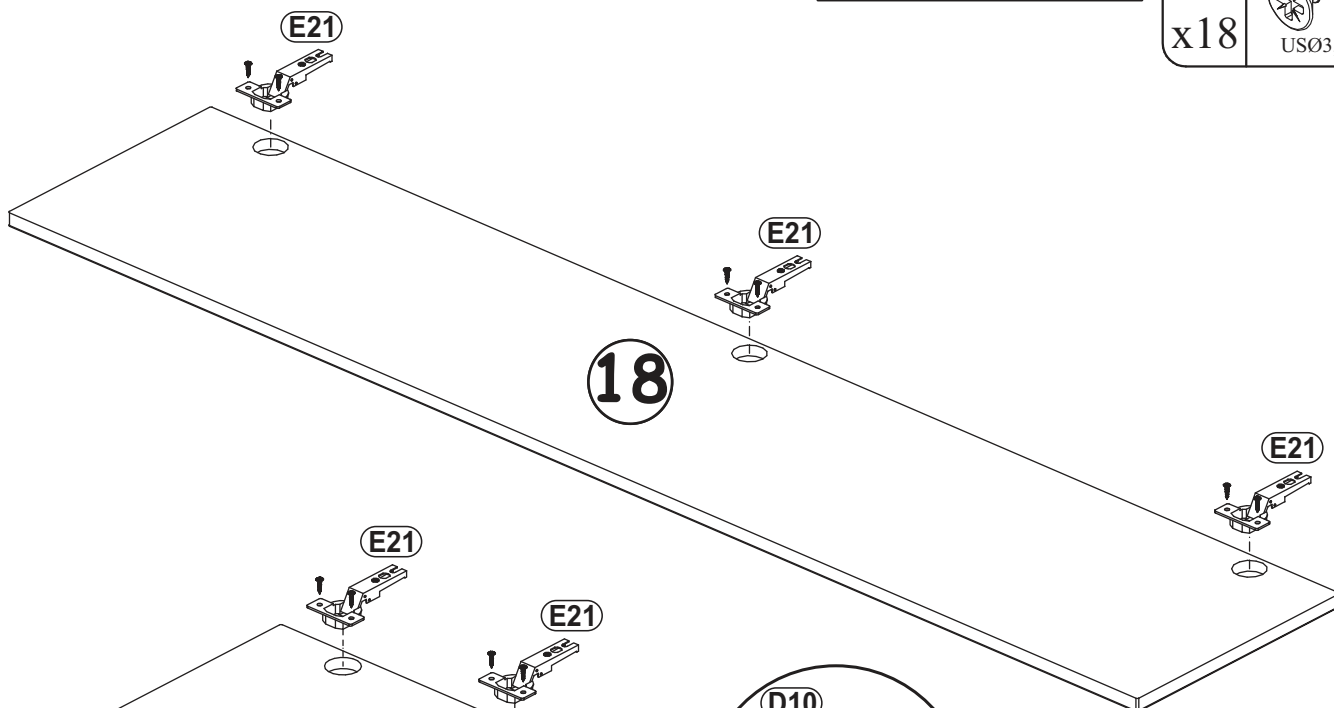
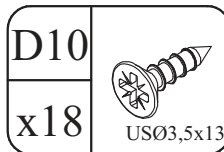
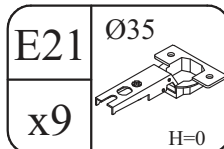
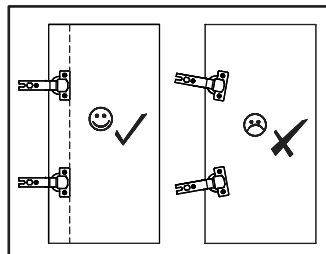
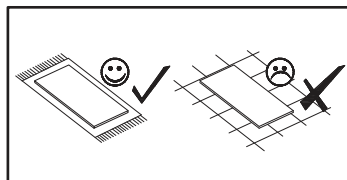
6

|    |   |     |   |
|----|---|-----|---|
| L6 |  | D31 |  |
| x3 |   | x3  | EK06,3x13   |



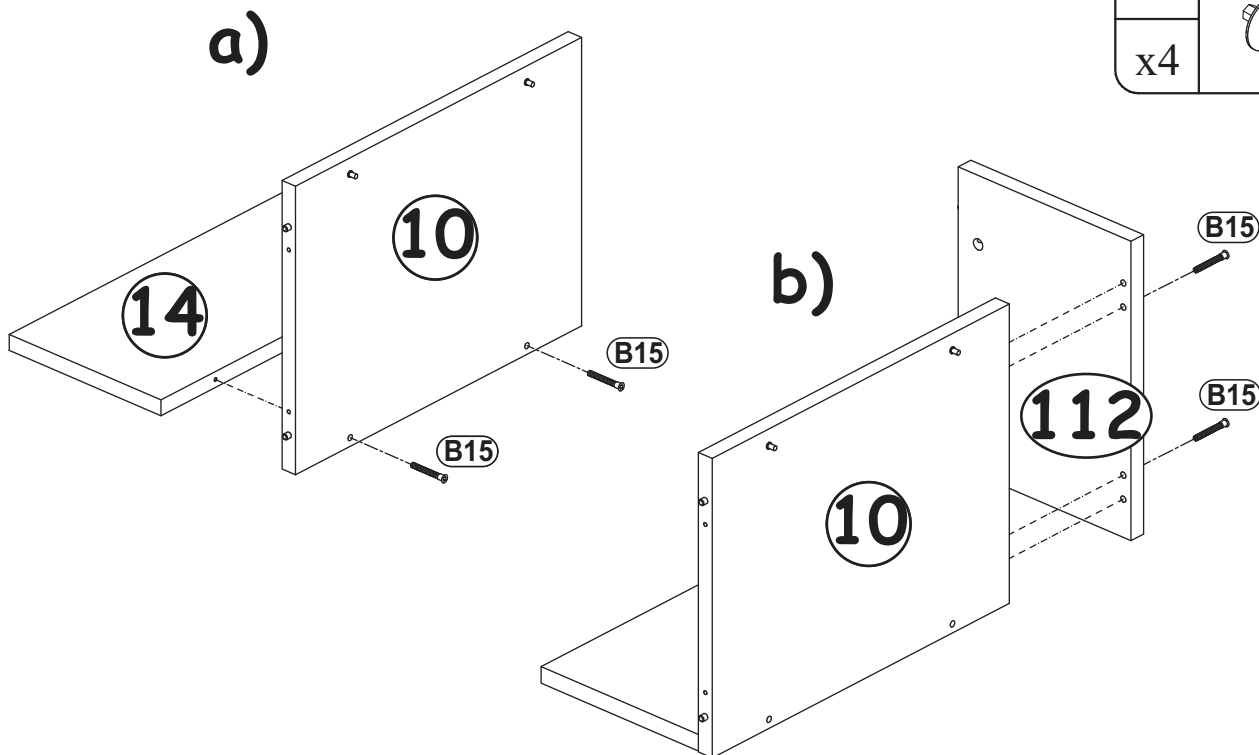
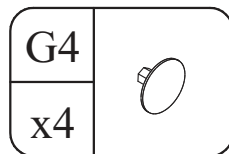
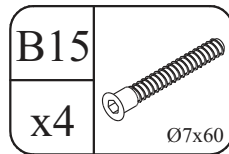
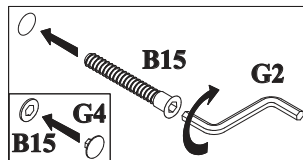


7

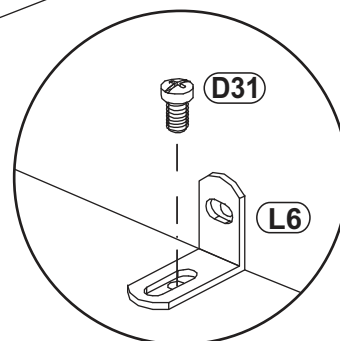
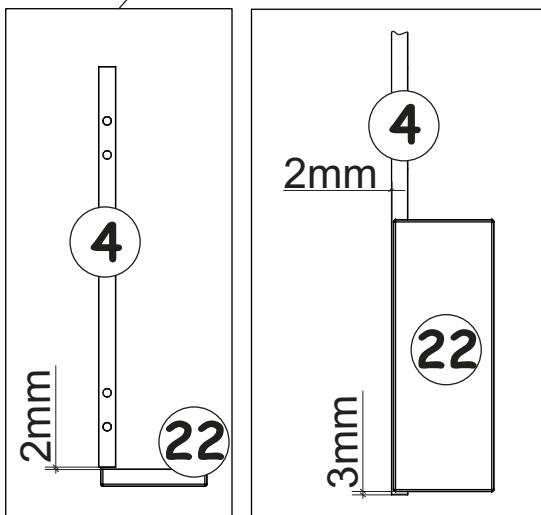
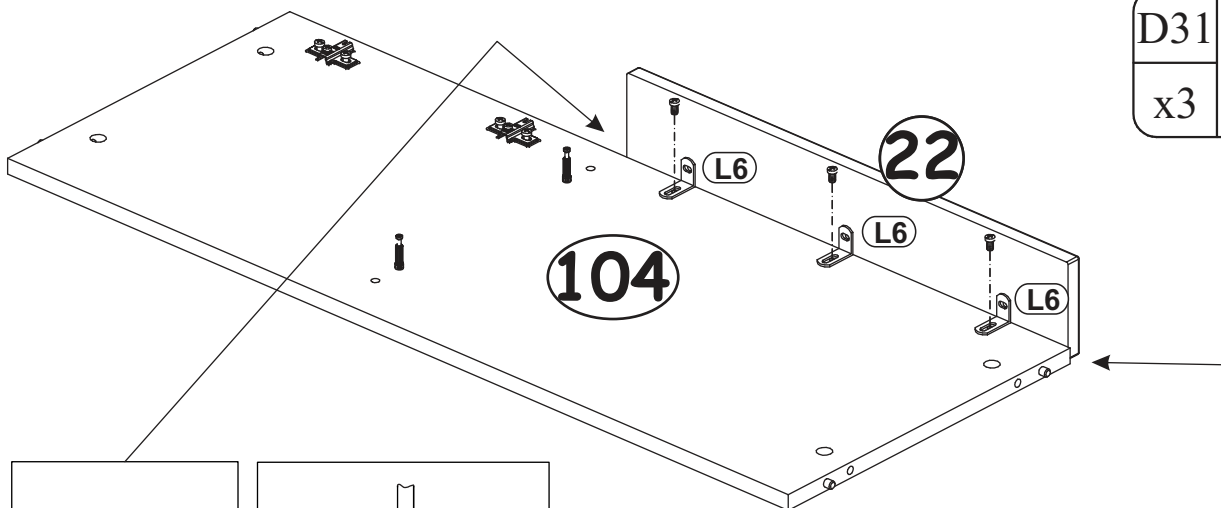
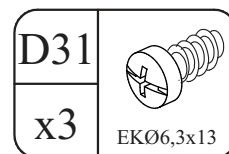





8

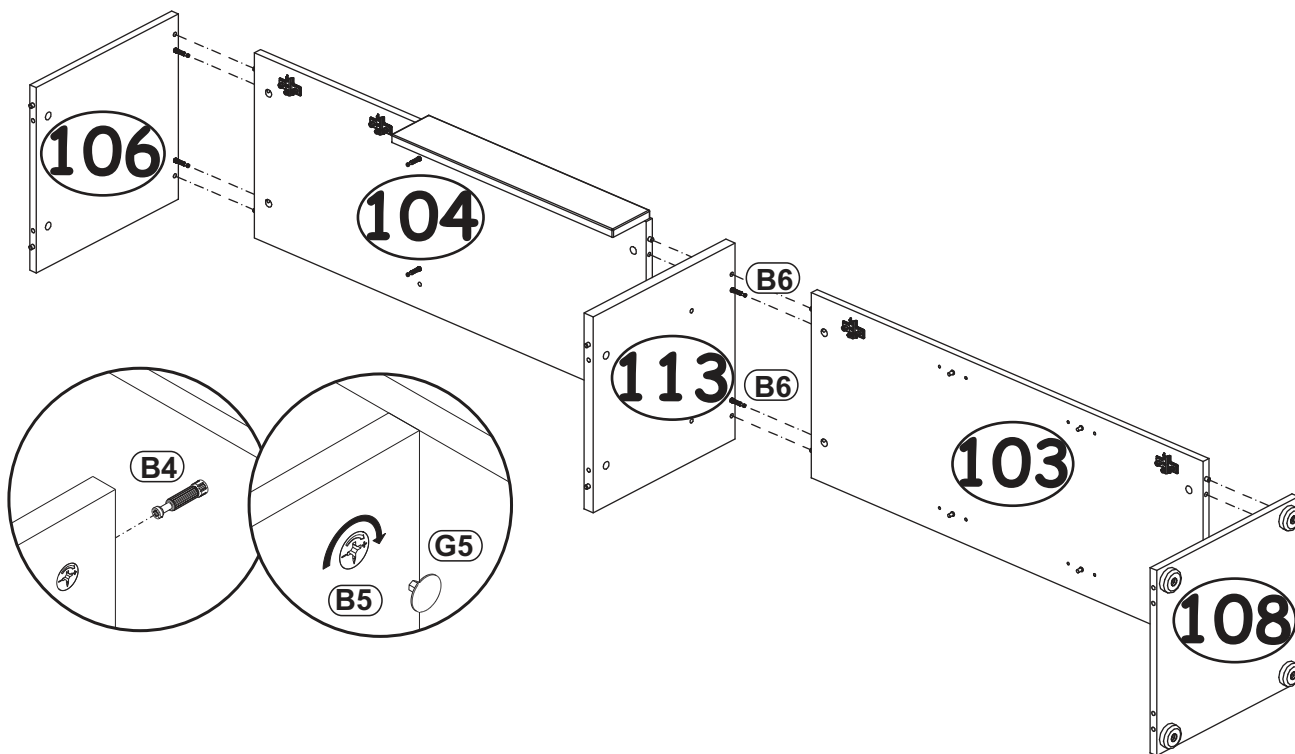


9




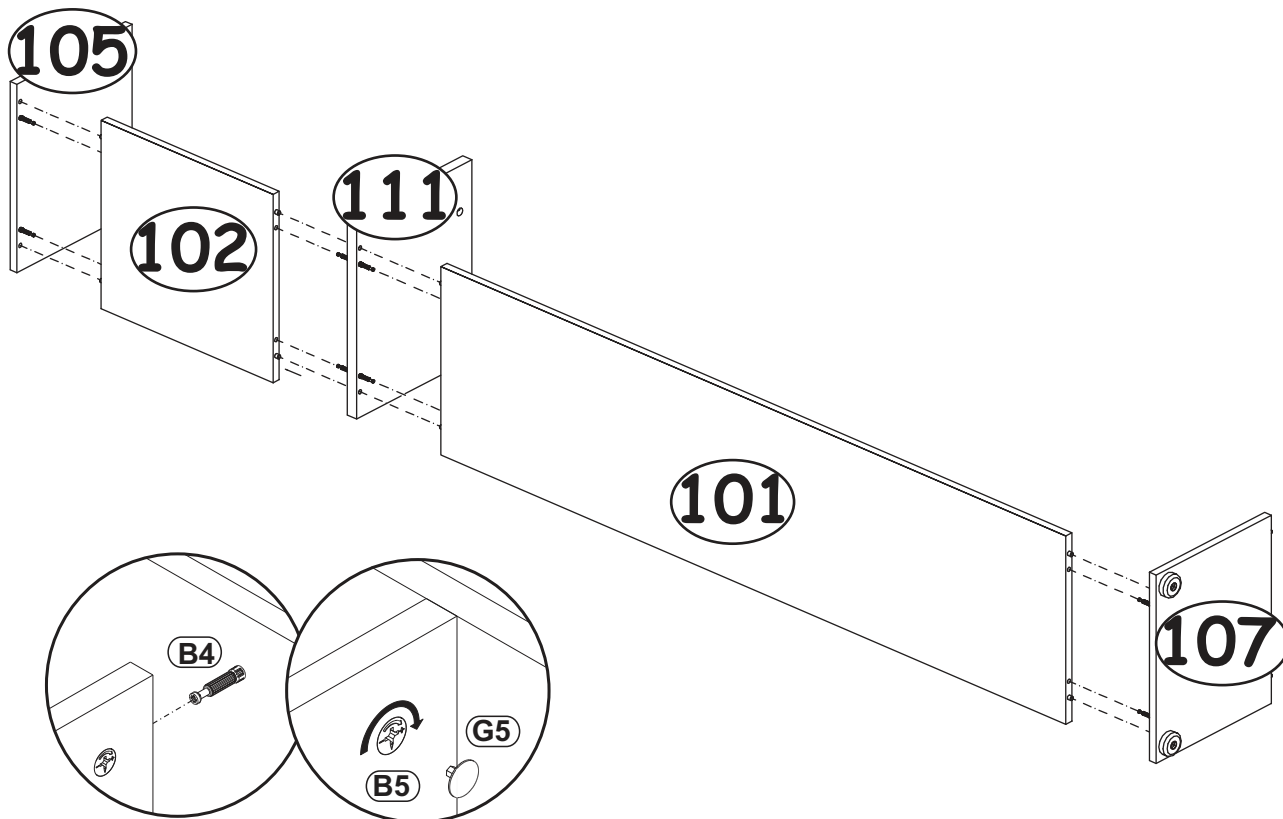
|    |   |
|----|---|
| G5 |  |
| x8 |   |

10

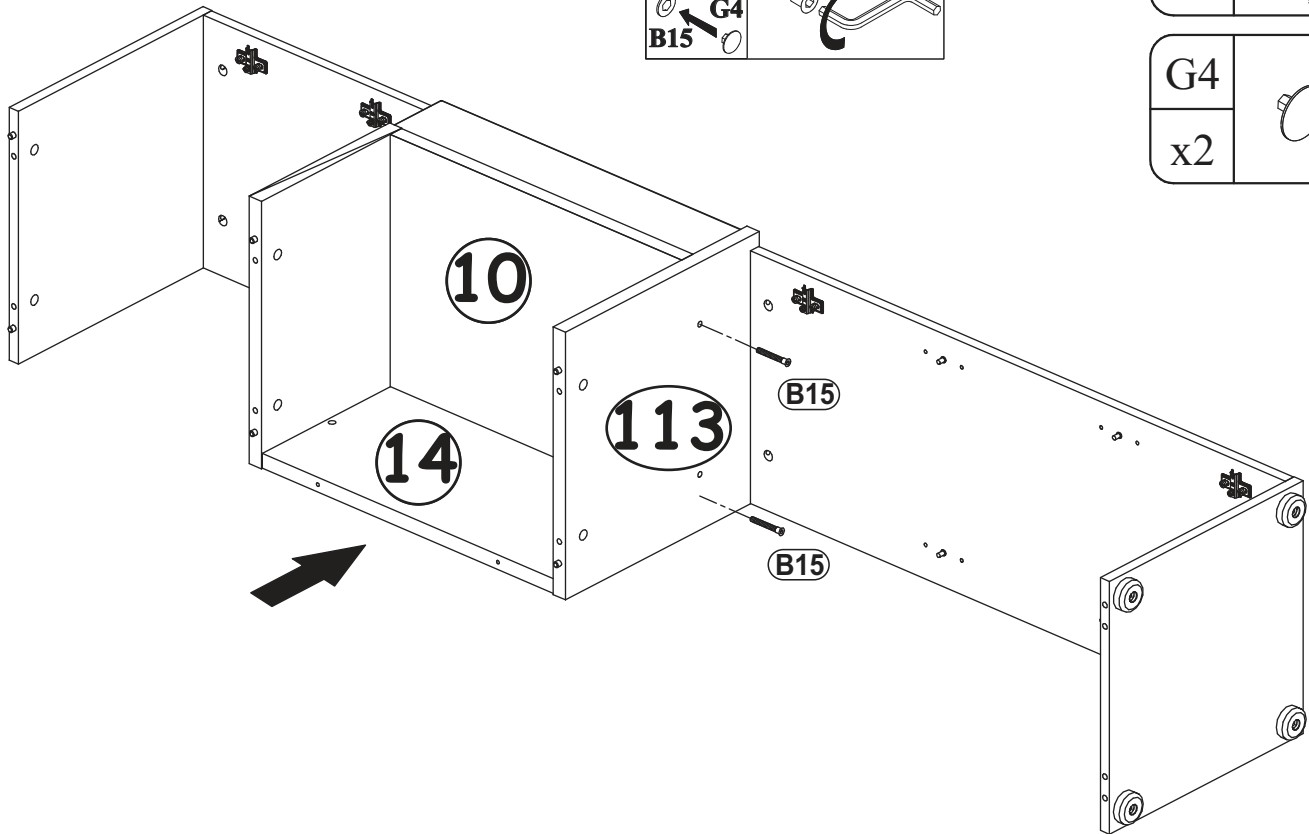
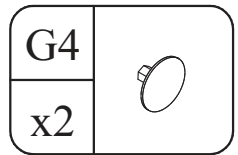
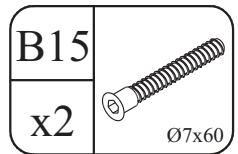
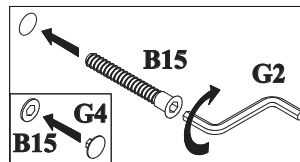


11

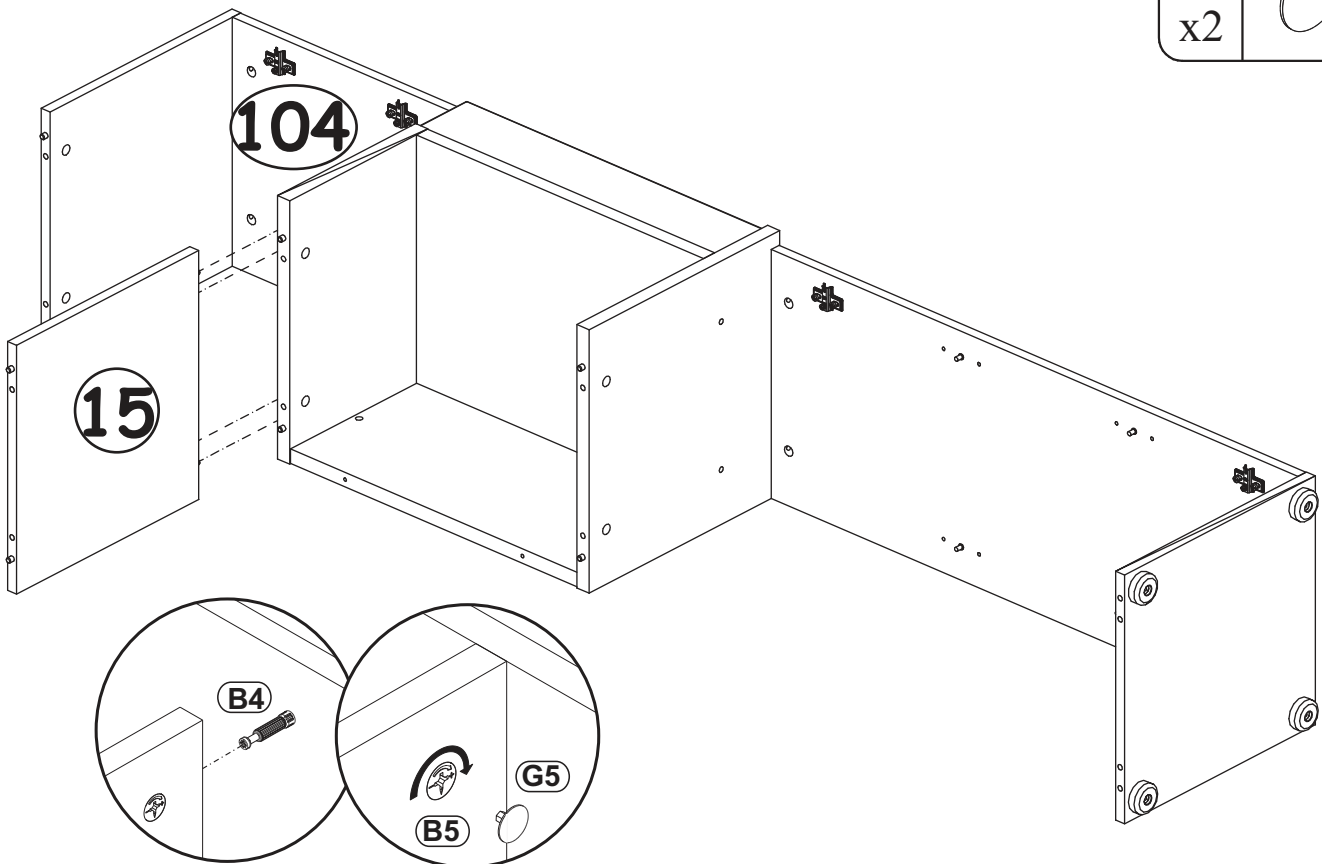
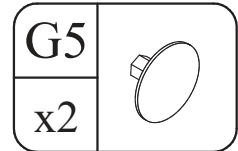
|    |   |
|----|---|
| G5 |  |
| x8 |   |



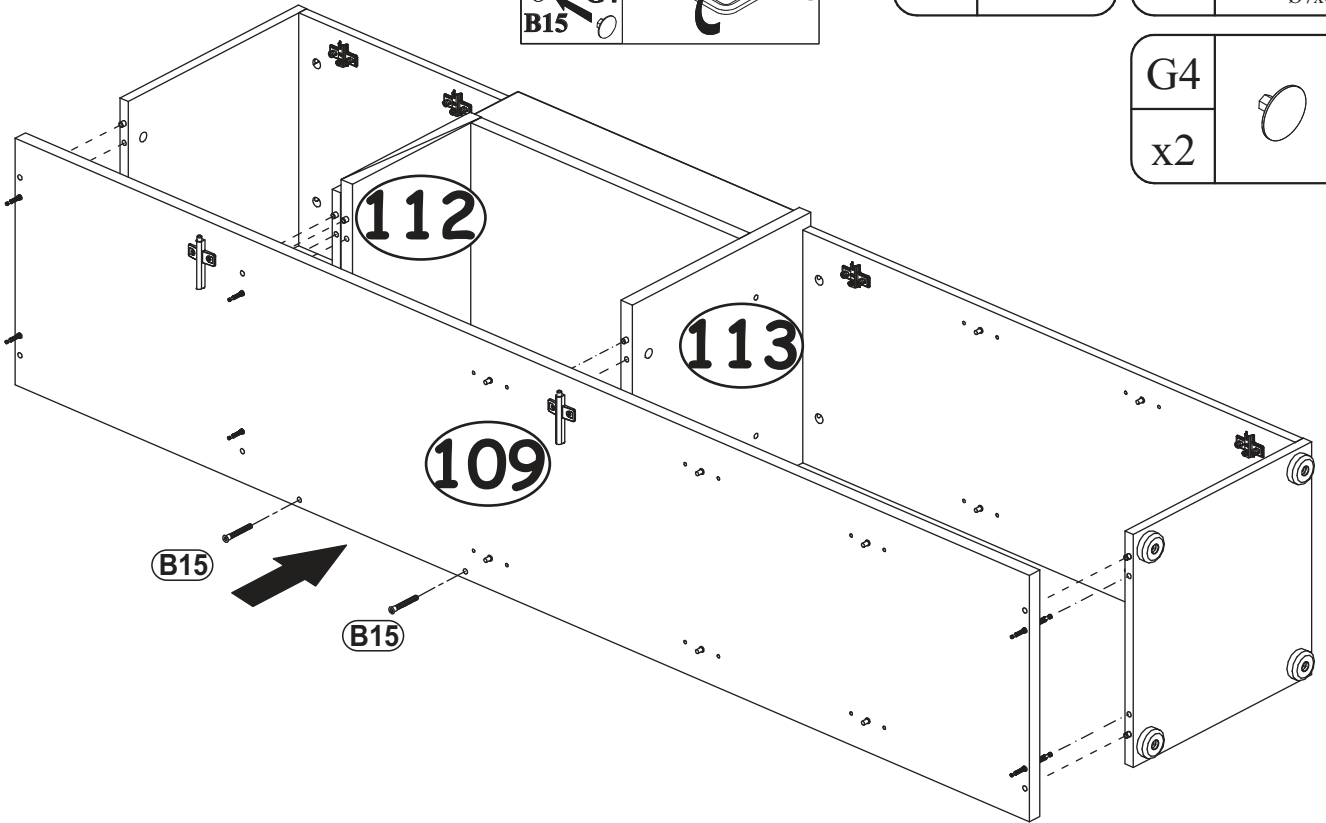
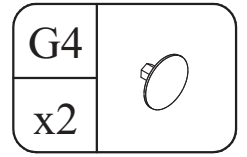
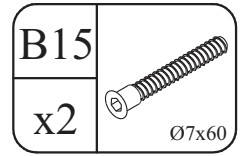
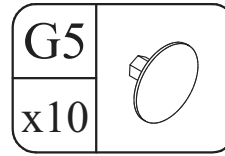
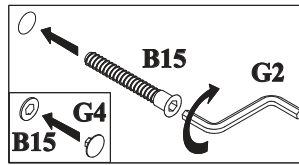
12



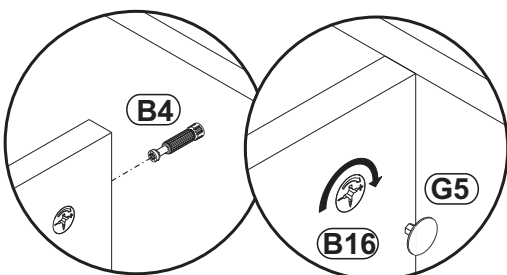
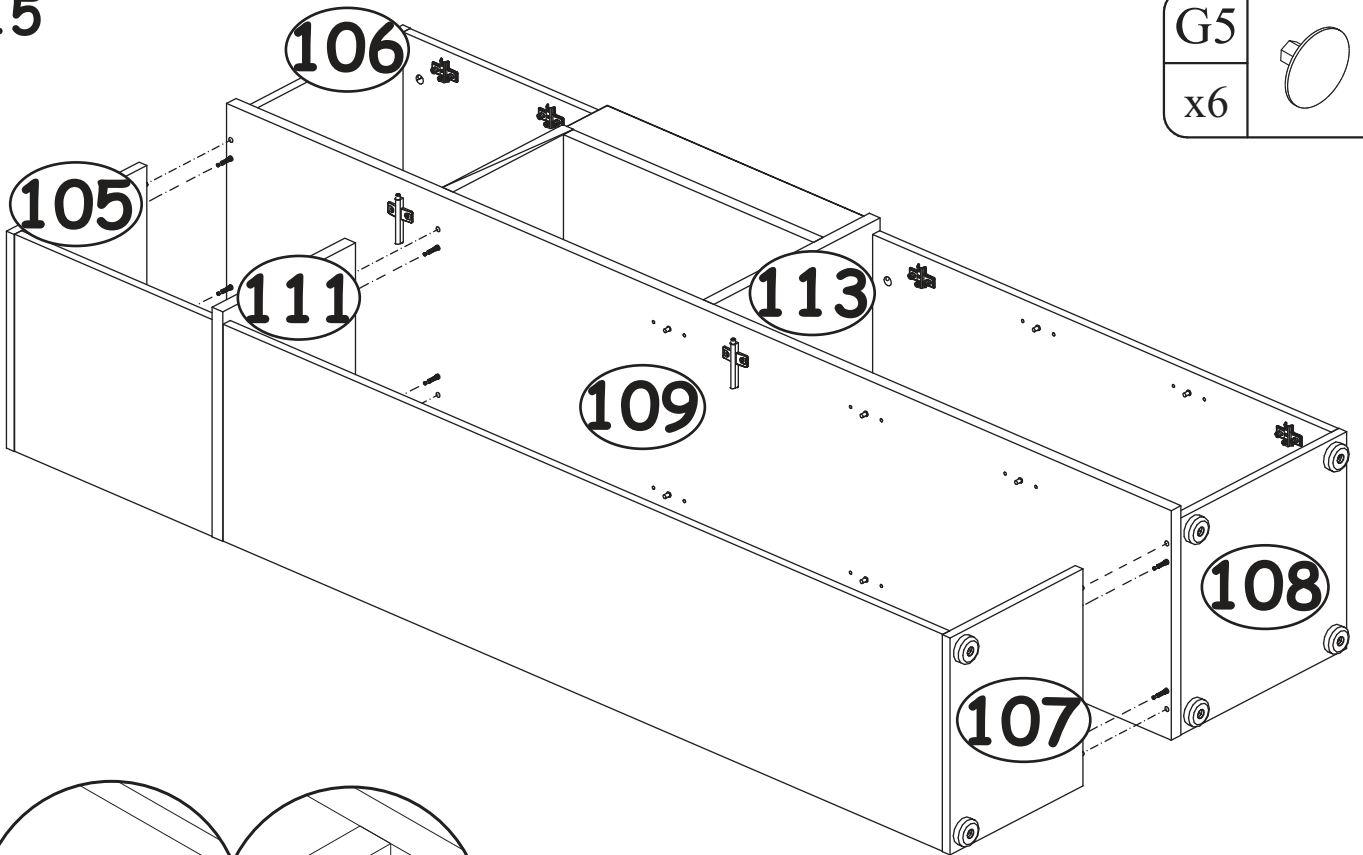
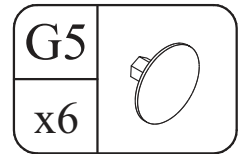
13



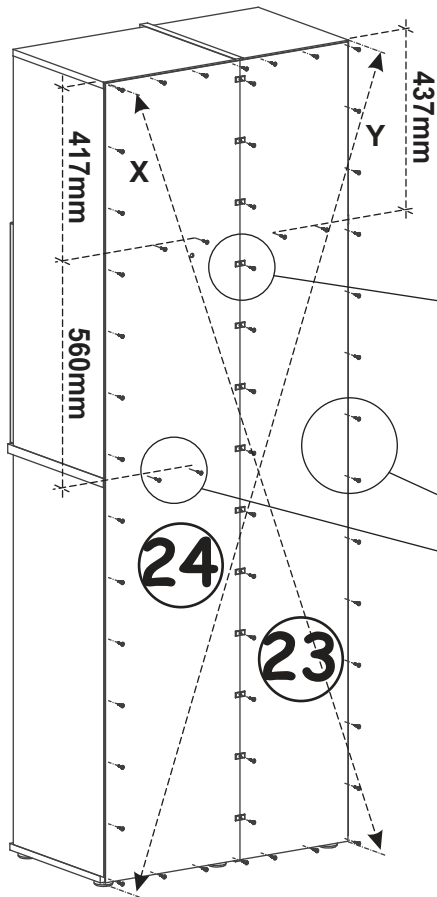
14



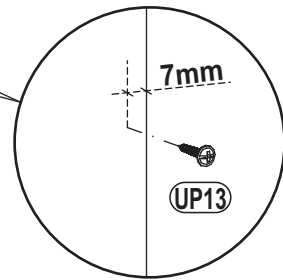
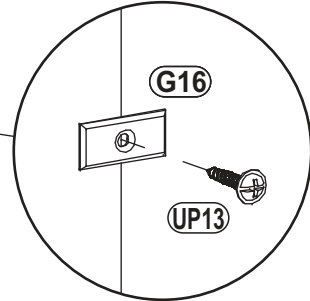
15



16

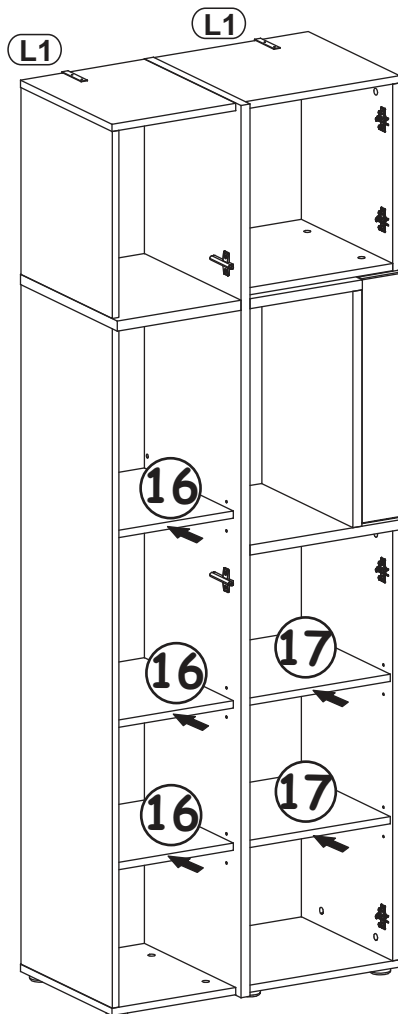


|      |         |     |  |
|------|---------|-----|--|
| UP13 |         | G16 |  |
| x54  | UPØ3x16 | x13 |  |



17

- 1
- 2
- 3
- 4



|    |  |     |  |
|----|--|-----|--|
| L1 |  | KR1 |  |
| x2 |  | x2  |  |

18

