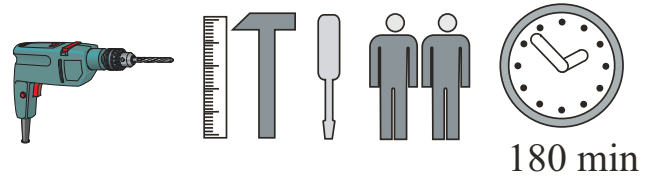
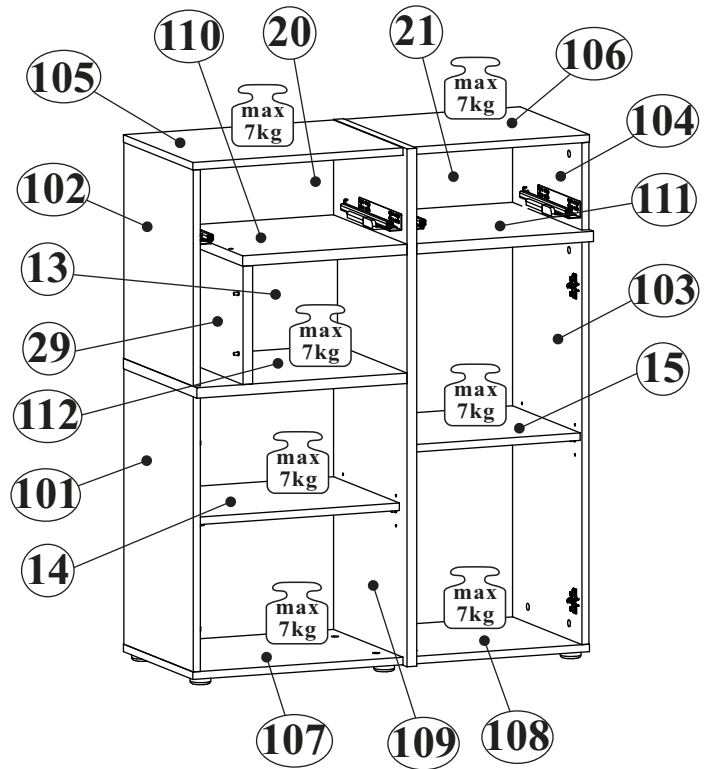
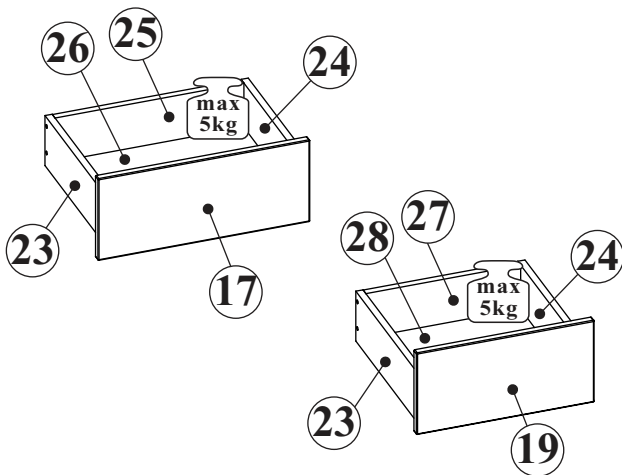
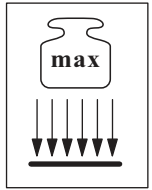
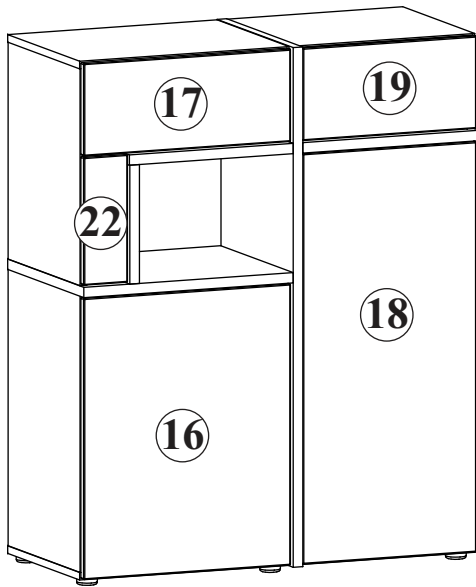


CROSS 28 ** CS WSN

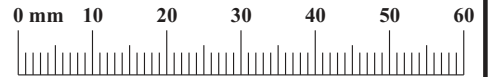


NO	Dim.		Col.-No	Qty	
101	586	377	16	2	1
102	460	377	16	2	1
103	860	377	16	2	1
104	186	377	16	2	1
105	478	377	16	2	1
106	402	377	16	2	1
107	478	377	16	2	1
108	402	377	16	2	1
109	1102	399	22	1	1
110	374	399	22	1	1
111	402	399	22	1	1
112	478	399	22	1	1
13	350	251	22	1	1
14	461	367	16	2	1
15	385	367	16	2	1

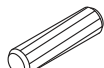
NO	Dim.		Col.-No	Qty	
16	596	472	16	1	1
17	196	472	16	1	1
18	870	396	16	1	1
19	196	396	16	1	1
20	1094	485	3	1	1
21	1094	410	3	1	1
22	271	100	16	1	1
23	350	120	16	2	2
24	350	120	16	2	2
25	421	106	16	2	1
26	354	433	3	2	1
27	345	106	16	2	1
28	354	357	3	2	1
29	252	399	22	1	1

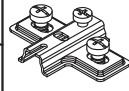
CROSS 28 ** CS WSN


A1 x42 ø8x36	B4 x34	B5 x28 ø15x12	B16 x6 ø15x16	G5 x34	T3/T5 x2
E21 x4 Ø35 H=0	E2 x4 H=0	D10 x22 USØ3,5x13	QU x2 L-350mm	D20 x8 ESØ6,3x9,5	G7 x10
I11 x6 Ø45, h=15	UP15 x6 UPØ4x25	S1 x2	G16 x10	UP13 x42 UPØ3x16	L1 x1
B11 x8 Ø7x50	B15 x8 Ø7x60	G4 x16	L6 x2	D31 x4 EKØ6,3x13	G2 x1
KR1 x1					

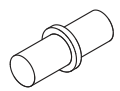


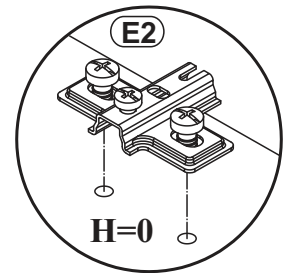
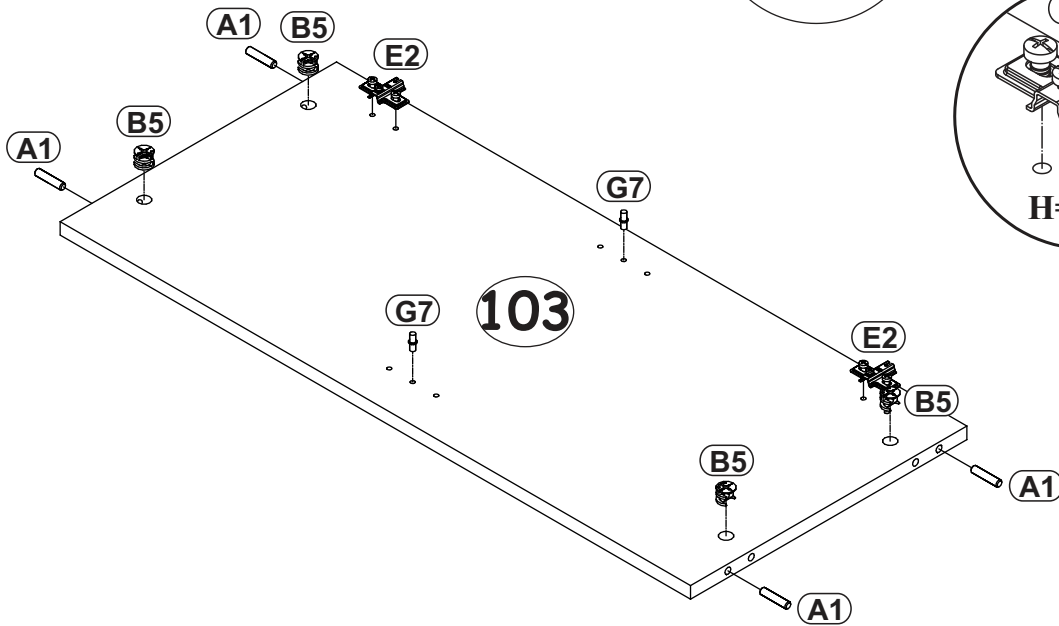
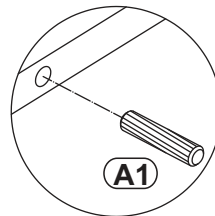
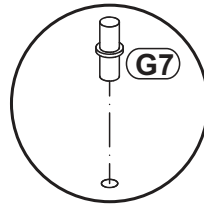
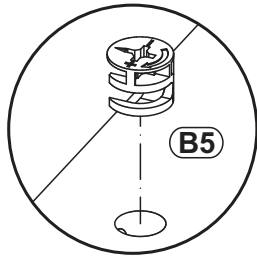
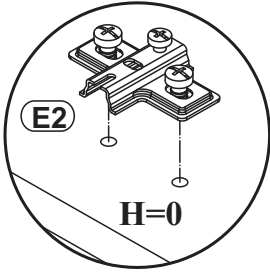
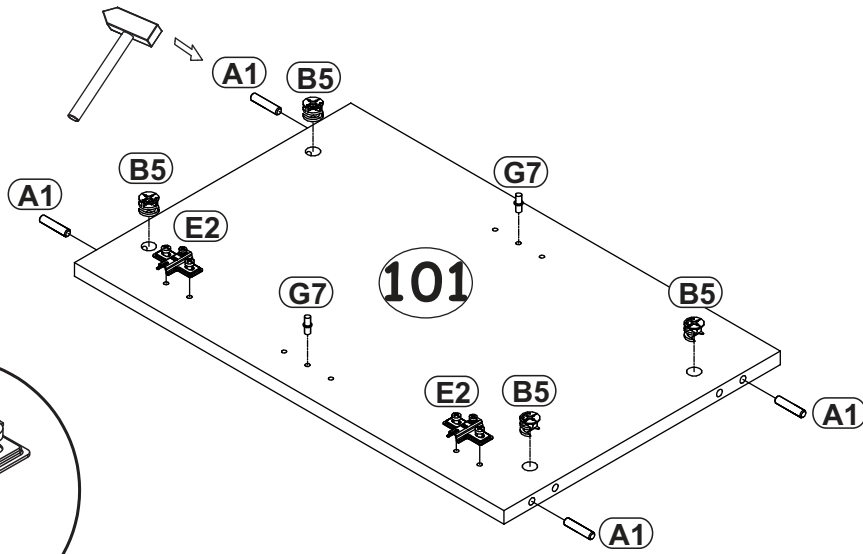
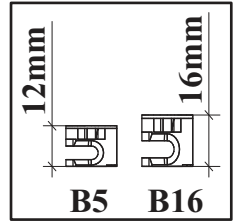
1

A1	
x8	ø8x36

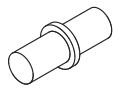
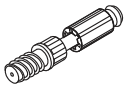
E2	
x4	H=0

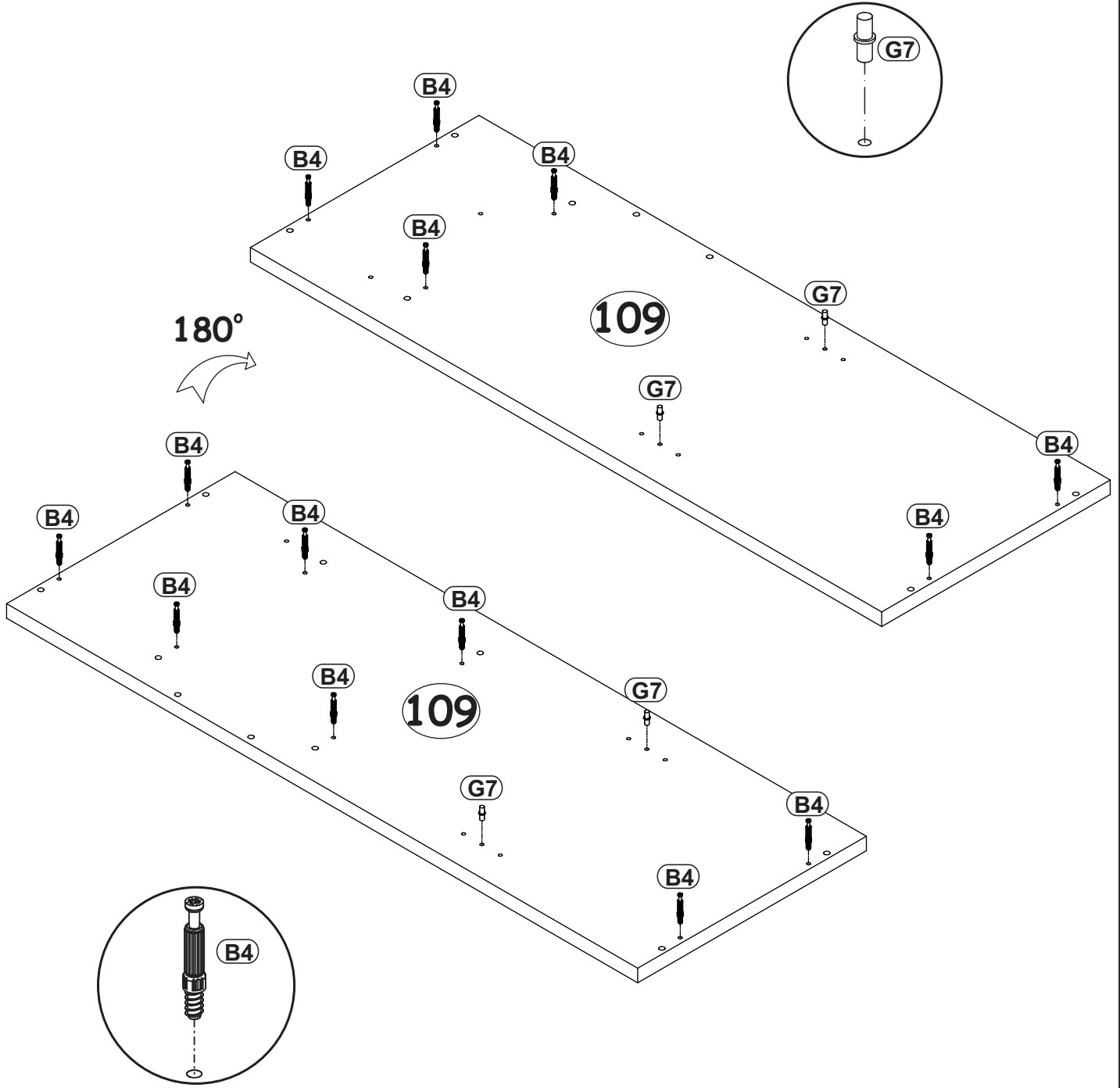
B5	
x8	ø15x12

G7	
x4	

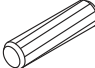



2

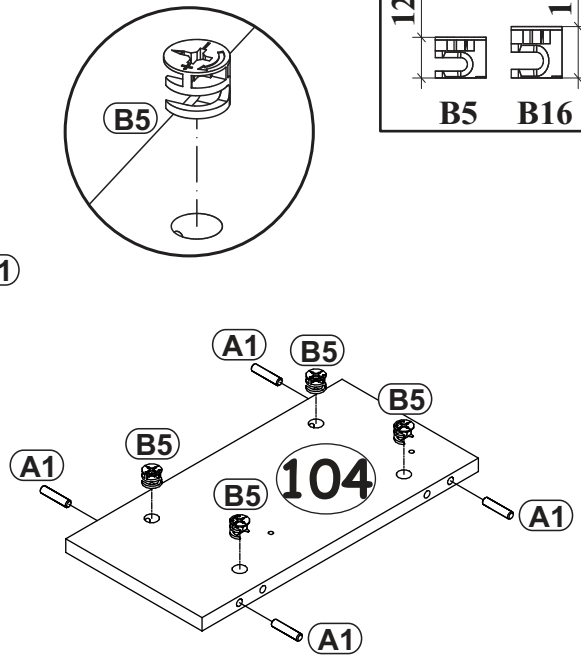
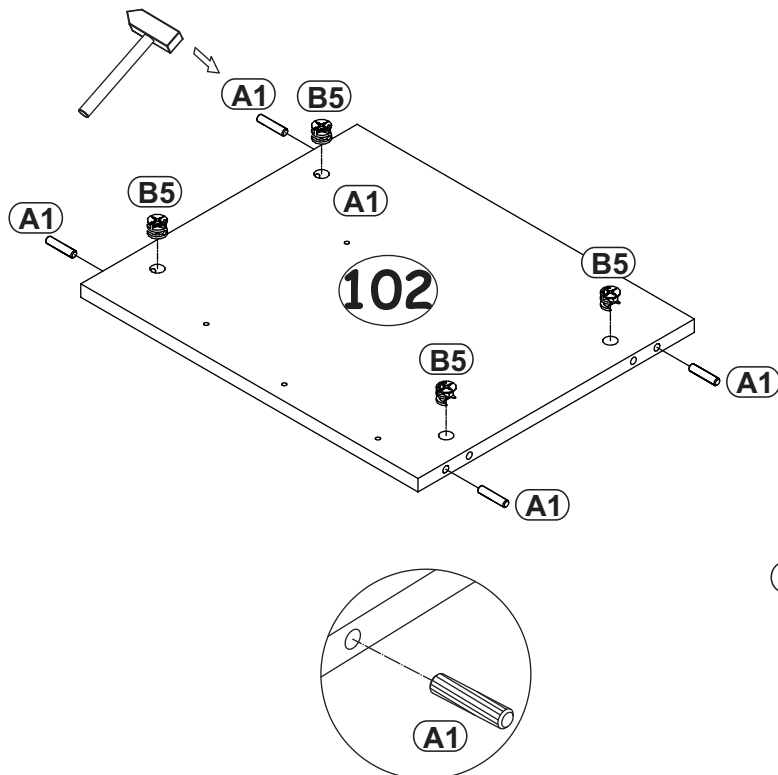
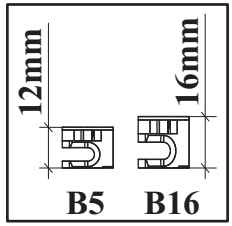
G7		B4	
x4		x14	



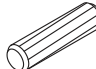
3

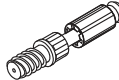
A1	
x8	ø8x36


B5	
x8	ø15x12

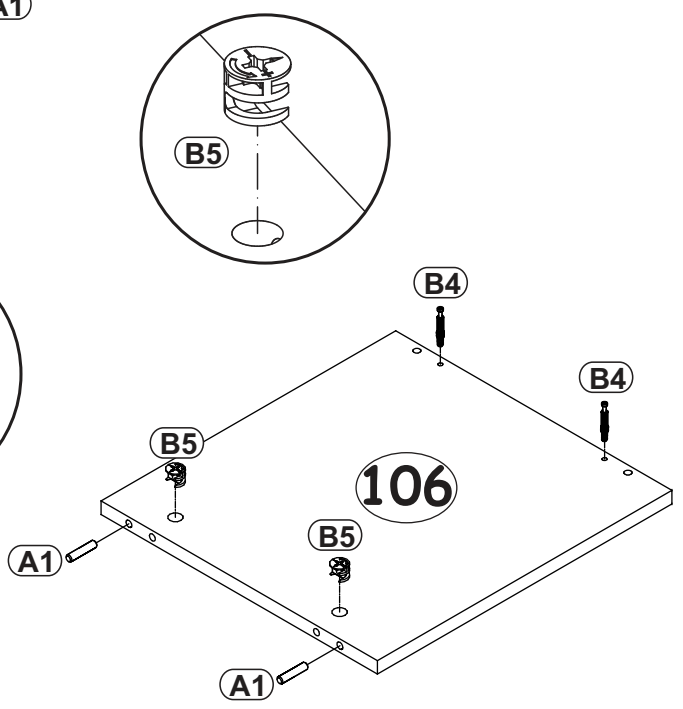
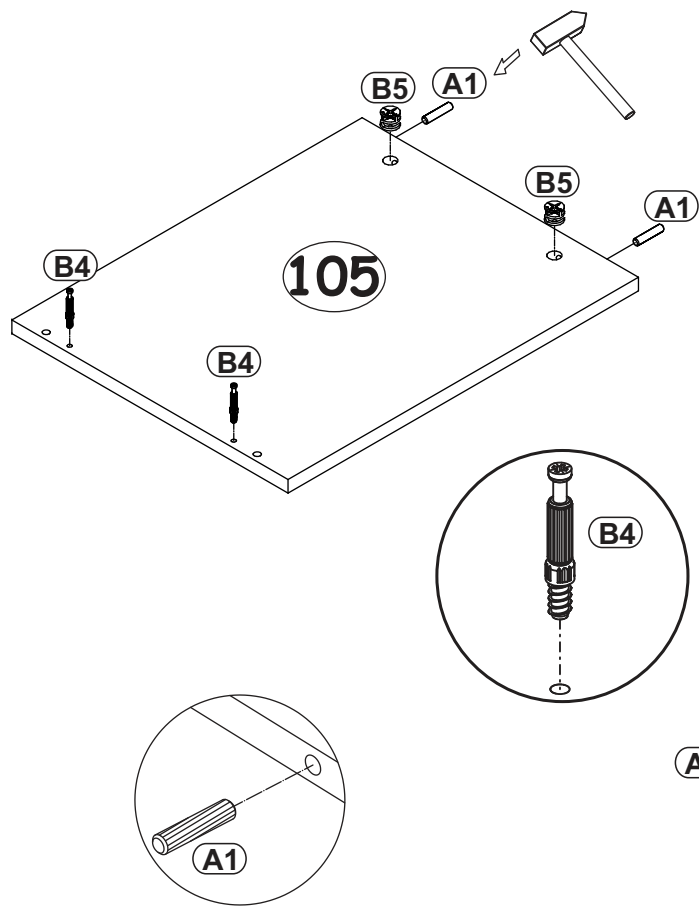


4

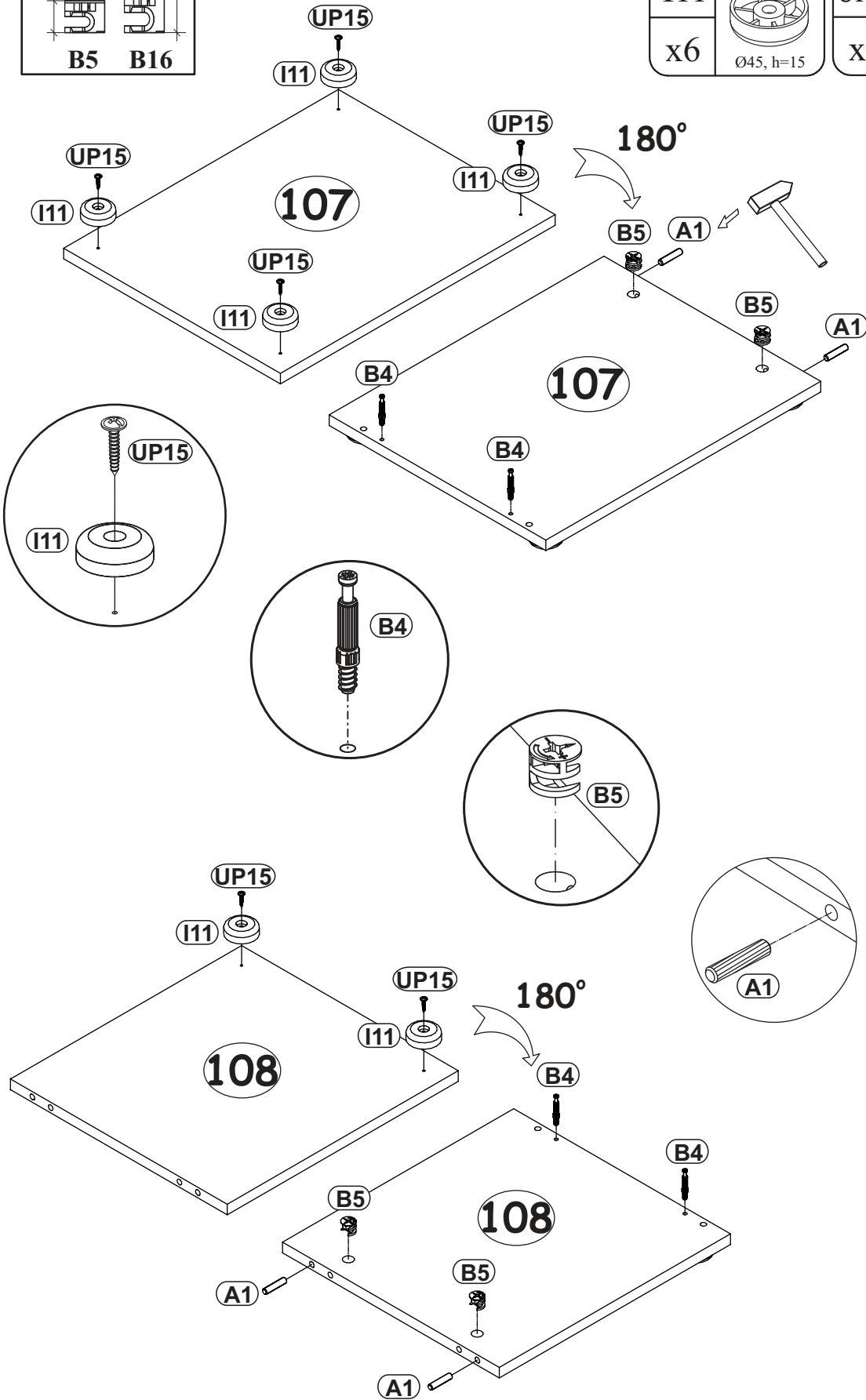
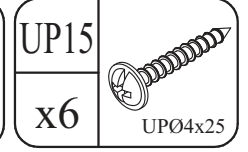
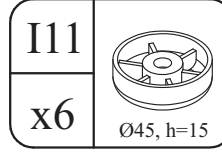
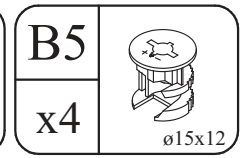
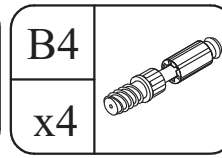
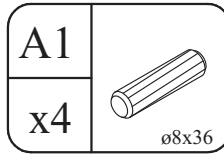
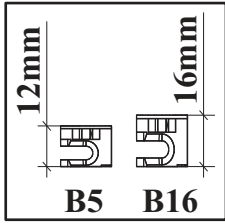
A1	
x4	ø8x36

B4	
x4	

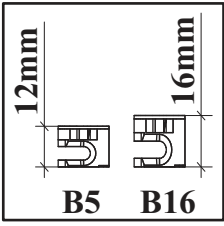
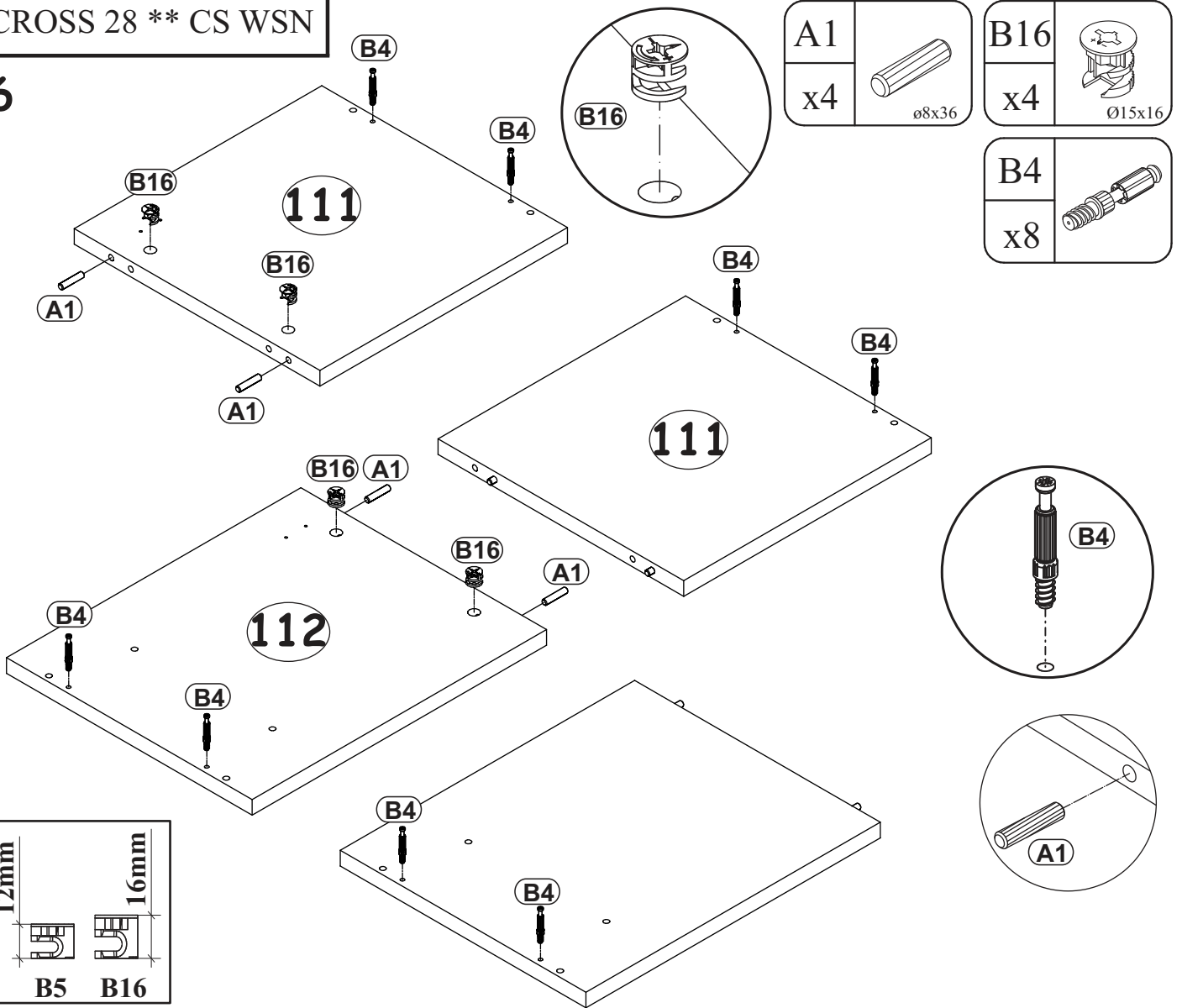
B5	
x4	ø15x12



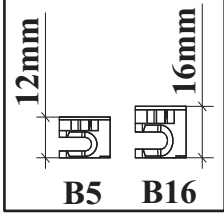
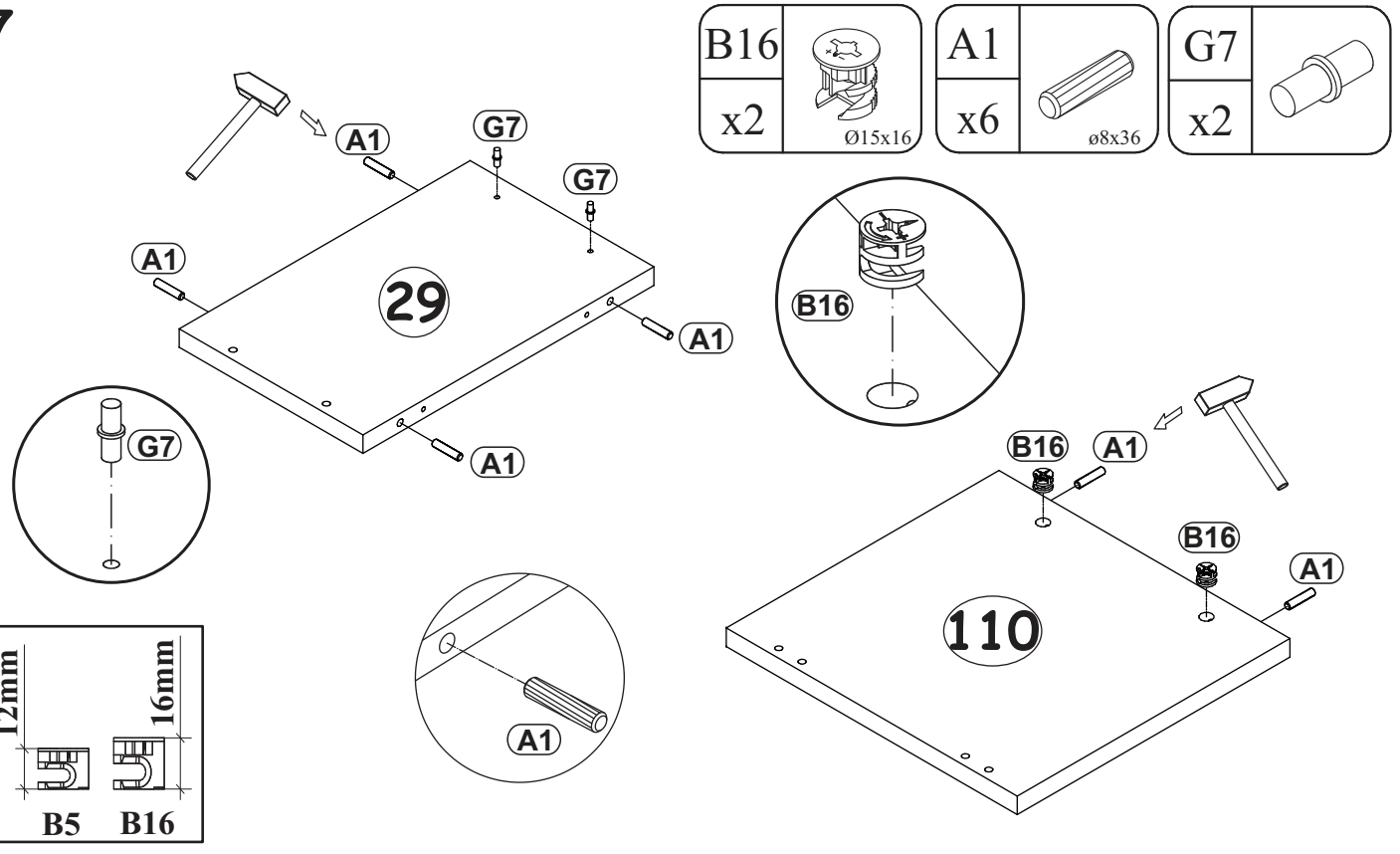
5



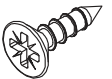
6

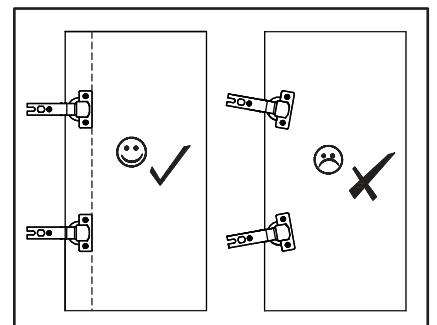
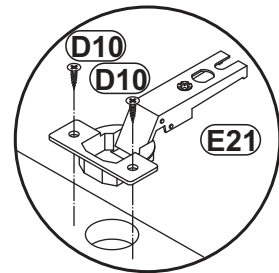
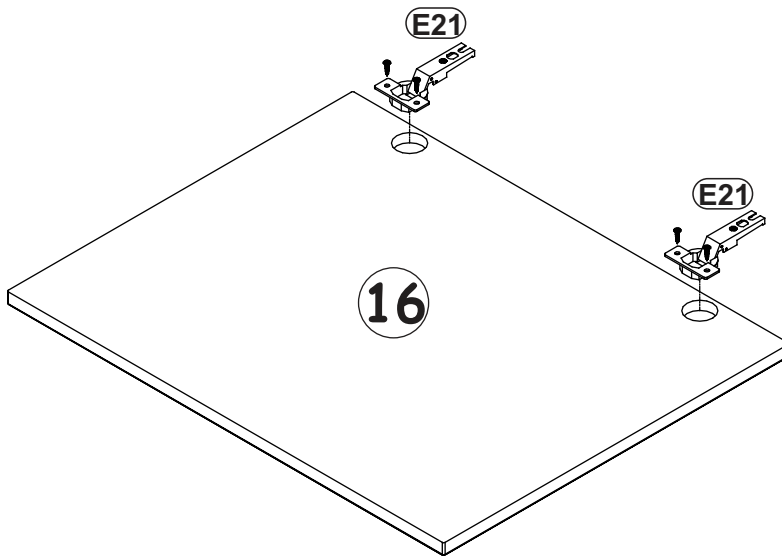
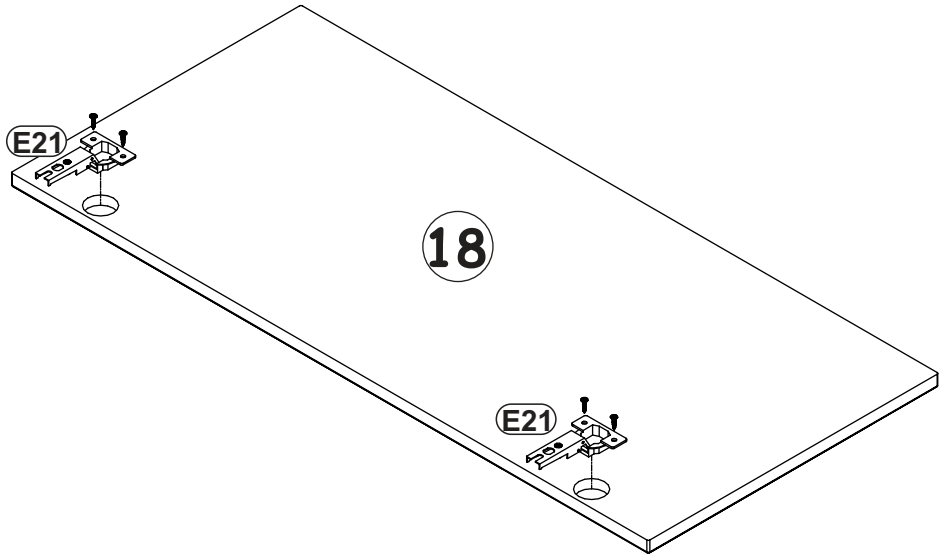
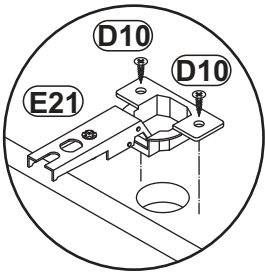
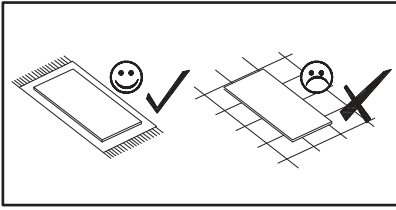


7

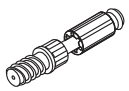


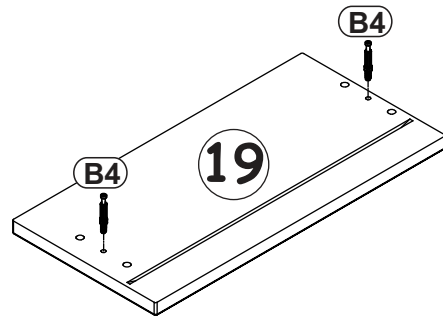
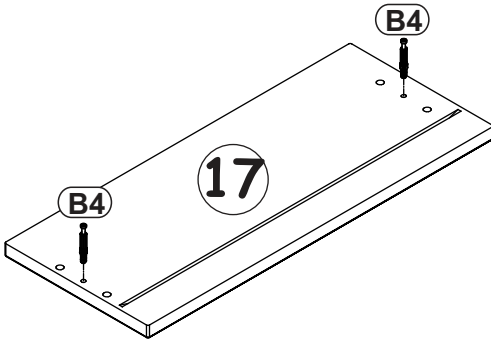
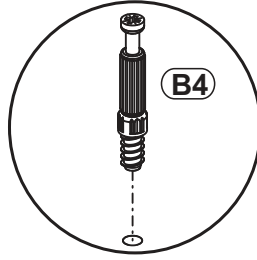
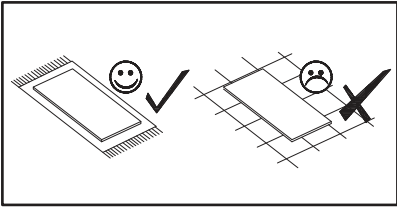
8

E21	Ø35	D10	 USØ3,5x13
x4	H=0	x8	

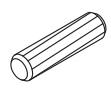


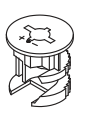
9

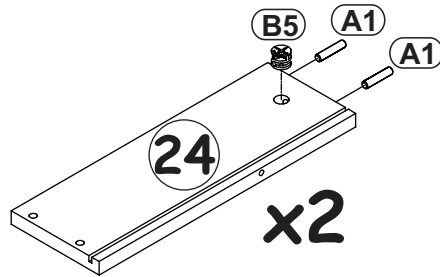
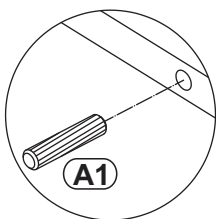
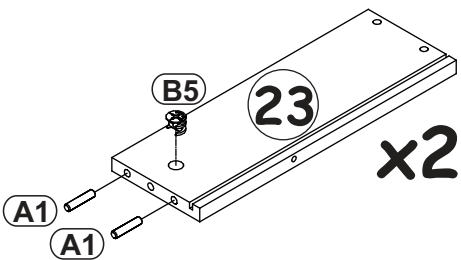
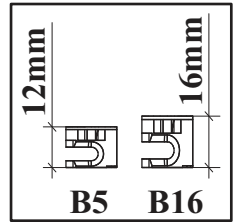
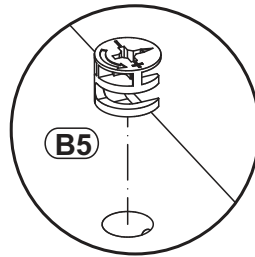
B4	
x4	



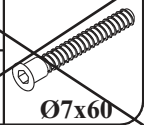


10

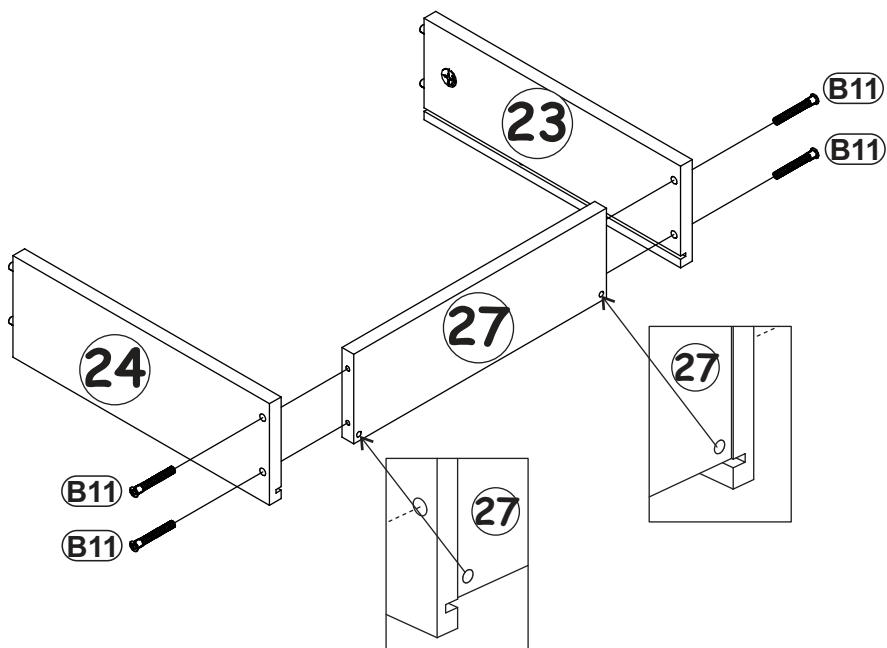
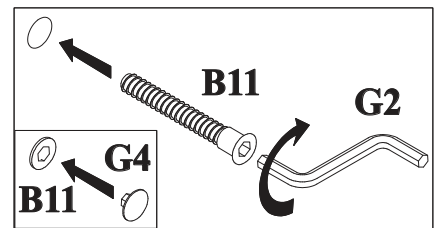
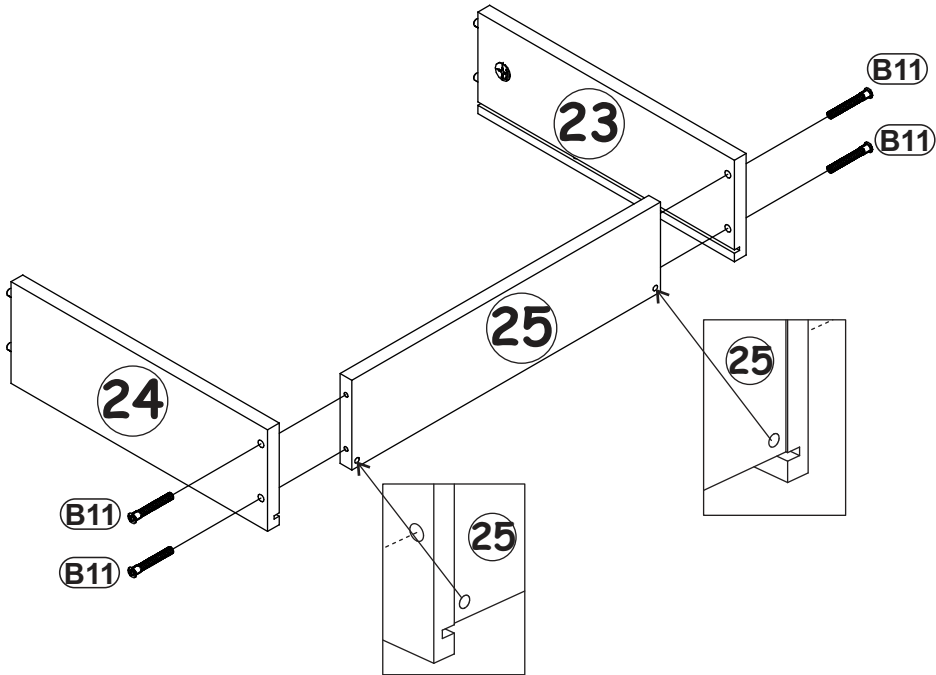
A1	
x8	ø8x36


B5	
x4	ø15x12



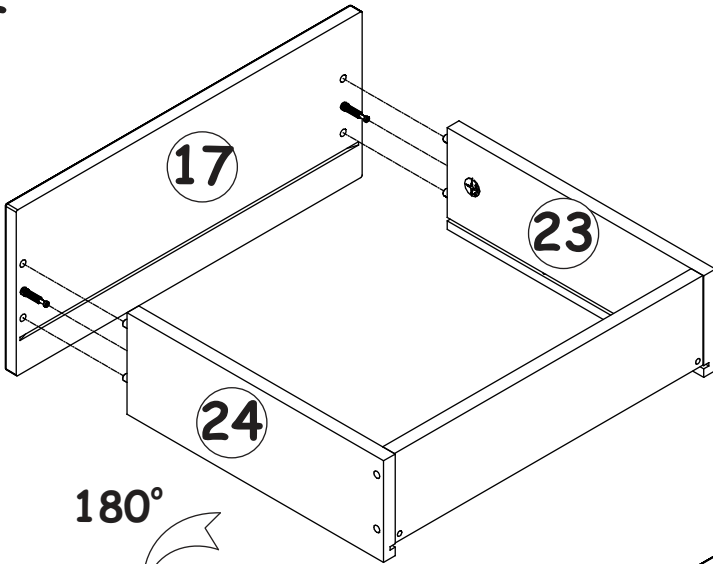
11

B15		B11		G4	
	Ø7x60	x8	Ø7x50	x8	

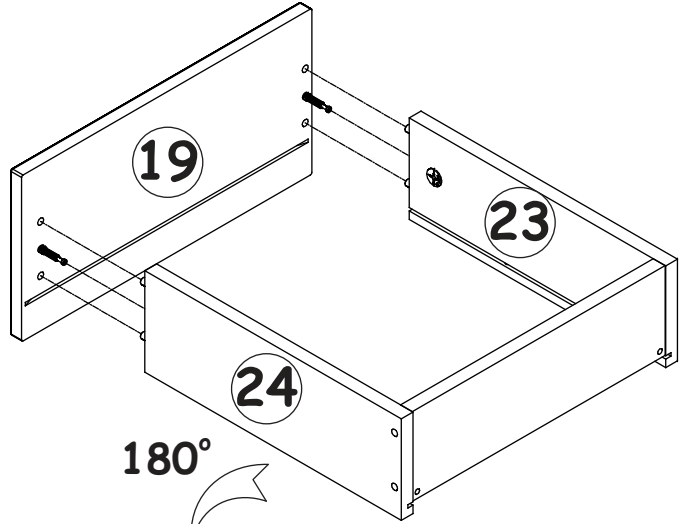


G5	
x4	

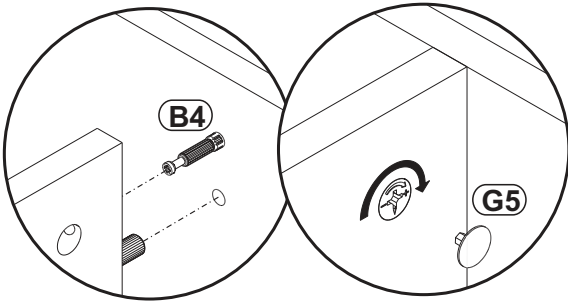
12



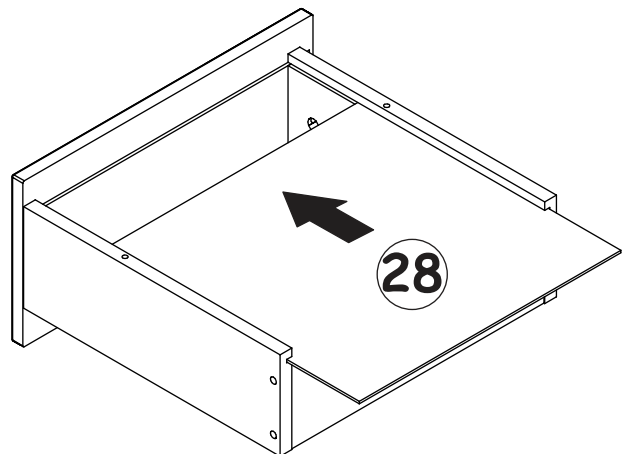
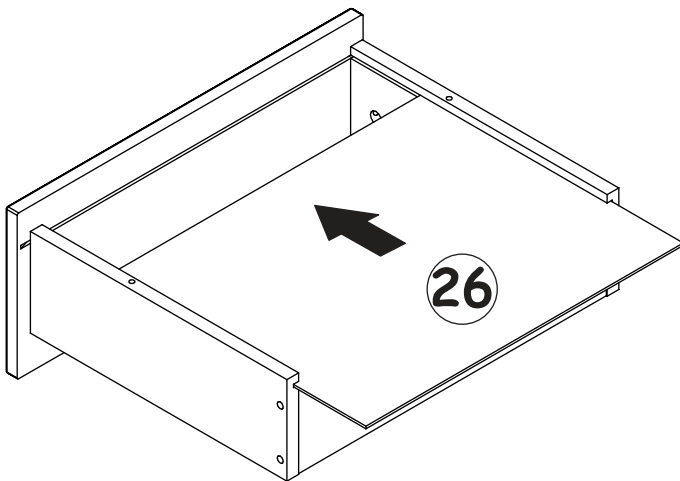
180°



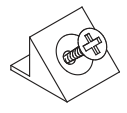

180°

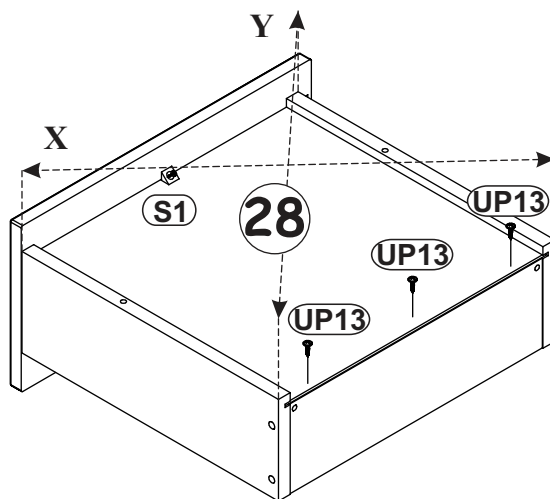
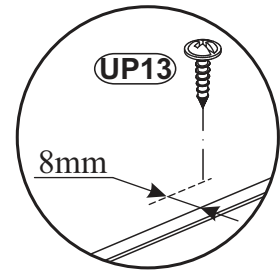
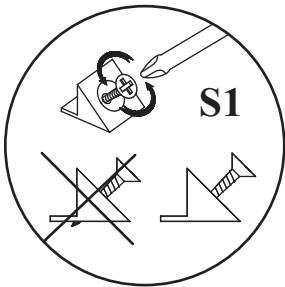
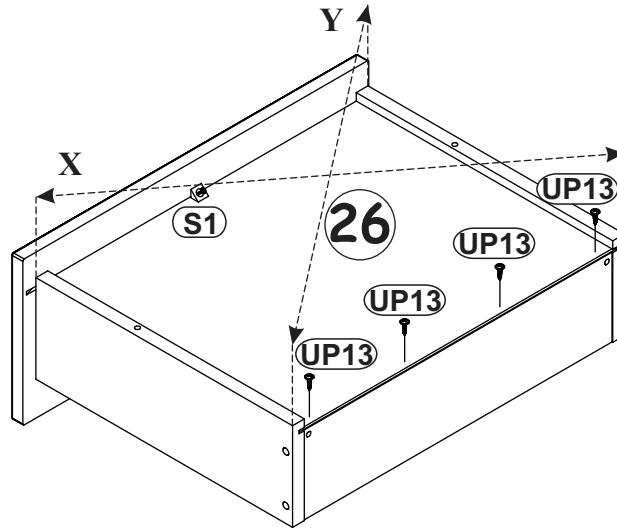


13

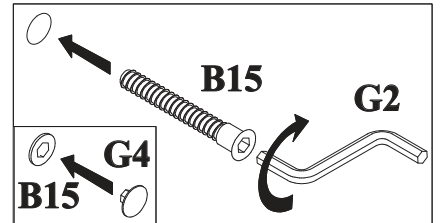
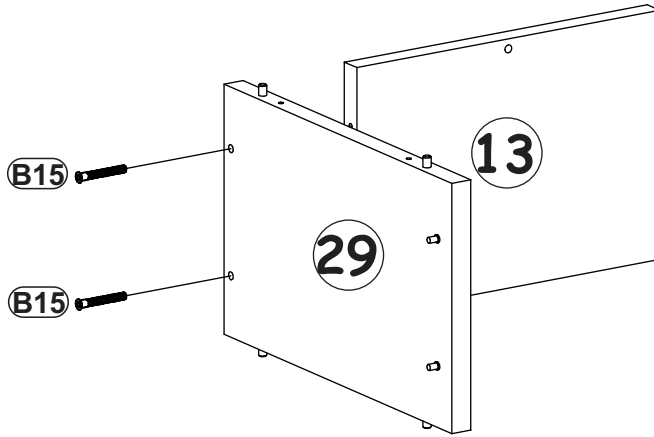
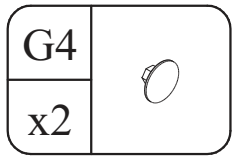
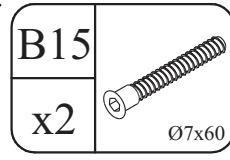
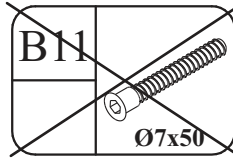


14

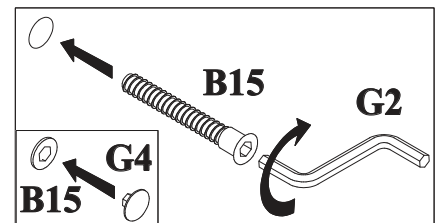
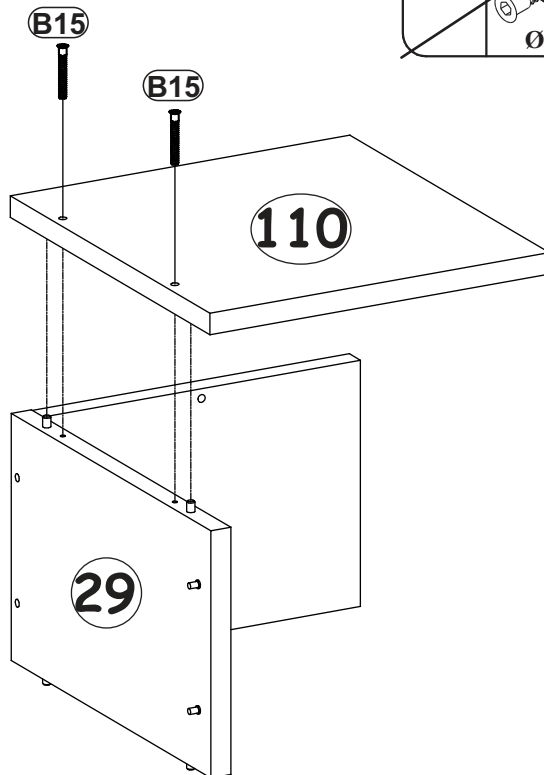
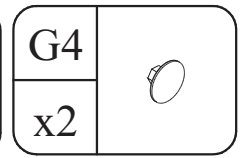
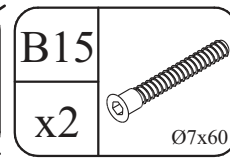
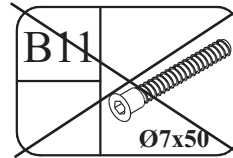
S1		UP13	
x2		x7	UPØ3x16



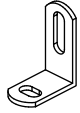
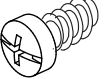
15

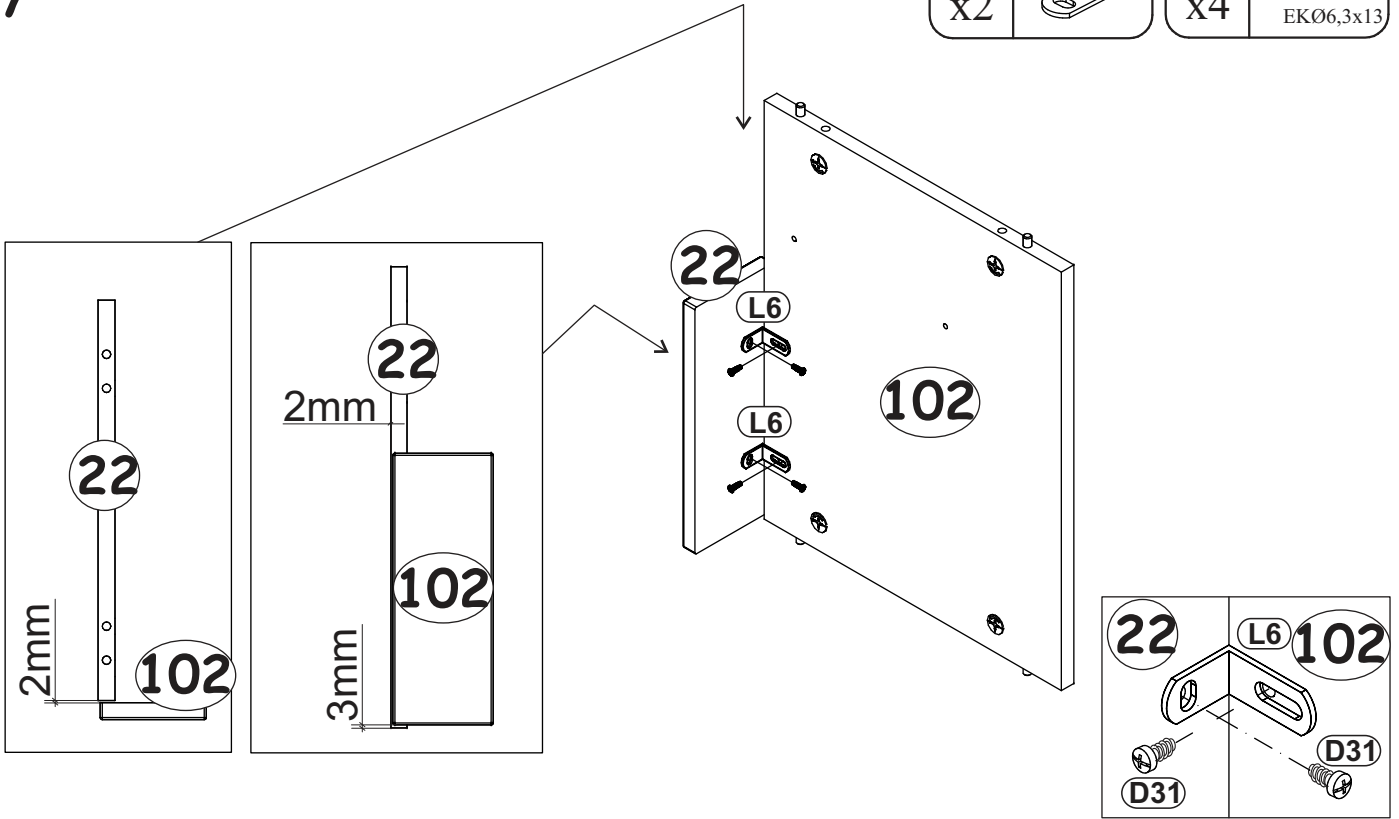


16




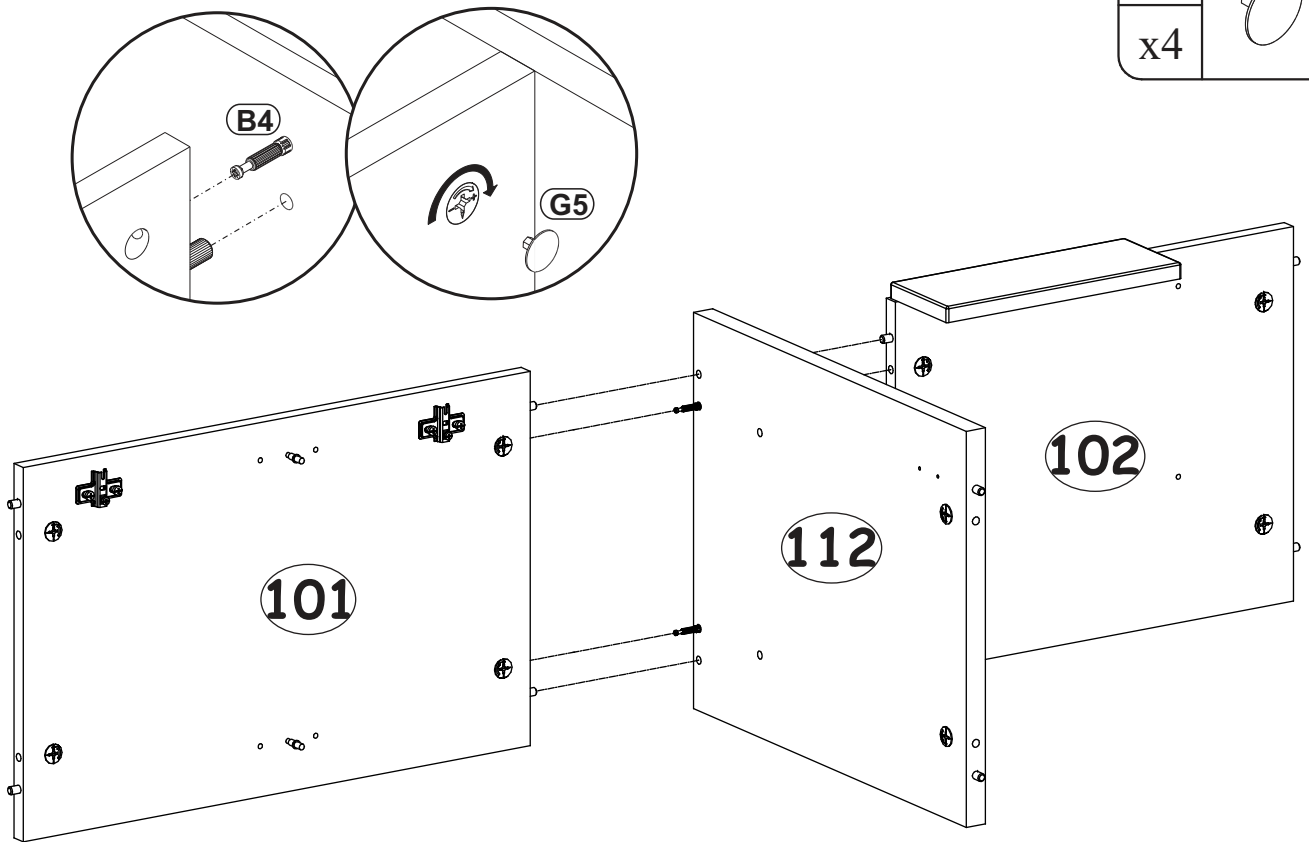
17

L6		D31	
x2		x4	EKØ6,3x13

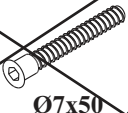




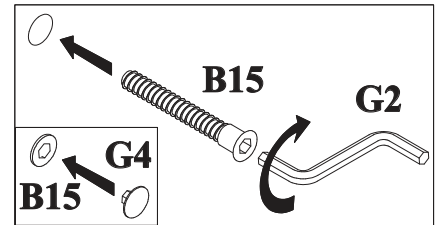
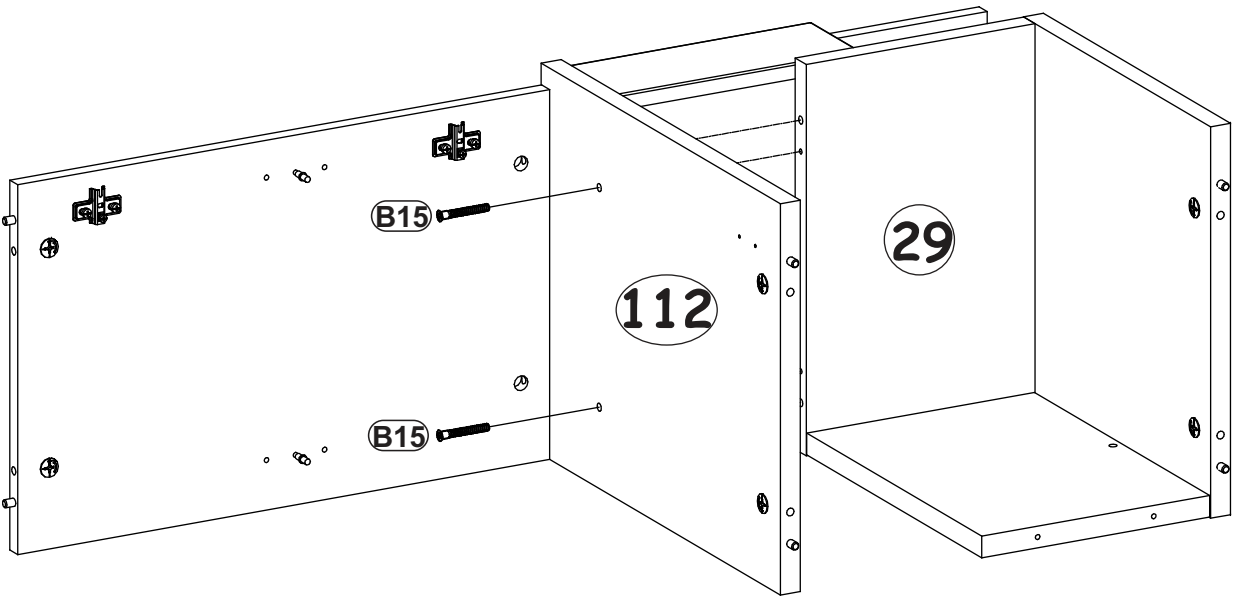
18

G5	
x4	




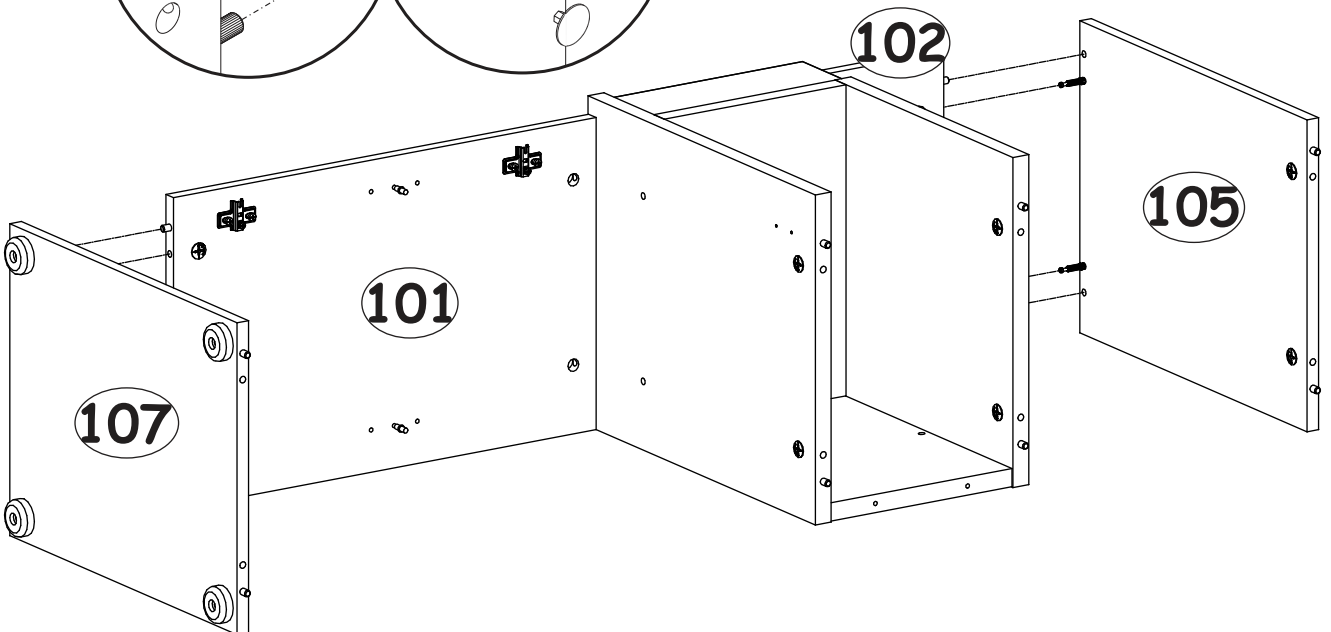
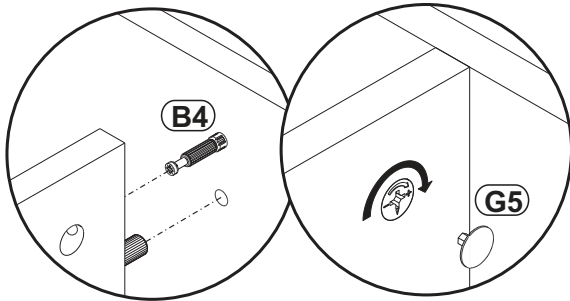
19

B11		B15		G4	
	Ø7x50	x2	Ø7x60	x2	




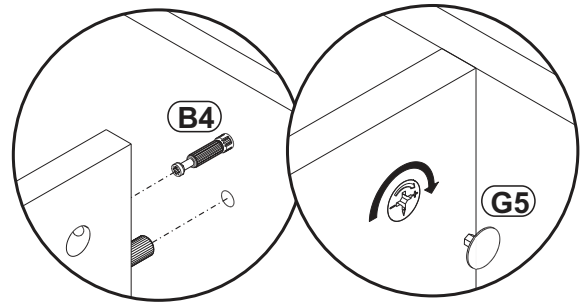
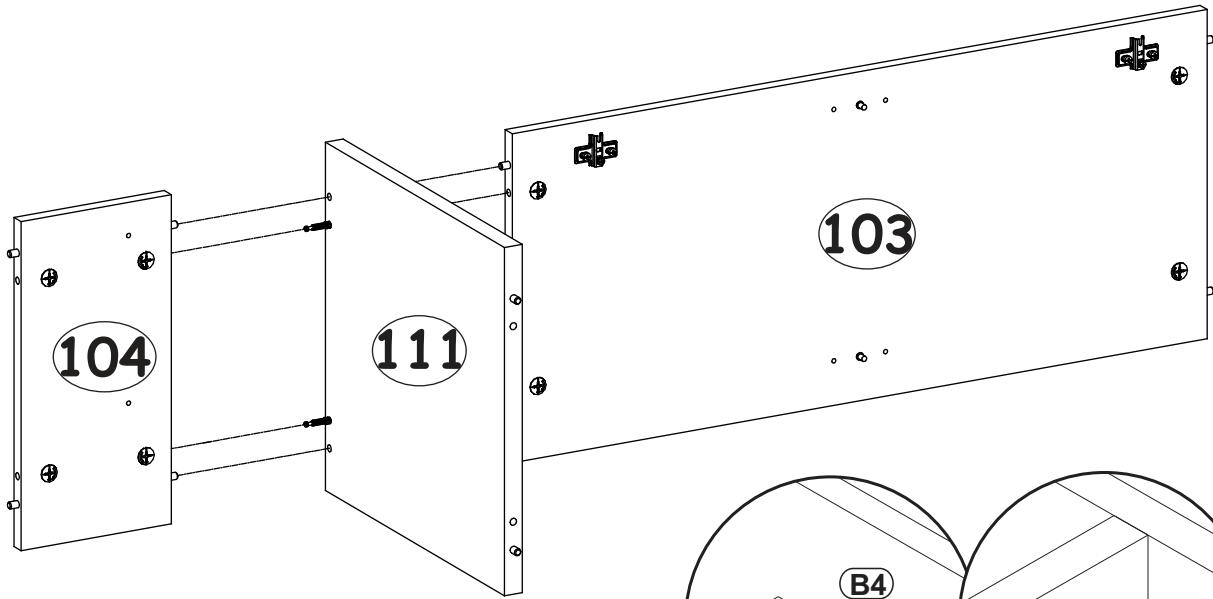
20

G5	
x4	




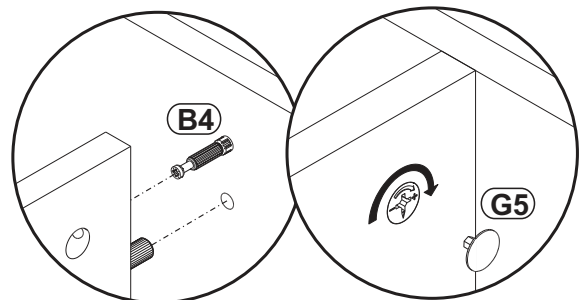
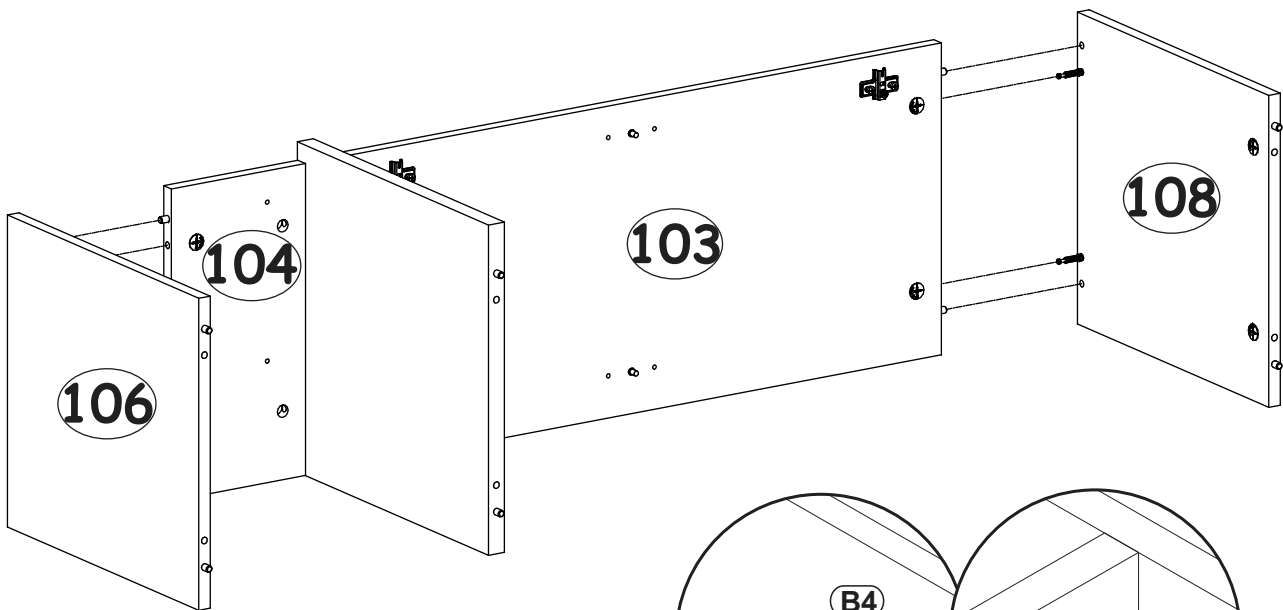
21

G5	
x4	

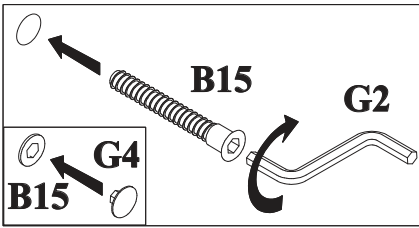
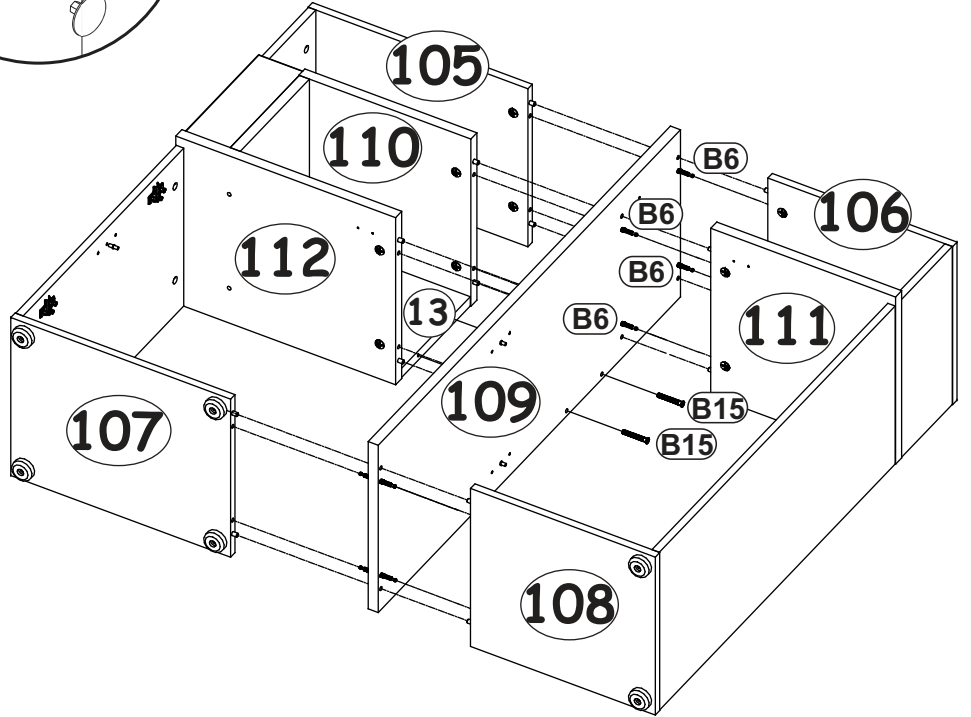
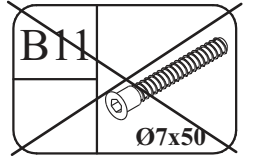
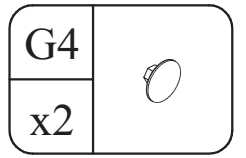
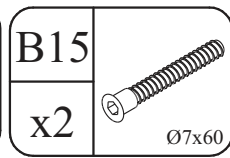
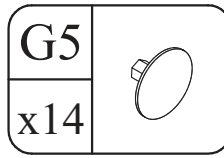
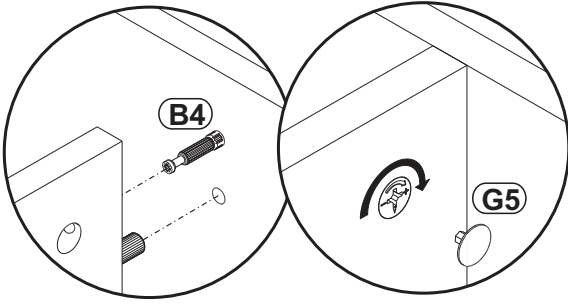


22

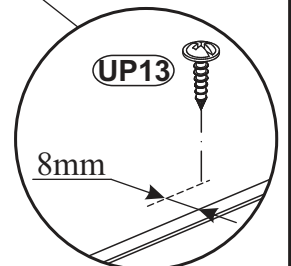
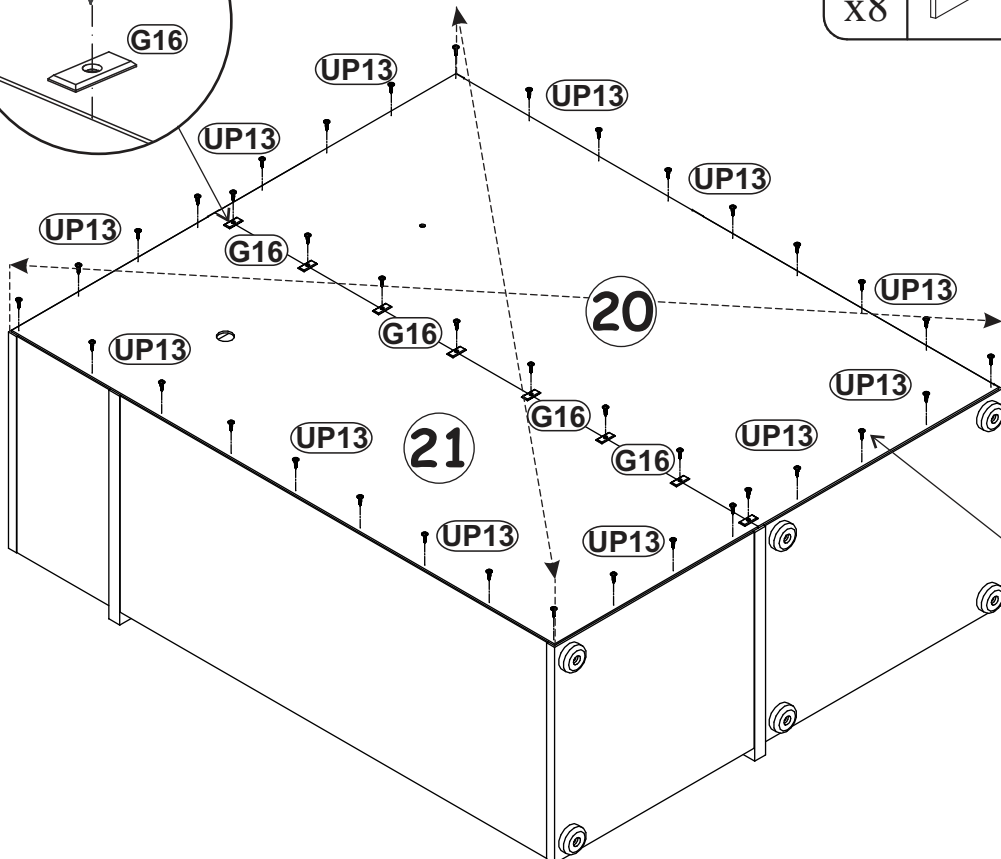
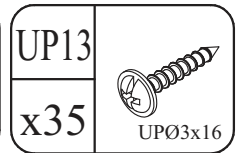
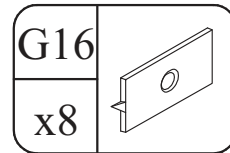
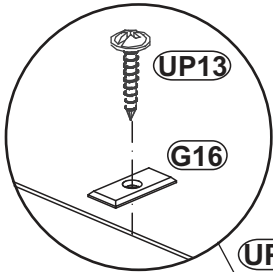
G5	
x4	



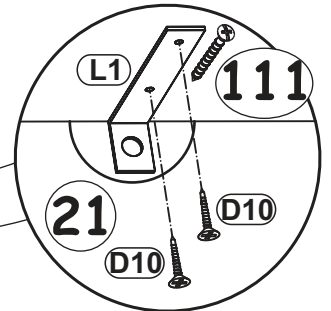
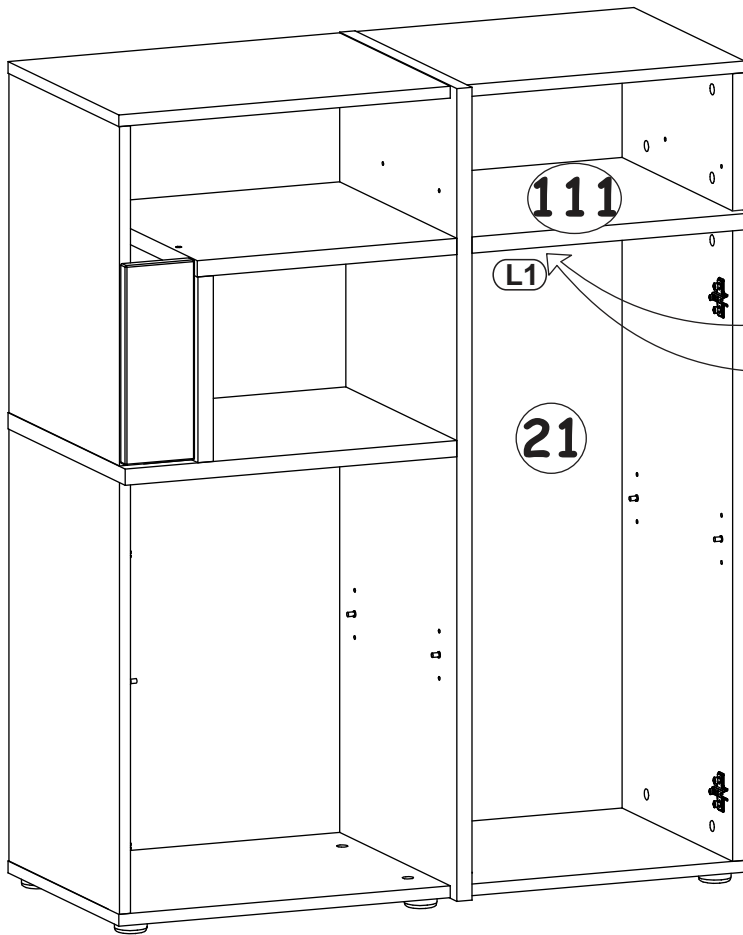
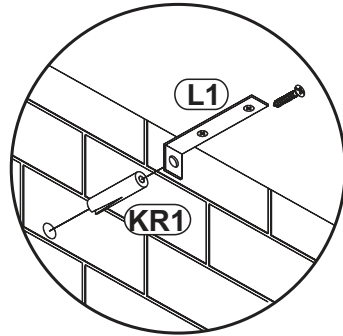
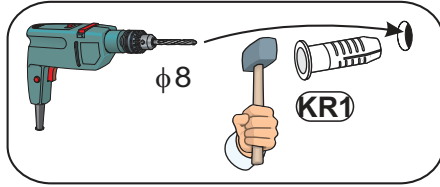
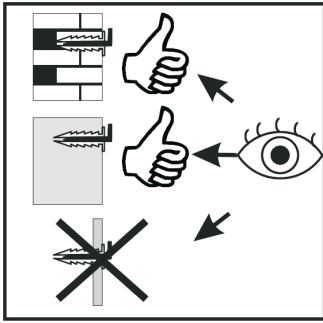
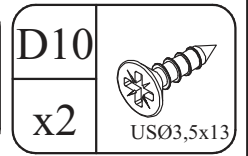
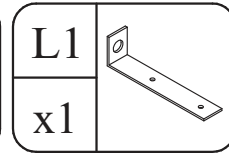
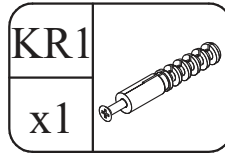
23

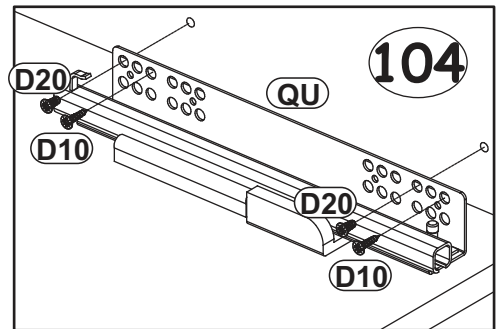
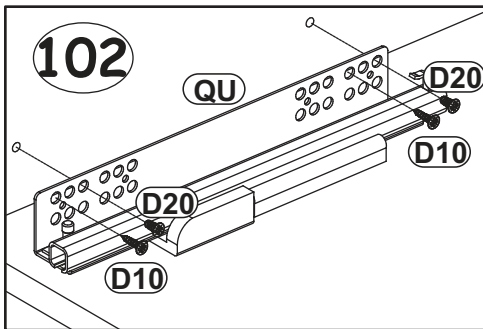
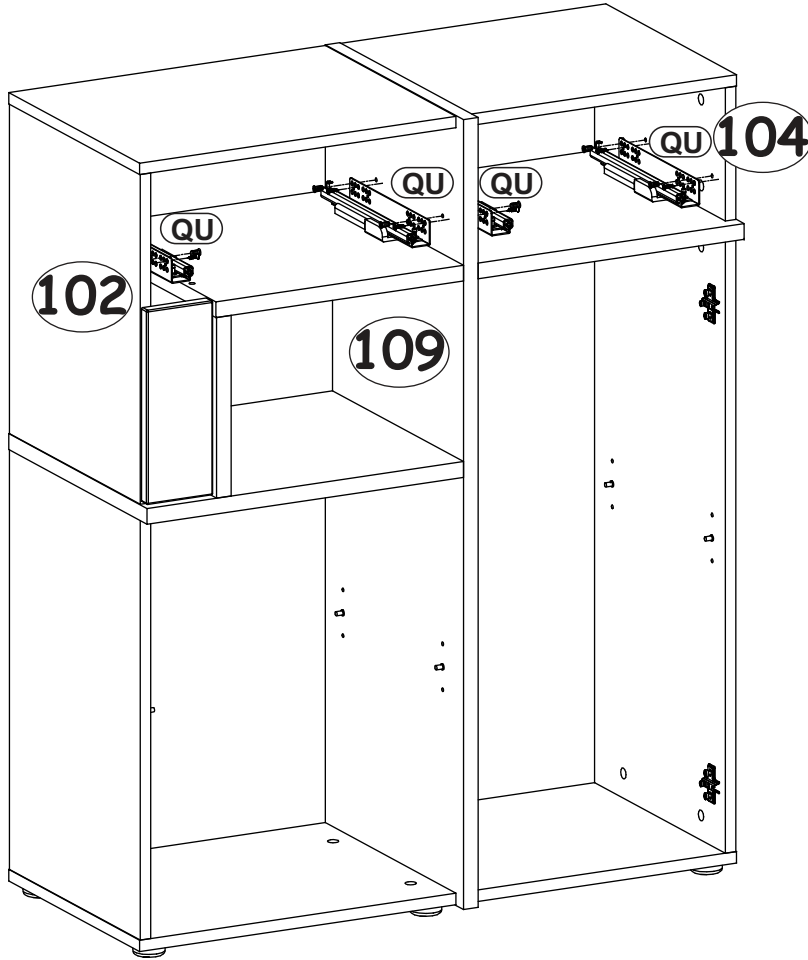
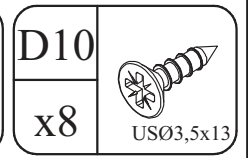
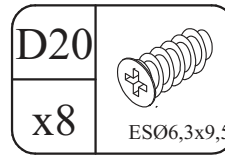
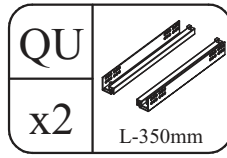


24

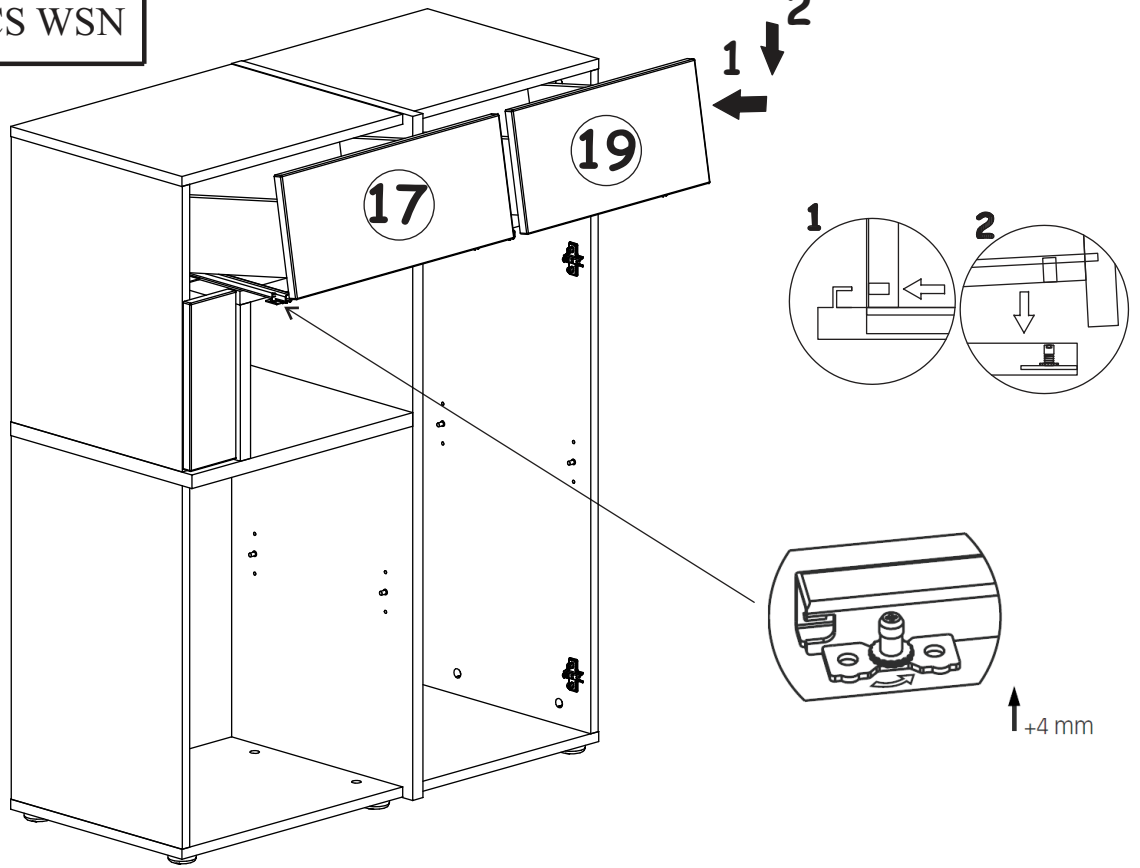


25





27



28

