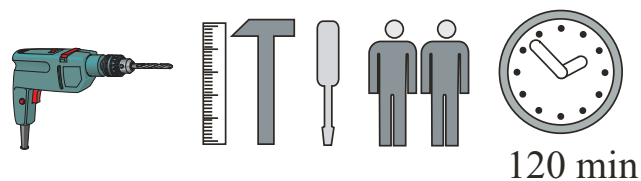
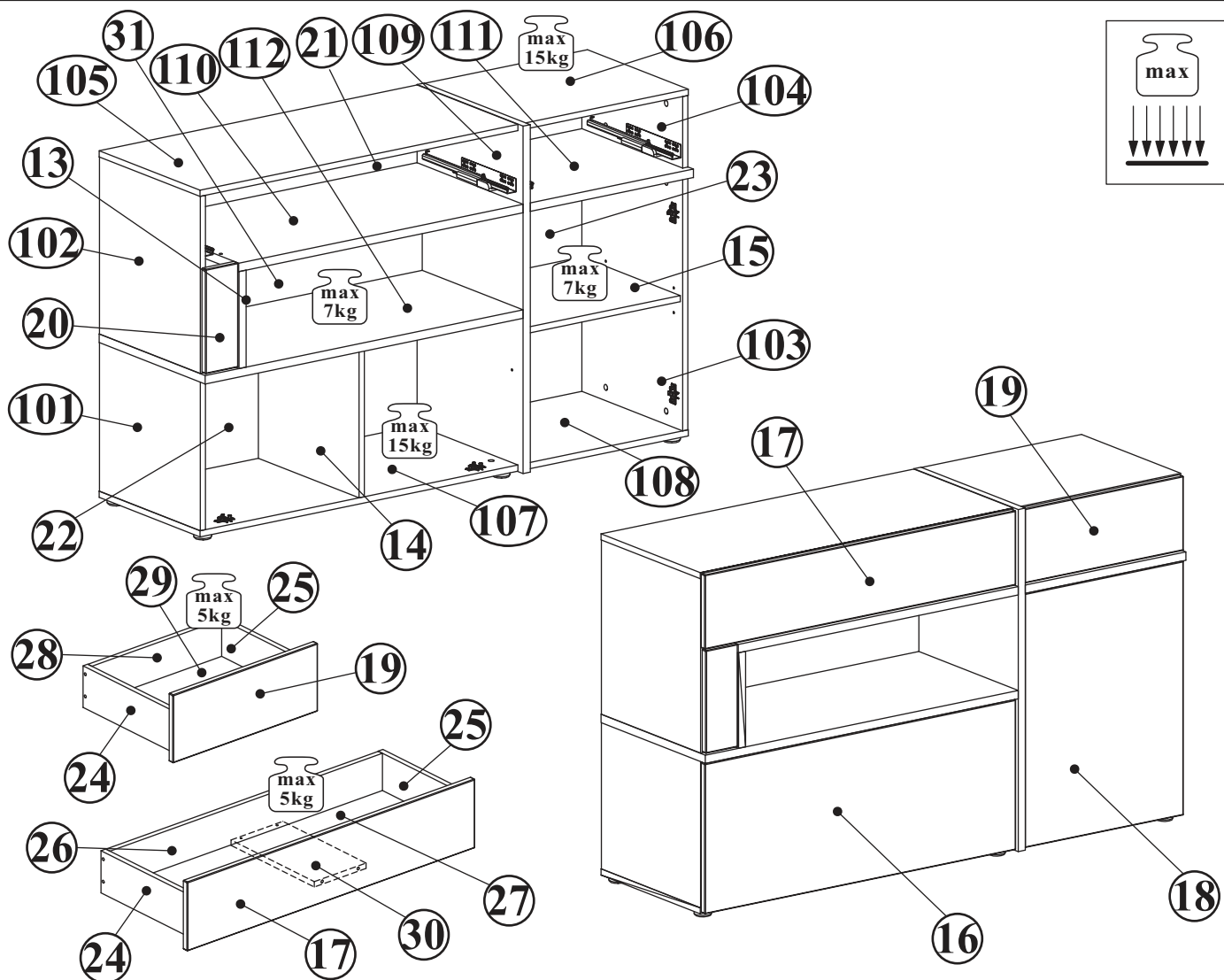


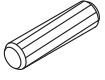
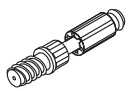




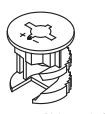
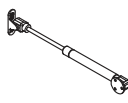
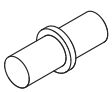
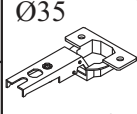
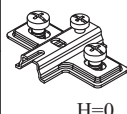
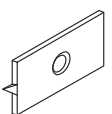
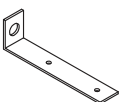
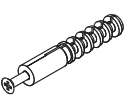
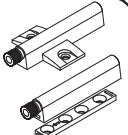
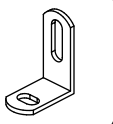







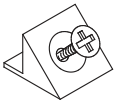



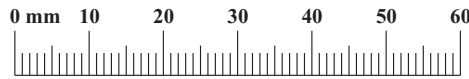
CROSS 28 ** CS SB

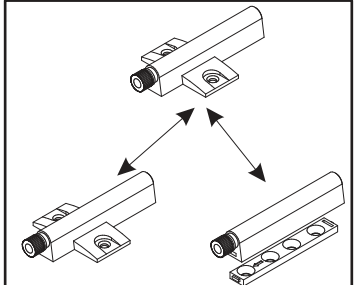
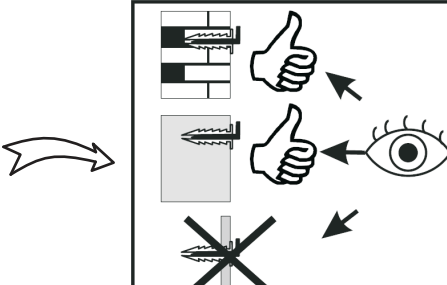
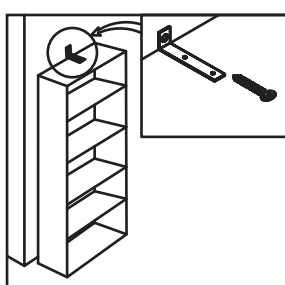
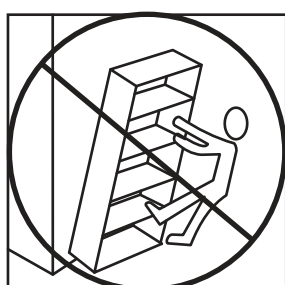
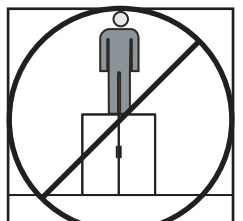
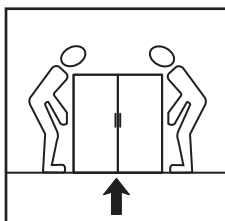
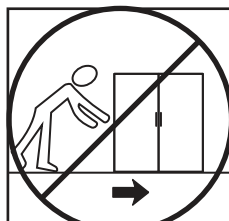
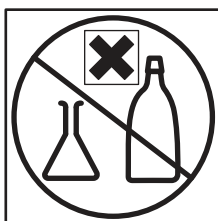
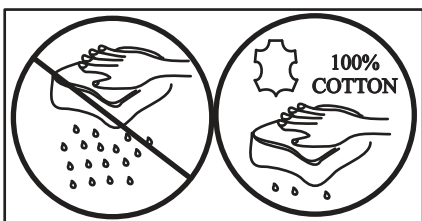
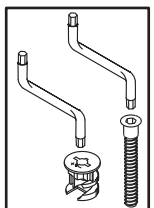
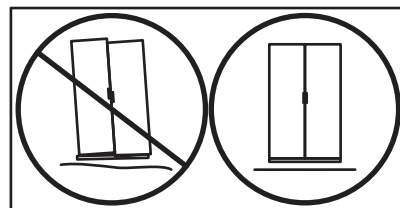
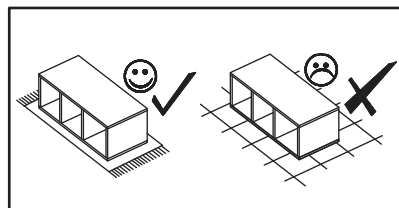
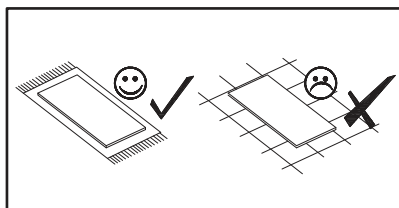
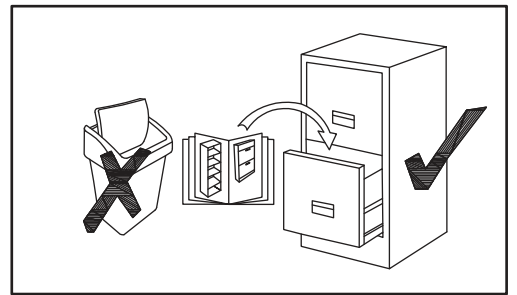
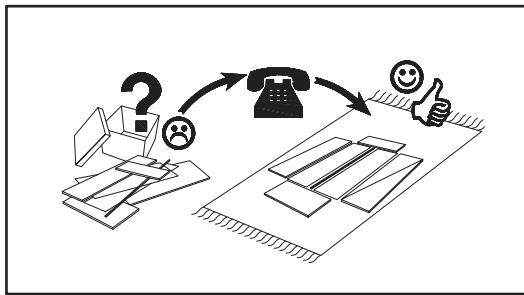
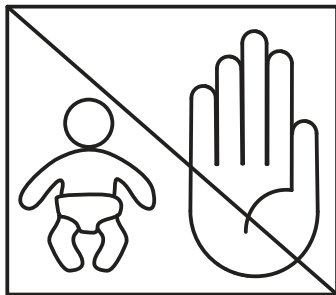


| NO | Dim. | | | Qty | Qty |
|-----|------|-----|----|-----|-----|
| 101 | 386 | 427 | 16 | 1 | 1 |
| 102 | 460 | 427 | 16 | 1 | 1 |
| 103 | 660 | 427 | 16 | 1 | 1 |
| 104 | 186 | 427 | 16 | 1 | 1 |
| 105 | 978 | 427 | 16 | 1 | 1 |
| 106 | 502 | 427 | 16 | 1 | 1 |
| 107 | 978 | 427 | 16 | 1 | 1 |
| 108 | 502 | 427 | 16 | 1 | 1 |
| 14 | 386 | 427 | 16 | 1 | 1 |
| 15 | 485 | 417 | 16 | 1 | 1 |
| 24 | 350 | 120 | 16 | 3 | 2 |
| 25 | 350 | 120 | 16 | 3 | 2 |
| 26 | 921 | 106 | 16 | 3 | 1 |
| 28 | 445 | 106 | 16 | 3 | 1 |
| 30 | 349 | 184 | 16 | 3 | 1 |

| NO | Dim. | | | Qty | Qty |
|-----|------|-----|----|-----|-----|
| 109 | 902 | 449 | 22 | 2 | 1 |
| 110 | 875 | 449 | 22 | 2 | 1 |
| 111 | 502 | 449 | 22 | 2 | 1 |
| 112 | 978 | 449 | 22 | 2 | 1 |
| 13 | 252 | 449 | 22 | 2 | 1 |
| 31 | 851 | 251 | 22 | 2 | 1 |
| 16 | 972 | 396 | 16 | 3 | 1 |
| 17 | 972 | 196 | 16 | 3 | 1 |
| 18 | 670 | 496 | 16 | 3 | 1 |
| 19 | 496 | 196 | 16 | 3 | 1 |
| 20 | 271 | 100 | 16 | 3 | 1 |
| 21 | 484 | 985 | 3 | 3 | 1 |
| 22 | 985 | 410 | 3 | 3 | 1 |
| 23 | 894 | 510 | 3 | 3 | 1 |
| 27 | 354 | 933 | 3 | 3 | 1 |
| 29 | 354 | 457 | 3 | 3 | 1 |

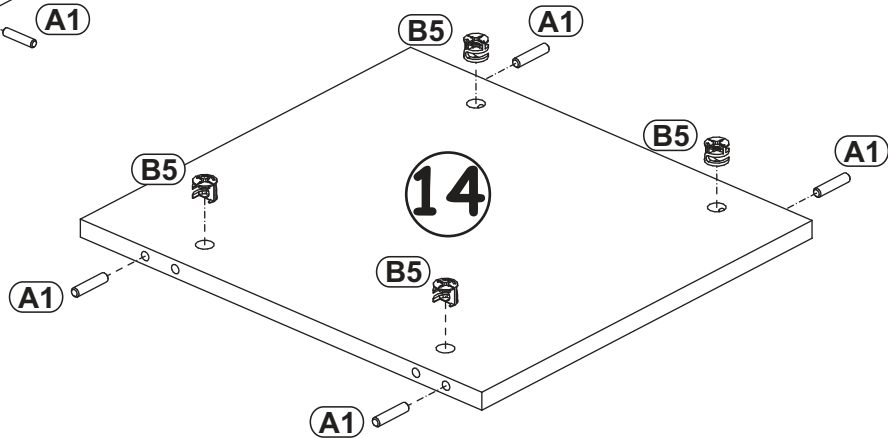
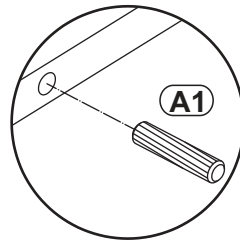
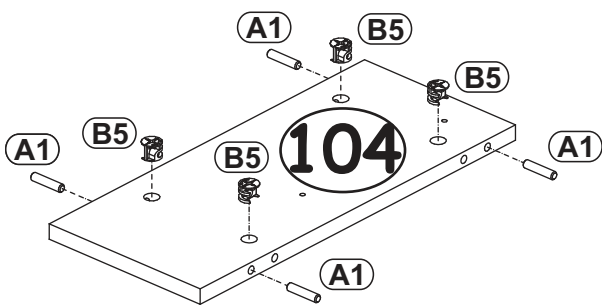
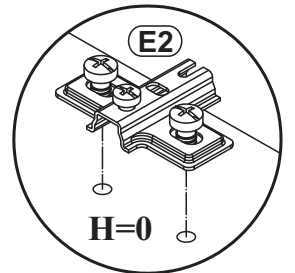
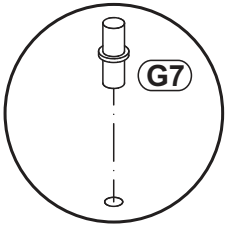
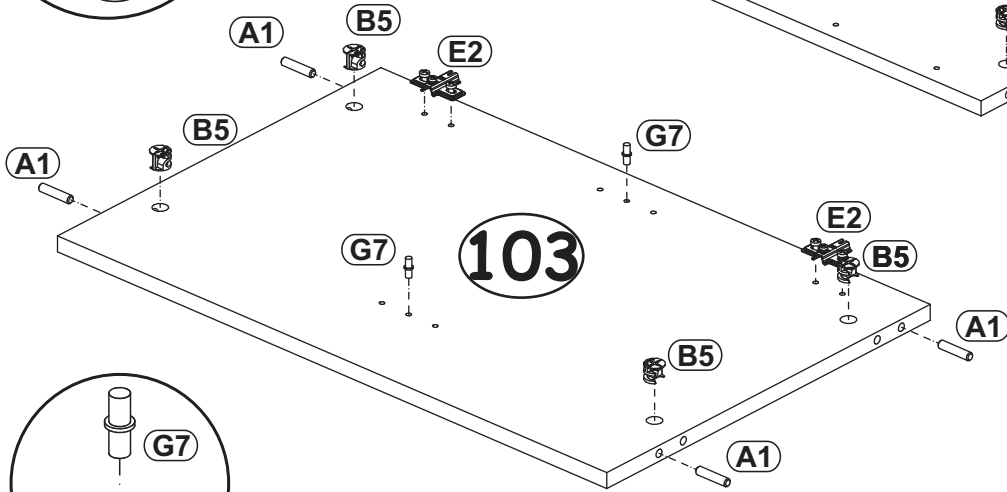
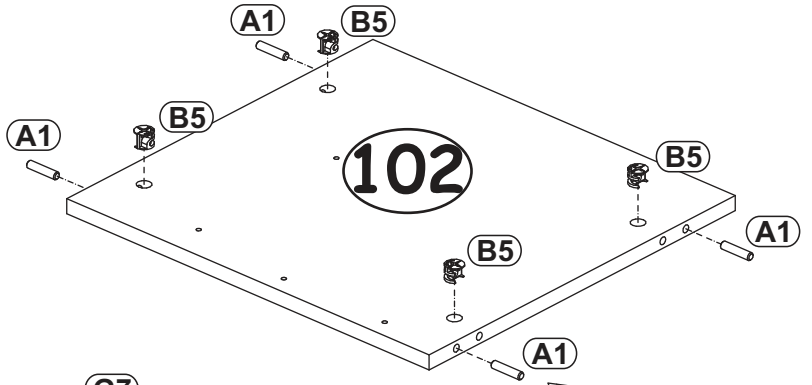
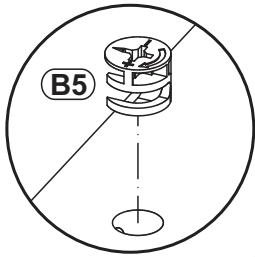
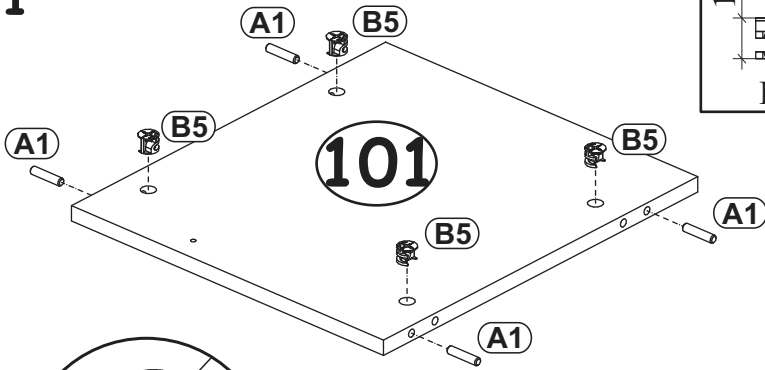
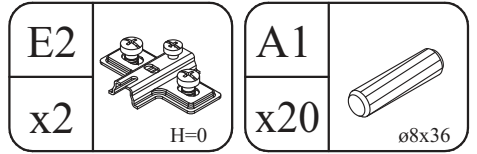
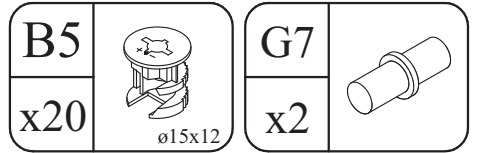
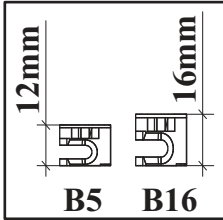
CROSS 28 ** CS SB

| | | | | | |
|--|--|---|---|---|---|
| A1 x48  ø8x36 | B4 x38  | B5 x32  ø15x12 | G5 x38  | B15 x8  Ø7x60 | G4 x16  |
| B16 x6  Ø15x16 | BP1 x2  | G7 x6  | E21 x4  Ø35 H=0 | E2 x4  H=0 | G16 x13  |
| L1 x2  | KR1 x2  | T3/T5 x2  | L6 x2  | D31 x4  EKØ6,3x13 | UP13 x60  UPØ3x16 |
| D10 x24  USØ3,5x13 | UP15 x6  UPØ4x25 | I11 x6  Ø45, h=15 | G2 x1  | B11 x8  Ø7x50 | S1 x3  |
| QU x2  L-350 | D20 x8  ESØ6,3x9,5 | UP6 x2  UPØ4x30 |  | | |

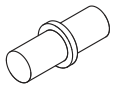


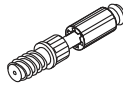
CROSS 28 ** CS SB

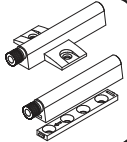
1




CROSS 28 ** CS SB

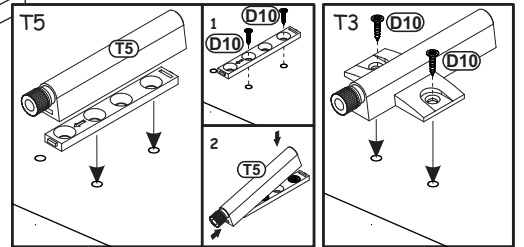
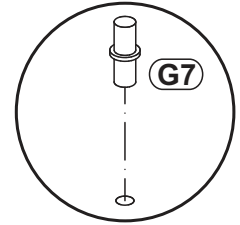
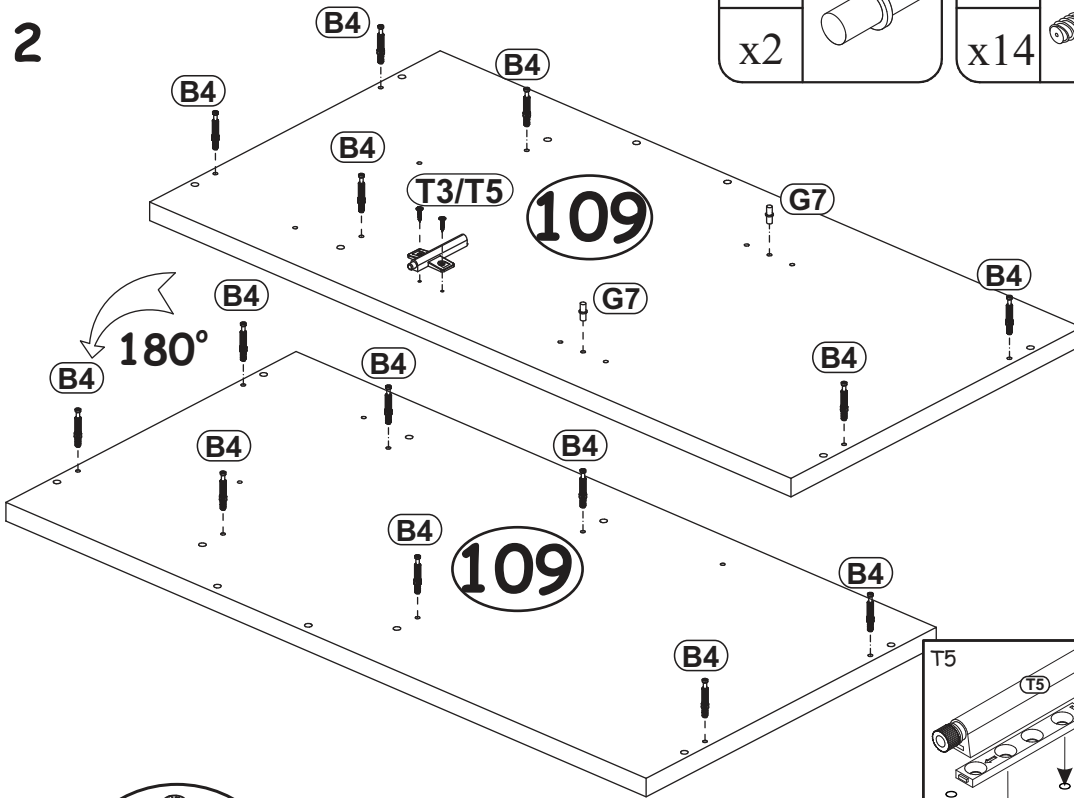
| | |
|----|--|
| G7 |  |
| x2 | |

| | |
|-----|---|
| B4 |  |
| x14 | |

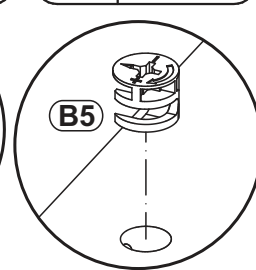
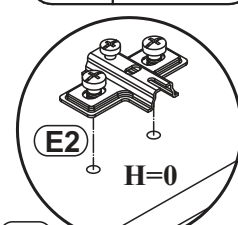
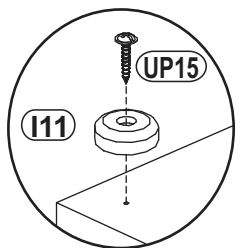
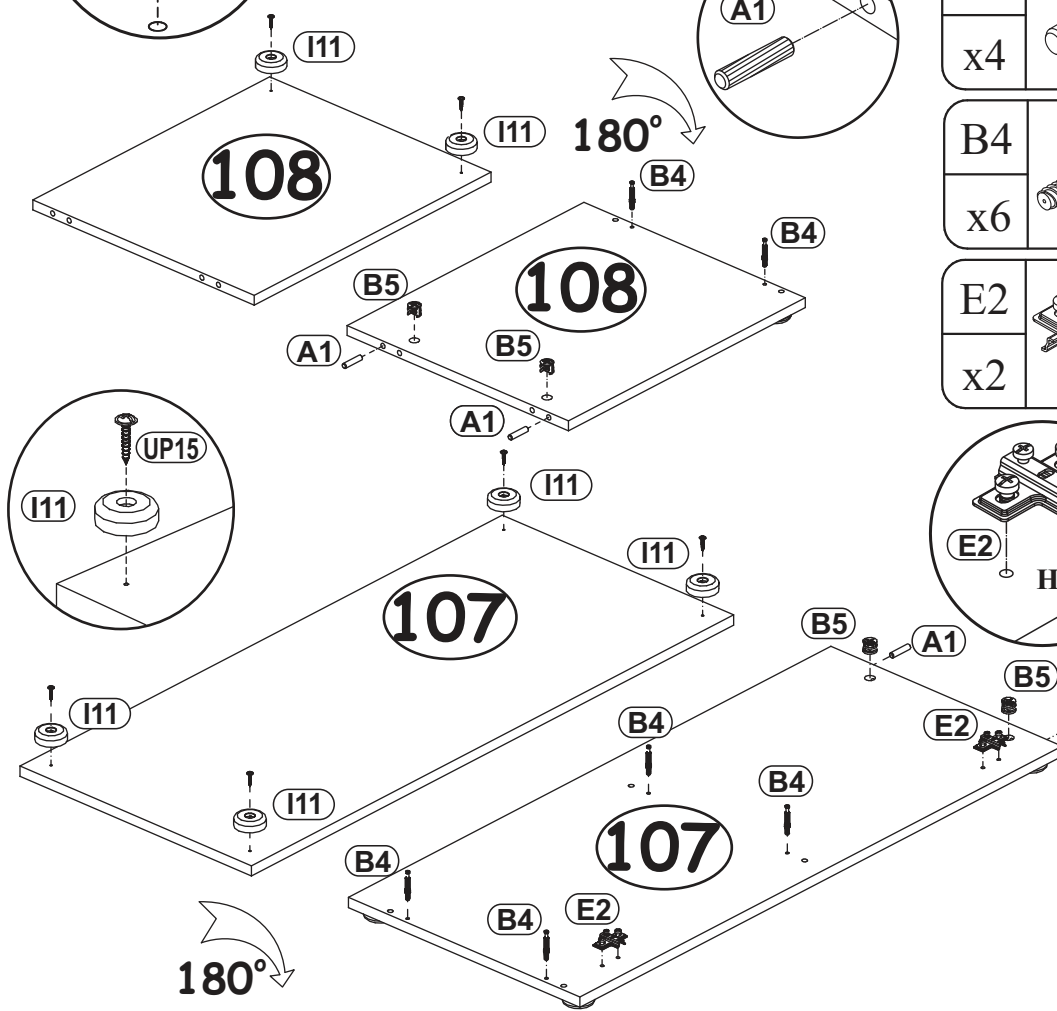
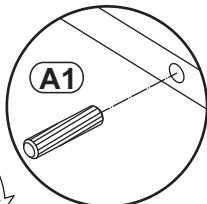
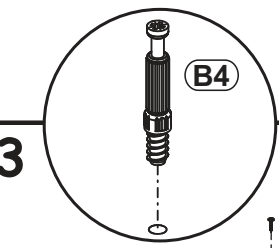
| | |
|-------|--|
| T3/T5 |  |
| x1 | |

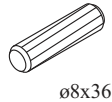
| | |
|-----|---|
| D10 |  |
| x2 | USØ3,5x13 |


2

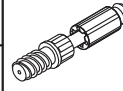



3

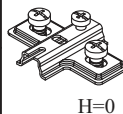



| | |
|----|---|
| A1 |  |
| x4 | ø8x36 |

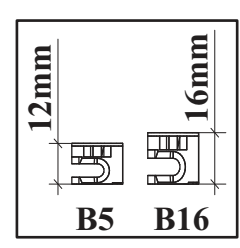
| | |
|------|---|
| UP15 |  |
| x6 | UPØ4x25 |

| | |
|----|---|
| B4 |  |
| x6 | |

| | |
|-----|---|
| I11 |  |
| x6 | Ø45, h=15 |

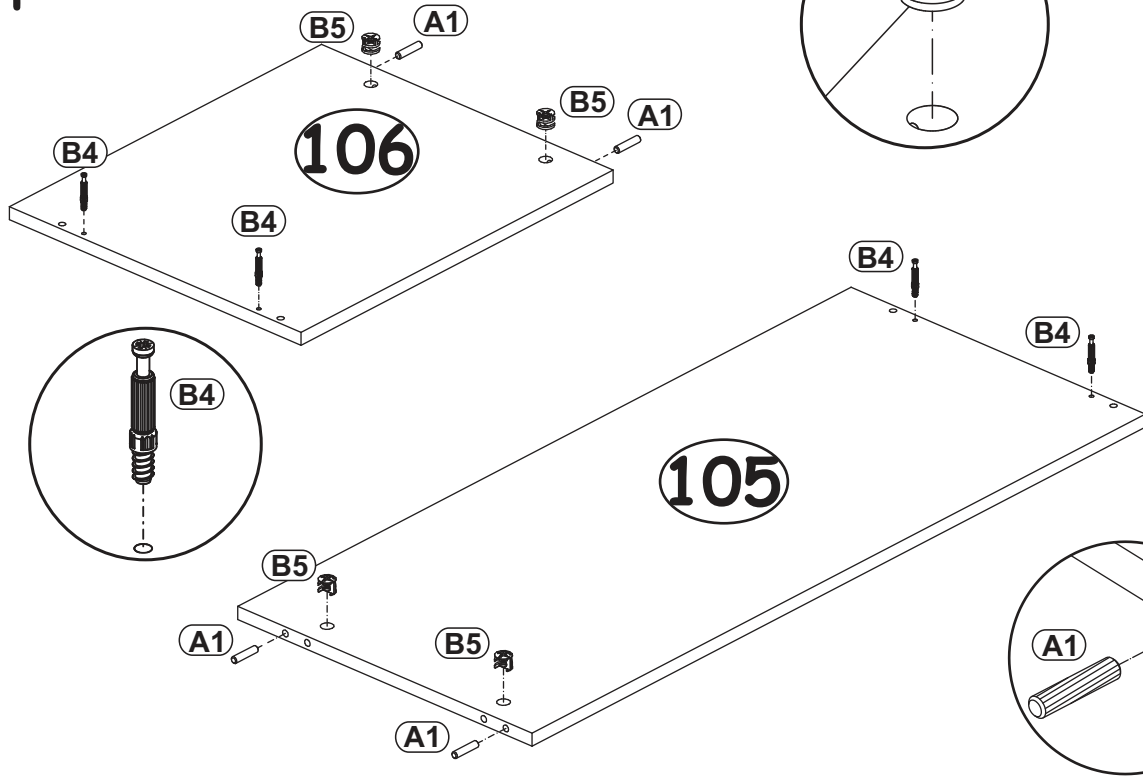
| | |
|----|---|
| E2 |  |
| x2 | H=0 |

| | |
|----|---|
| B5 |  |
| x4 | ø15x12 |



CROSS 28 ** CS SB

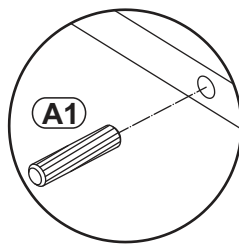
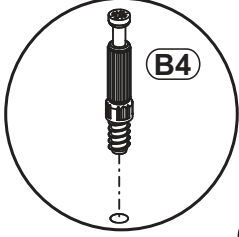
4



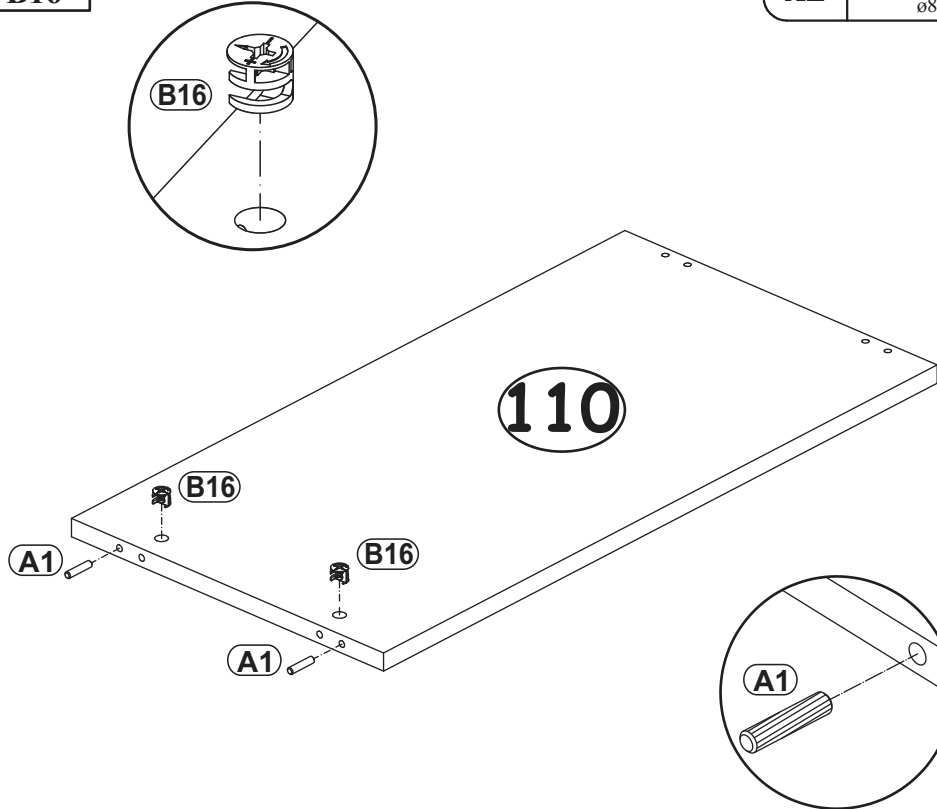
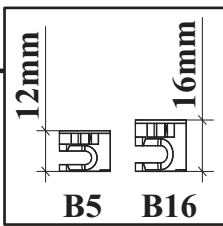
| | |
|----|--------|
| B5 | |
| x4 | ø15x12 |

| | |
|----|-------|
| A1 | |
| x4 | ø8x36 |

| | |
|----|--|
| B4 | |
| x4 | |

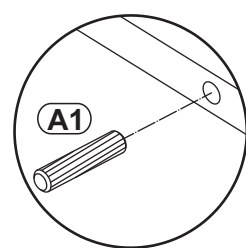
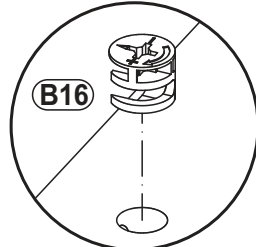


5

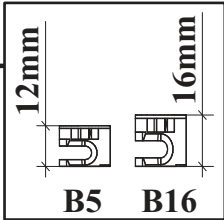
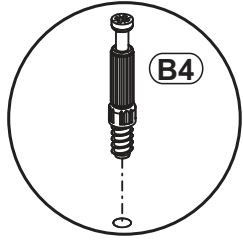
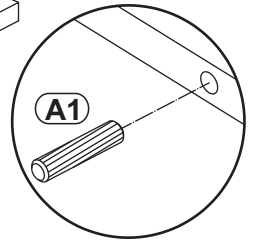
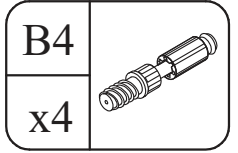
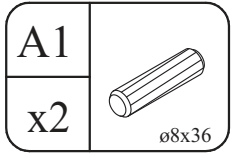
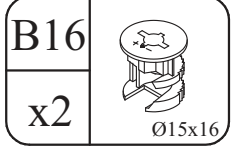
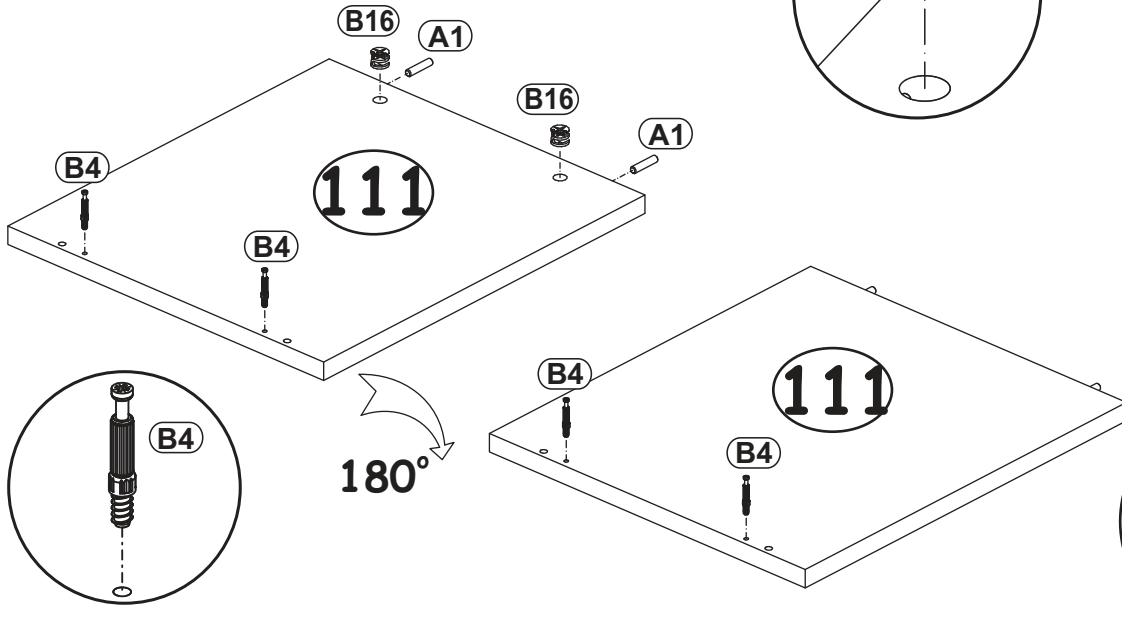


| | |
|----|-------|
| A1 | |
| x2 | ø8x36 |

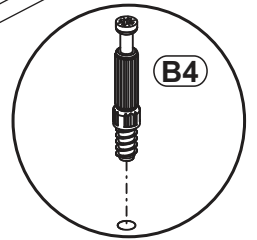
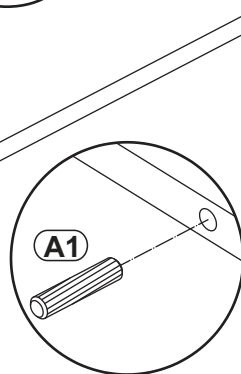
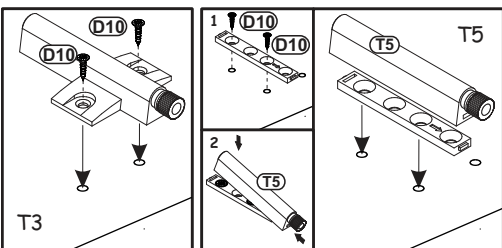
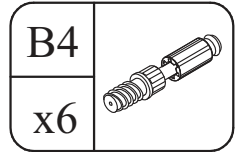
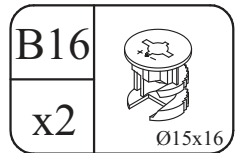
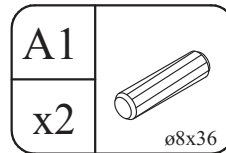
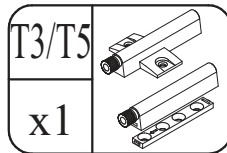
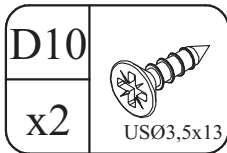
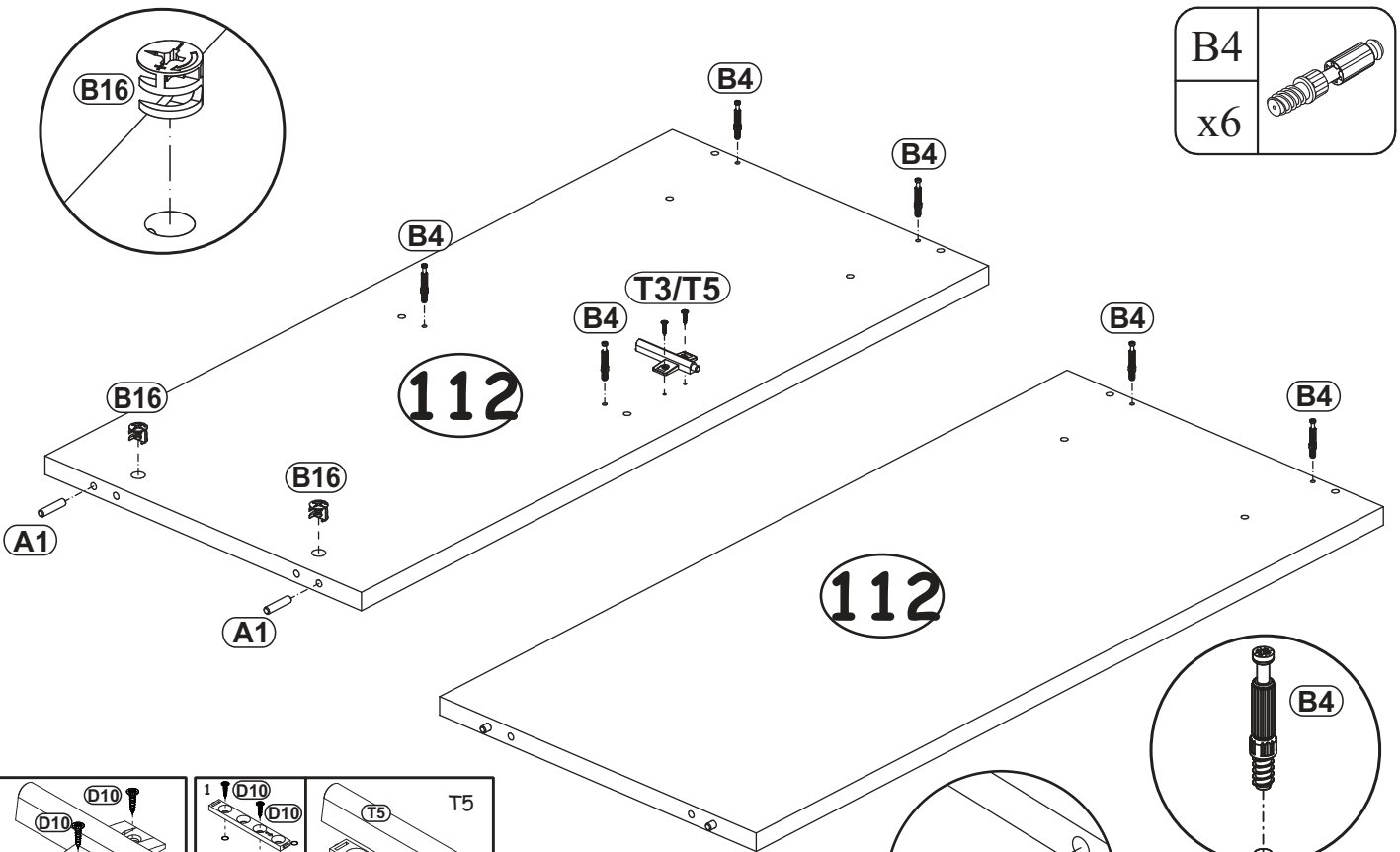
| | |
|-----|--------|
| B16 | |
| x2 | Ø15x16 |



6

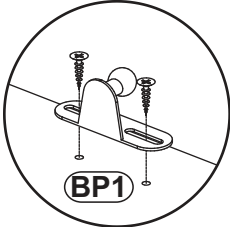
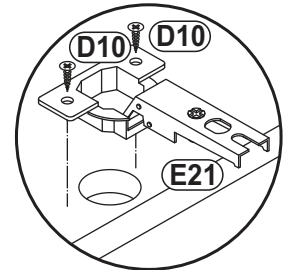
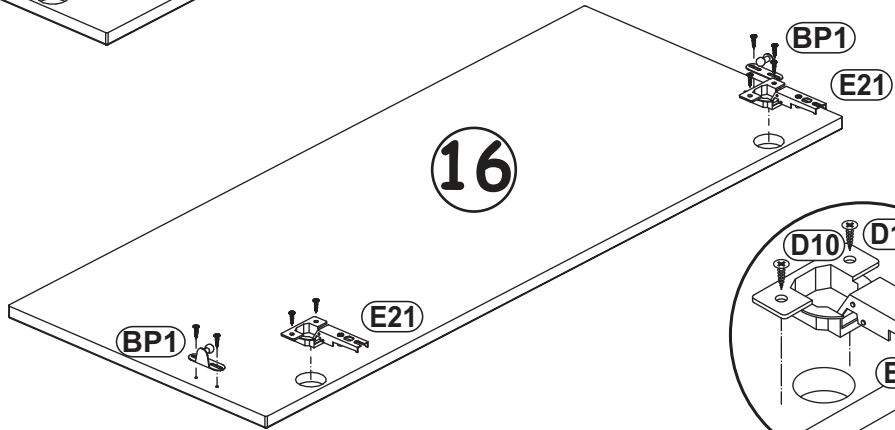
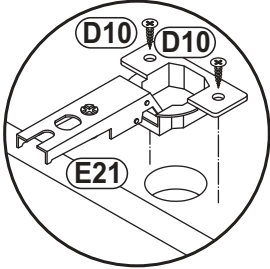
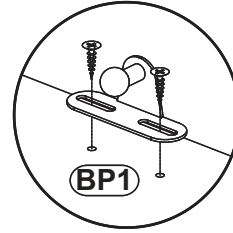
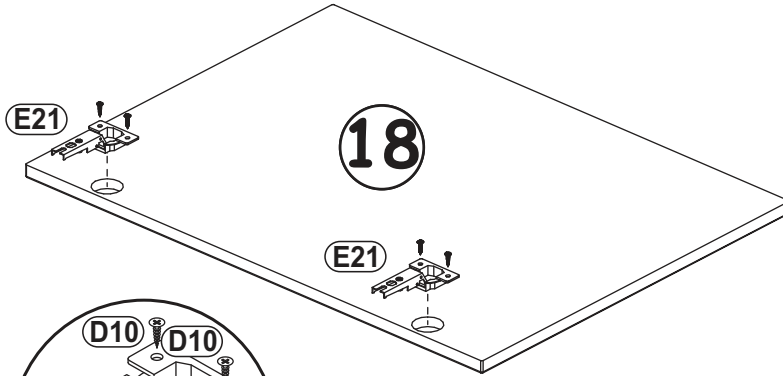
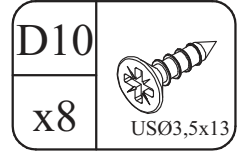
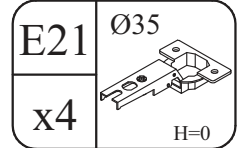
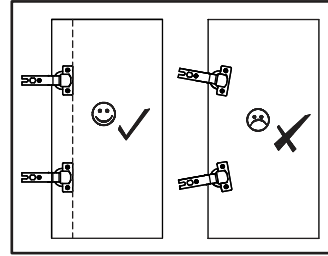
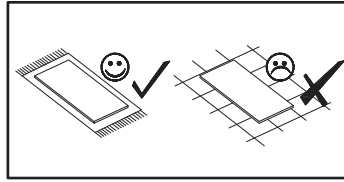


7

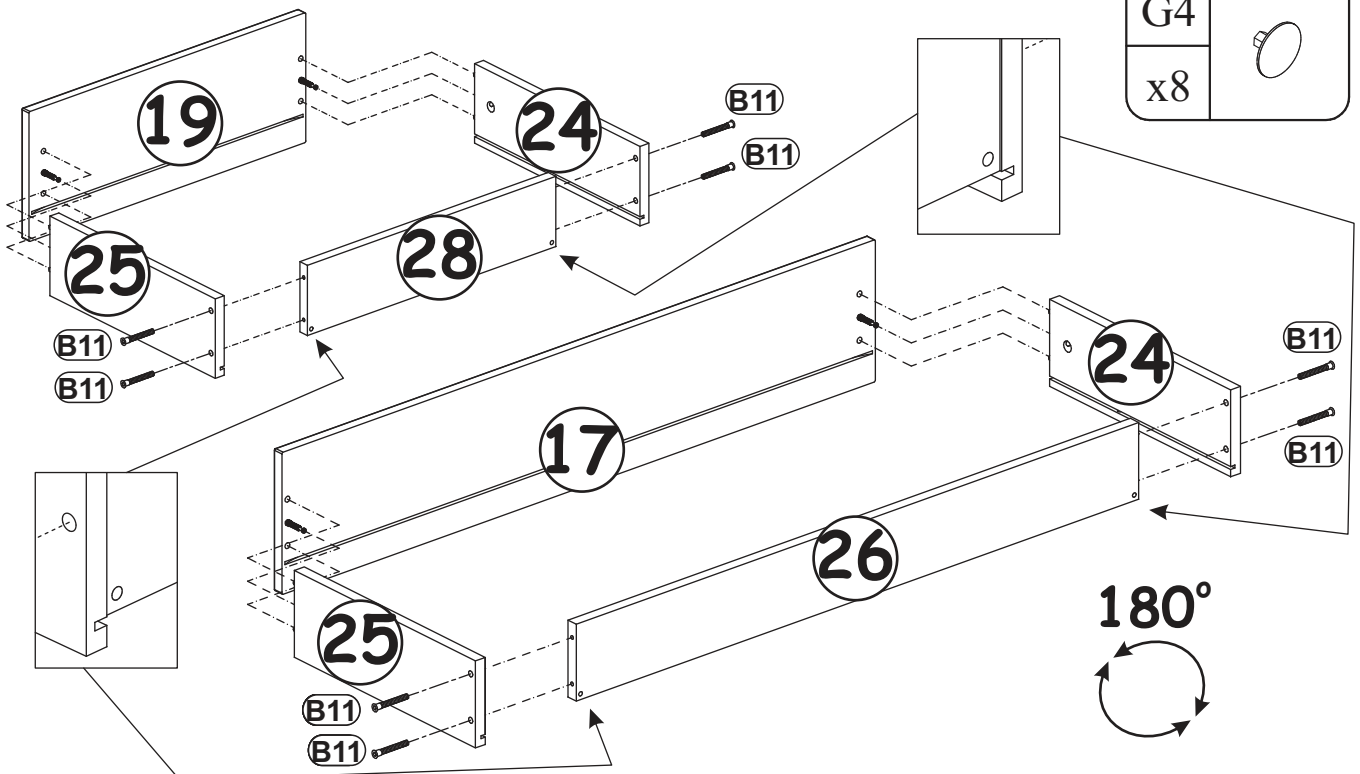
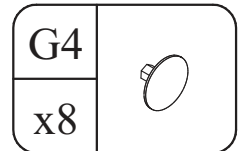
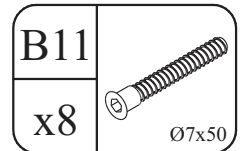
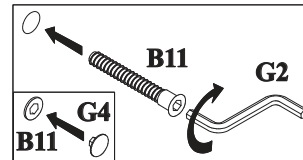
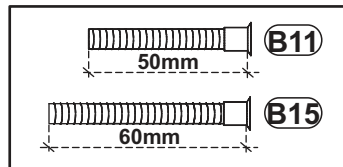


CROSS 28 ** CS SB

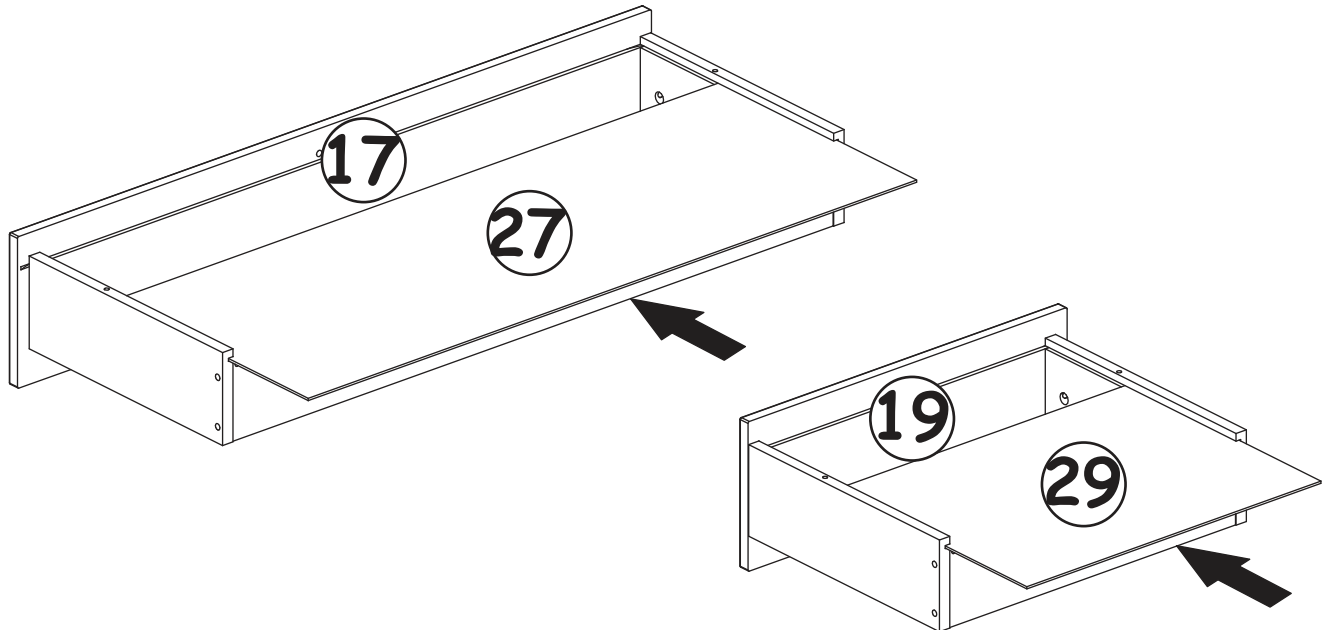
10



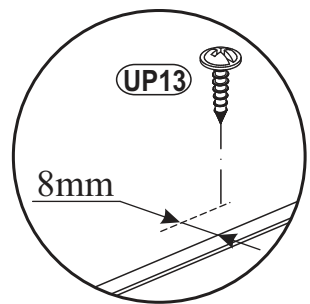
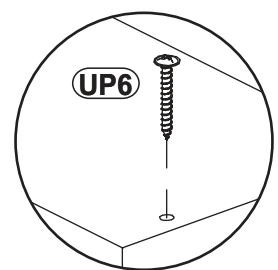
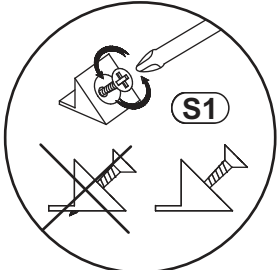
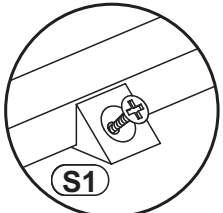
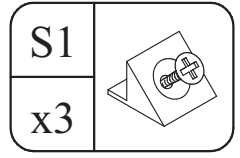
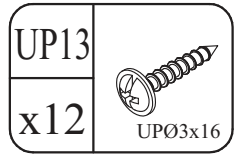
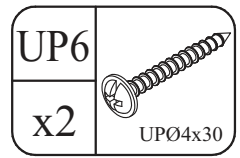
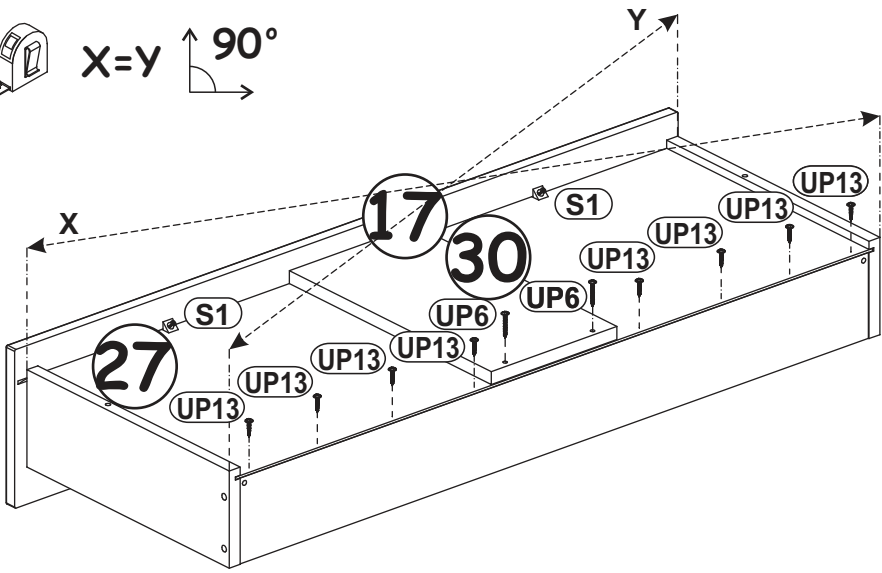
11



12

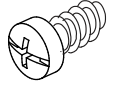


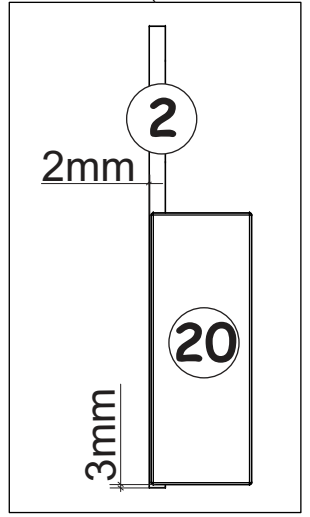
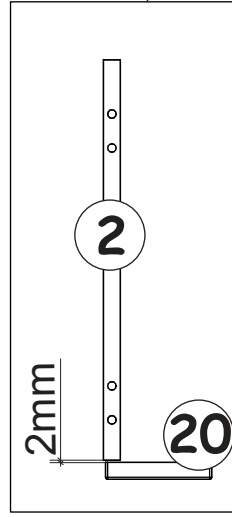
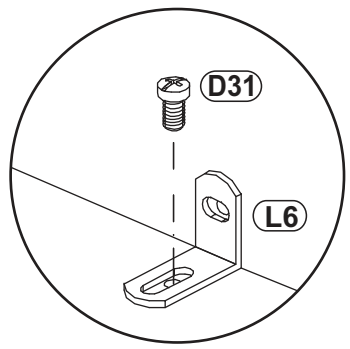
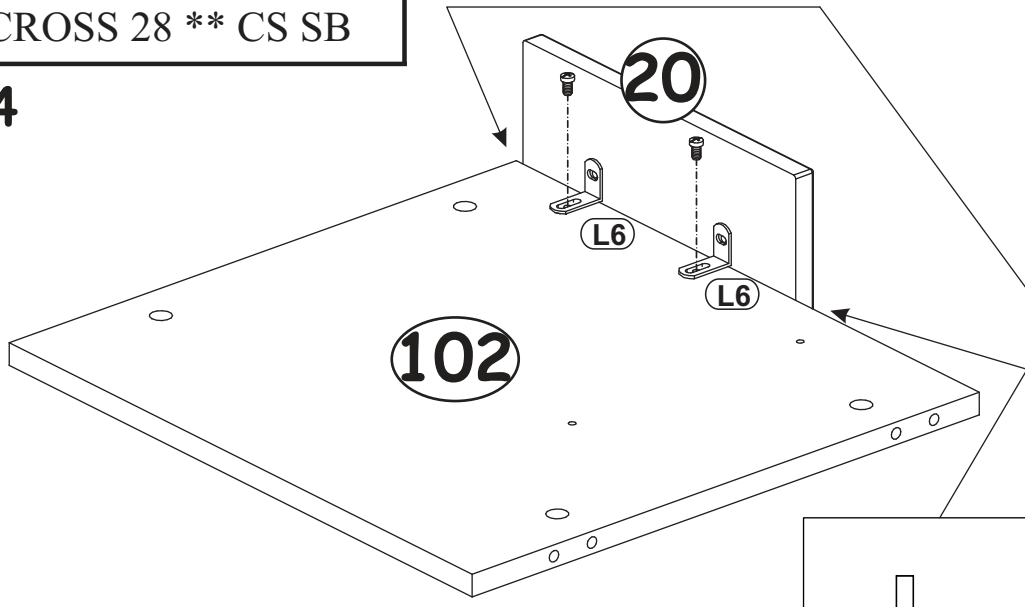
13




CROSS 28 ** CS SB


14

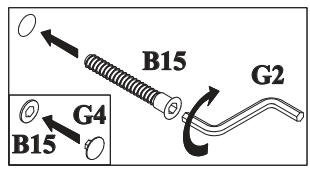
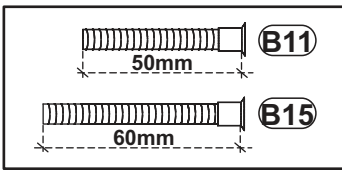
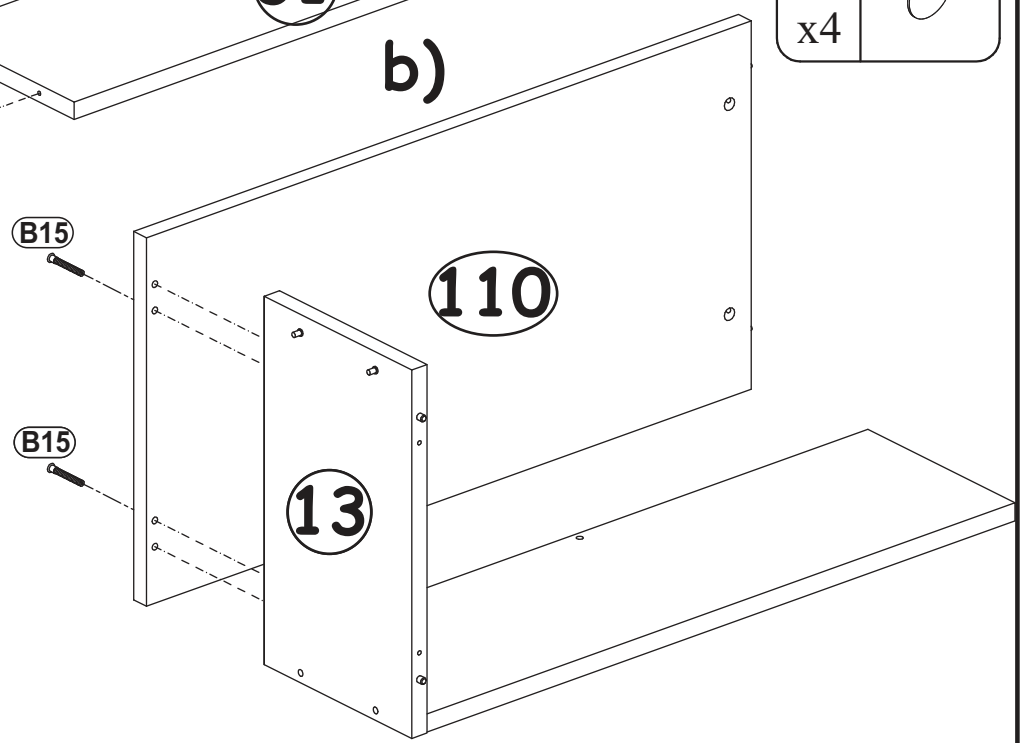
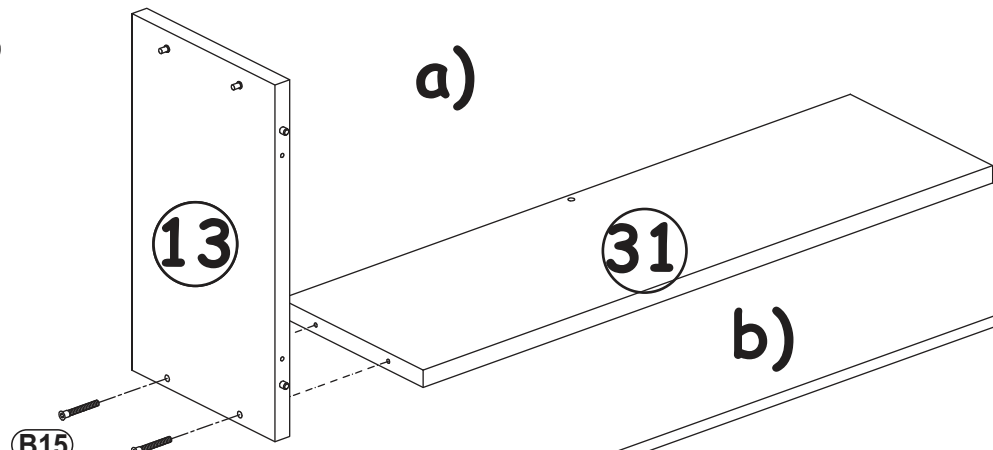
| | |
|-----|---|
| D31 |  |
| x2 | EKØ6,3x13 |



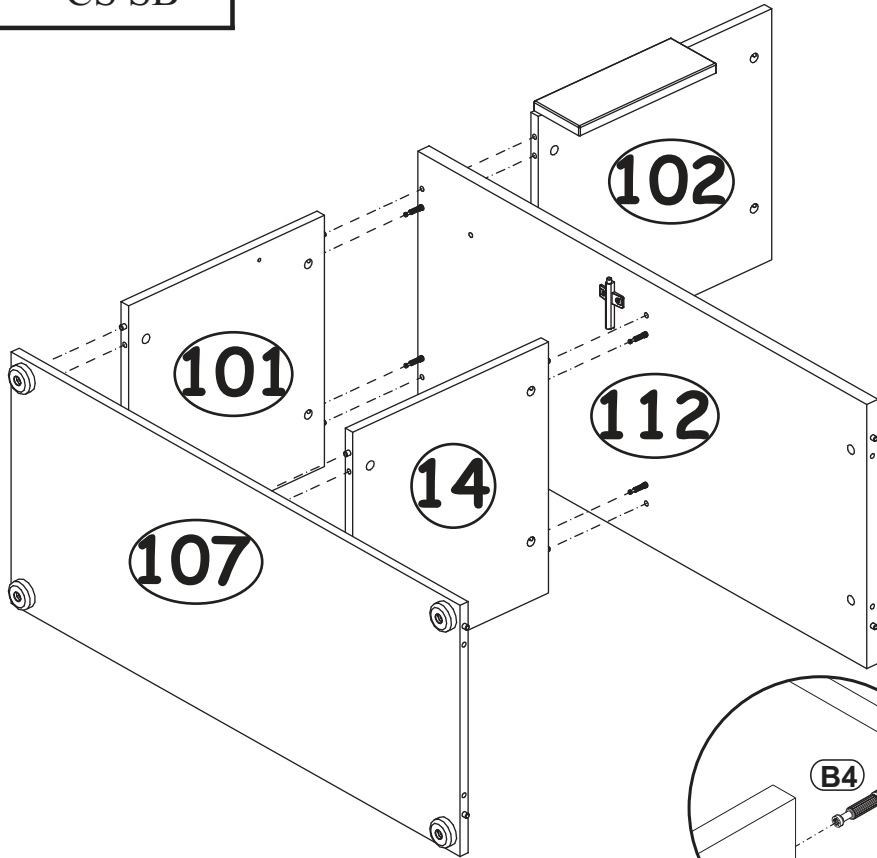
15


| | |
|-----|---|
| B15 |  |
| x4 | Ø7x60 |

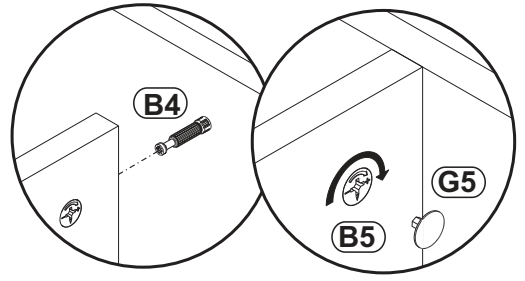
| | |
|----|---|
| G4 |  |
| x4 | |



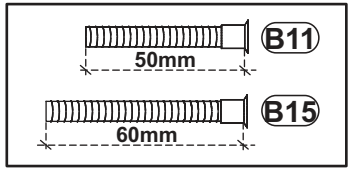
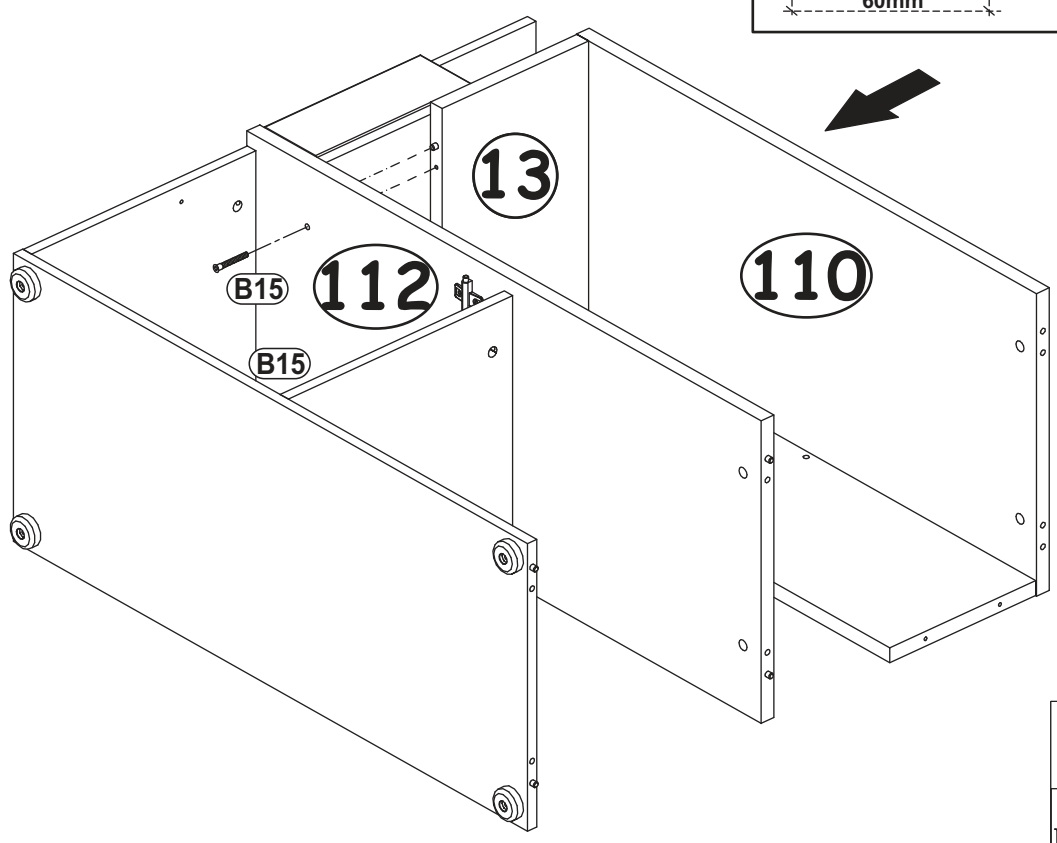
16





| | |
|-----|---|
| G5 |  |
| x10 | |

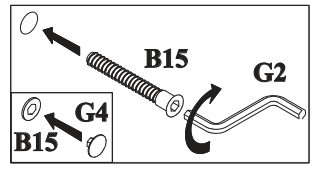


17

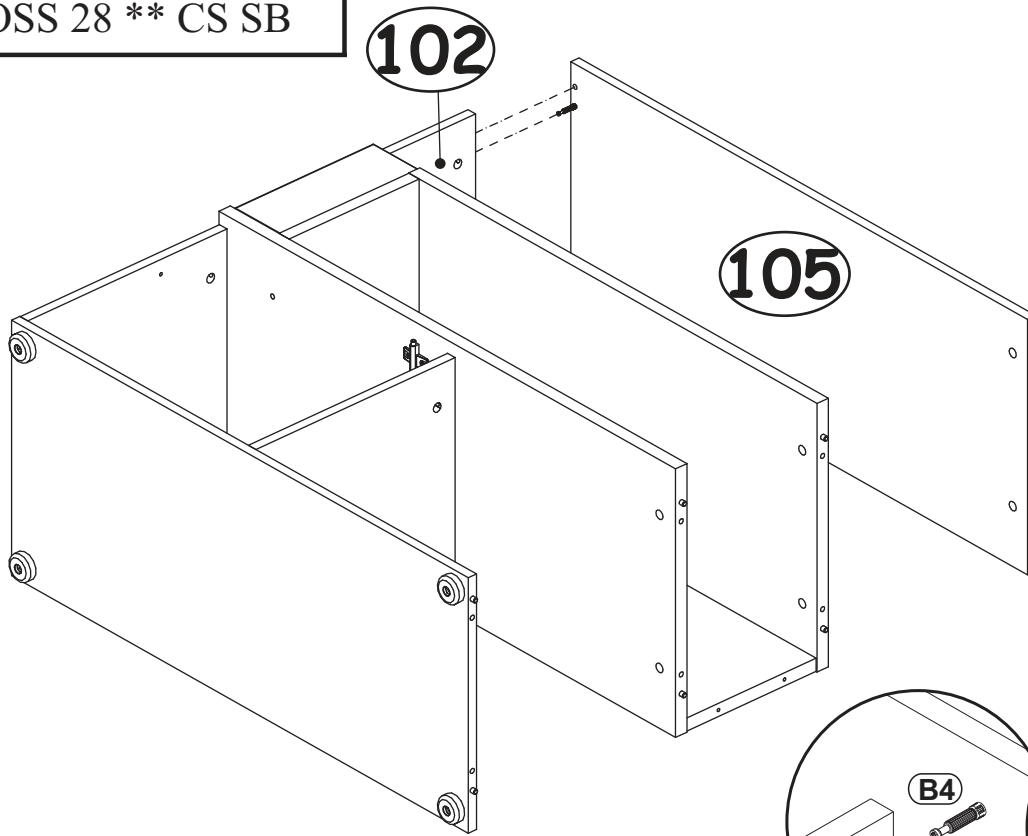



| | |
|-----|---|
| B15 |  |
| x2 | Ø7x60 |

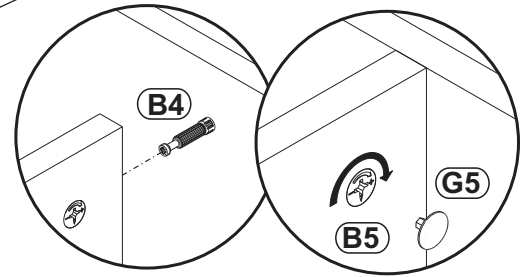
| | |
|----|---|
| G4 |  |
| x2 | |



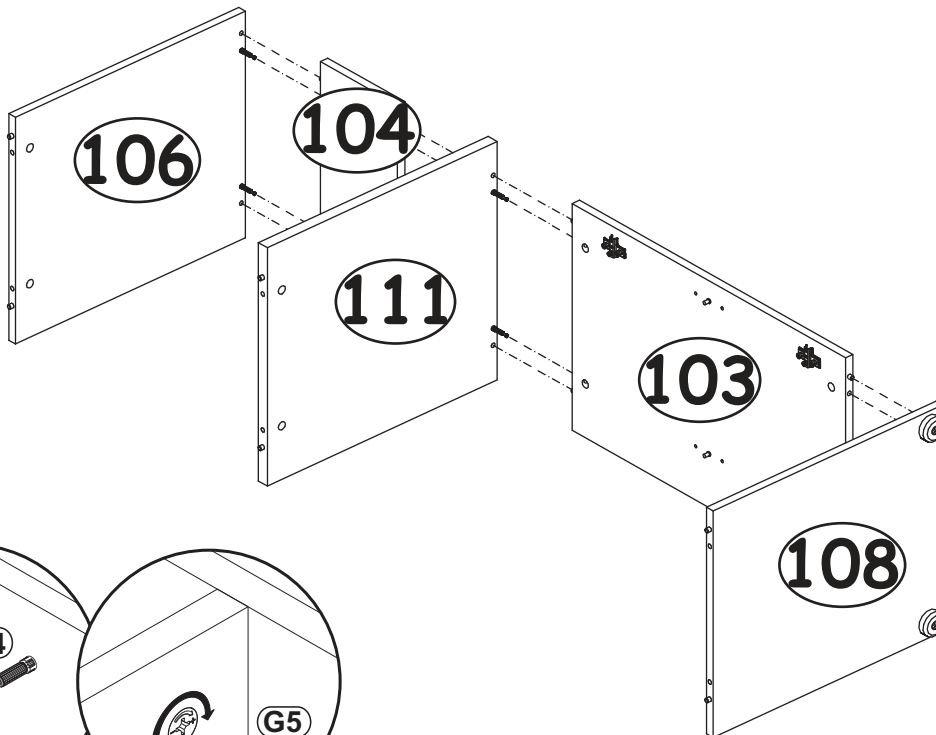
18




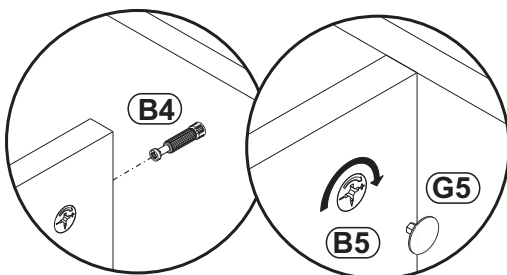
| | |
|----|---|
| G5 |  |
| x4 | |



19

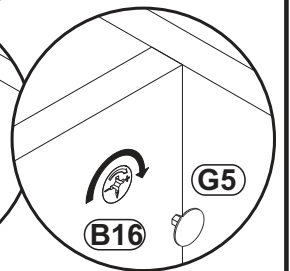
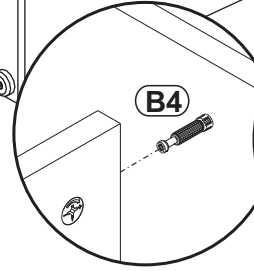
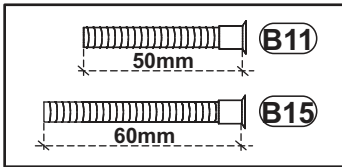
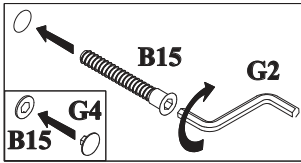
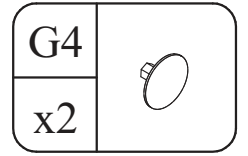
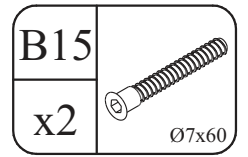
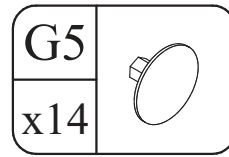
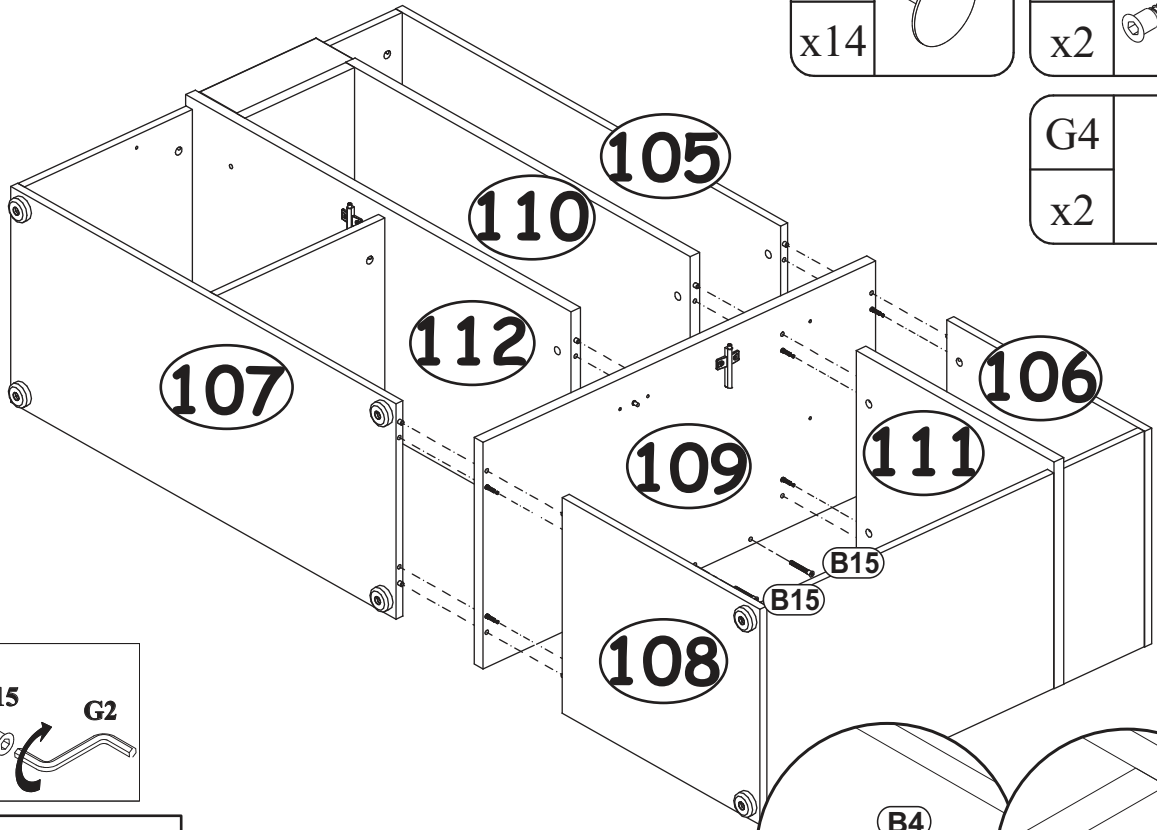


| | |
|----|---|
| G5 |  |
| x8 | |

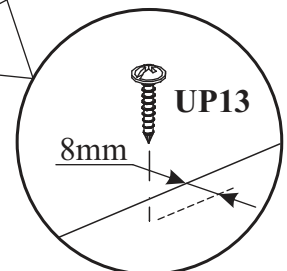
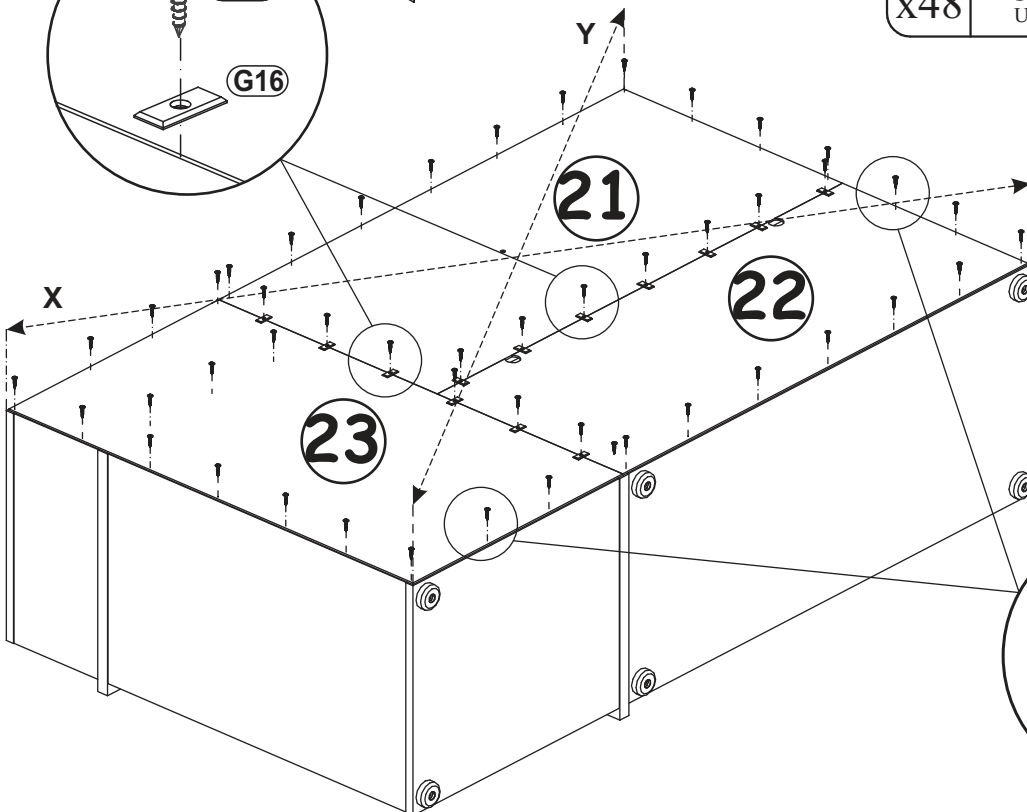
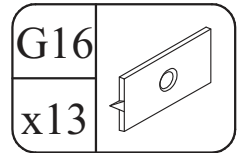
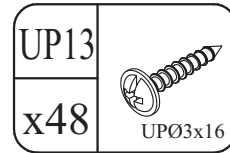
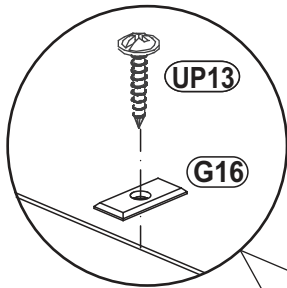


CROSS 28 ** CS SB

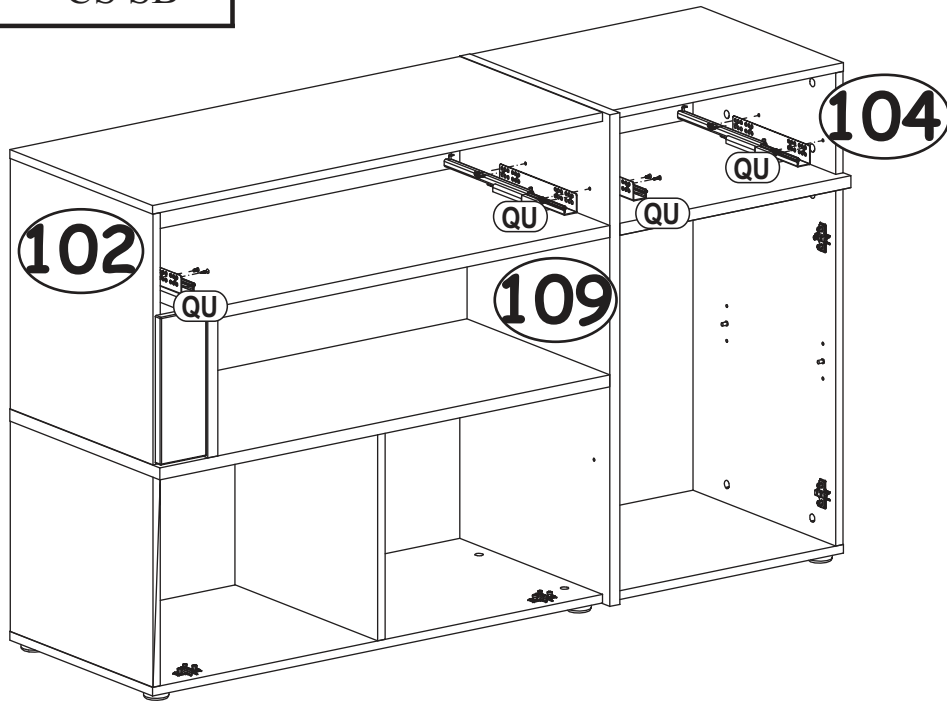
20

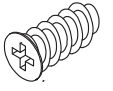




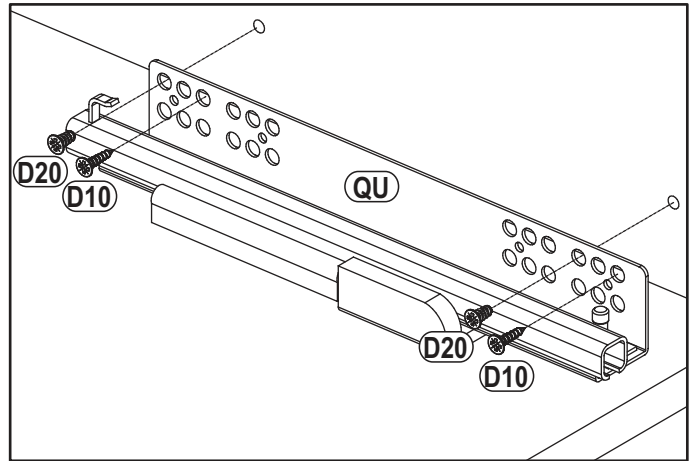
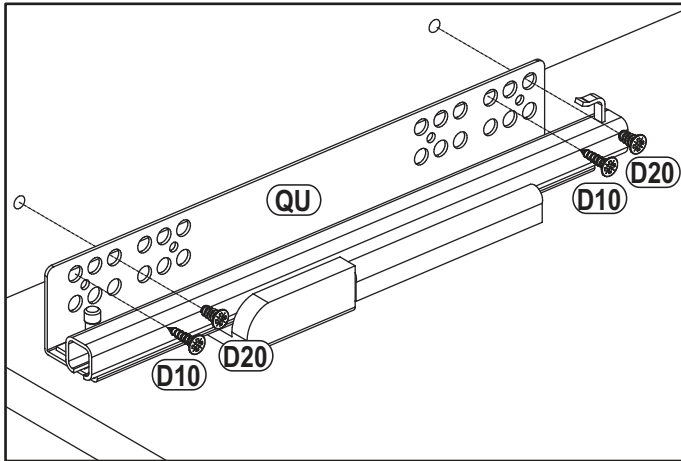
21



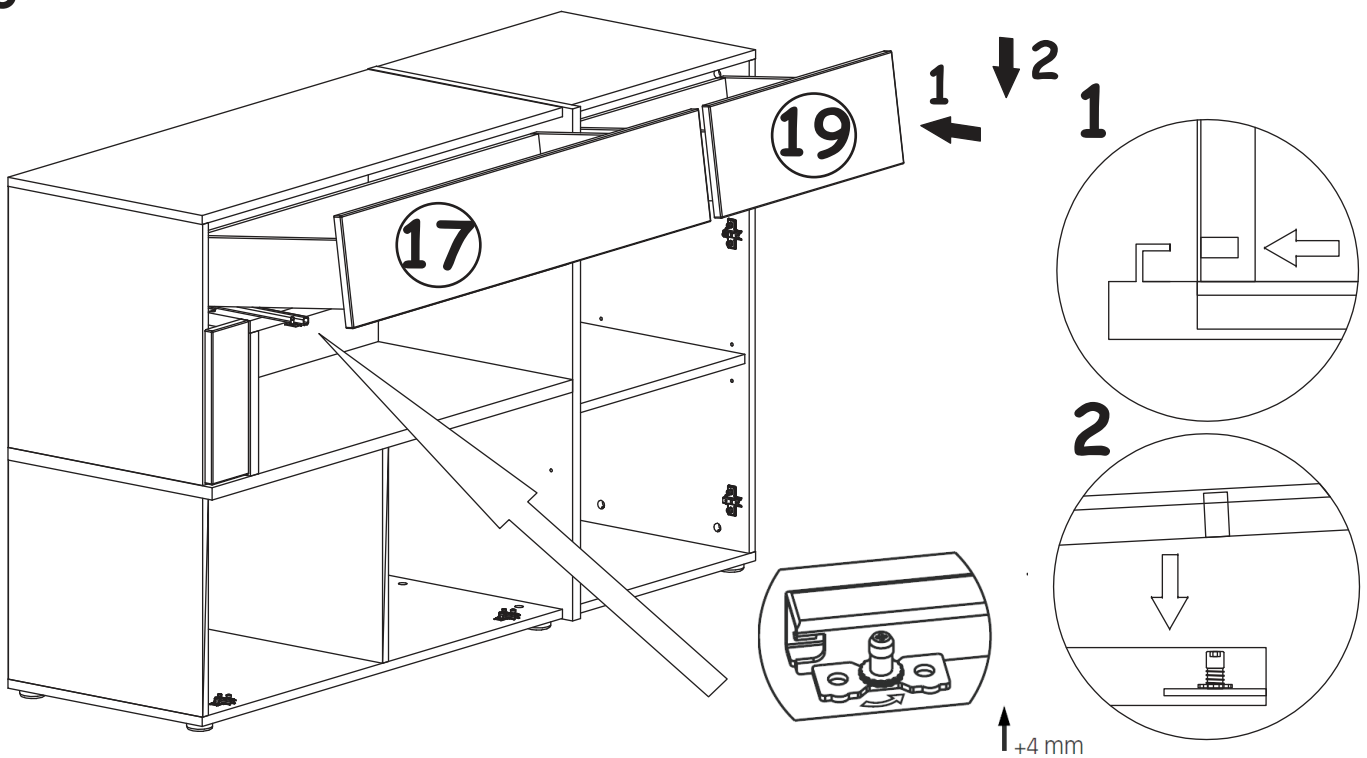
22



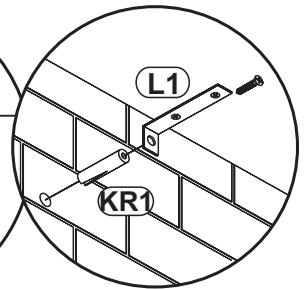
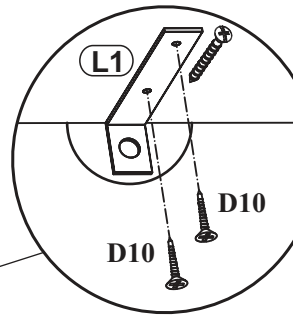
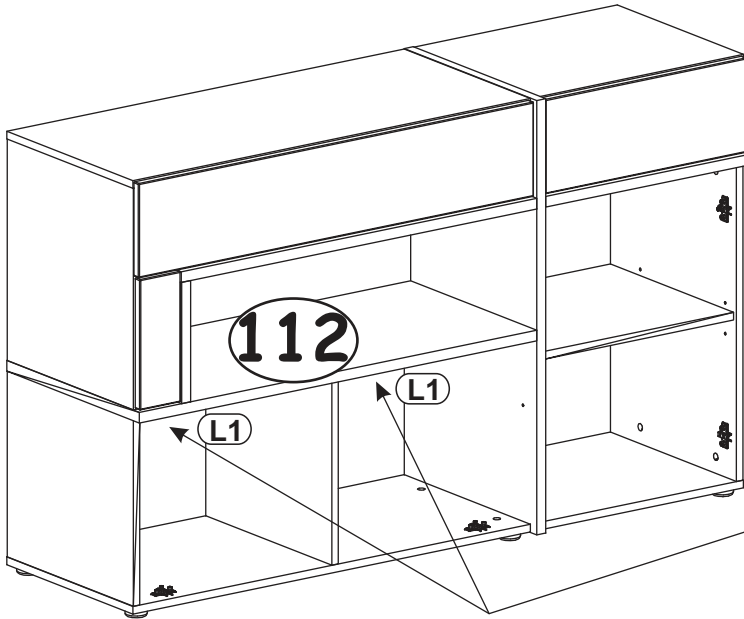
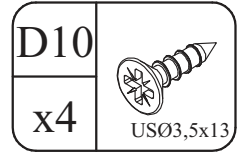
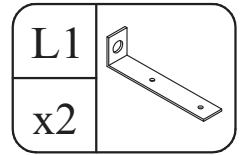
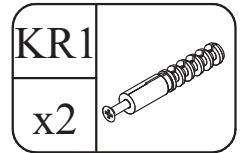
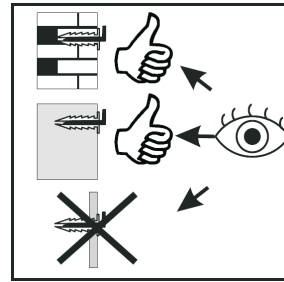
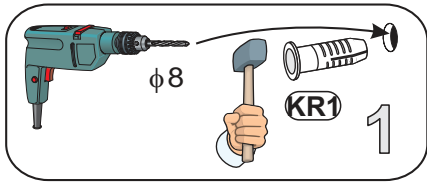
| | |
|-----|---|
| D20 |  |
| x8 | ESØ6,3x9,5 |
| D10 |  |
| x8 | USØ3,5x13 |
| QU |  |
| x2 | L-350 |



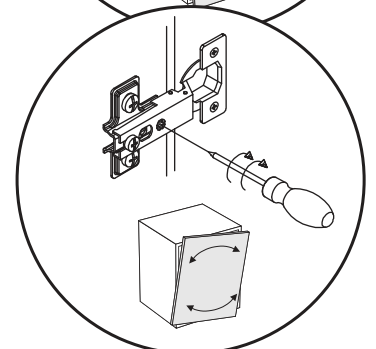
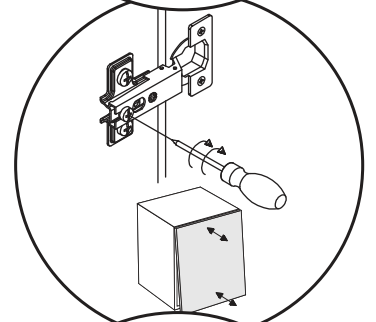
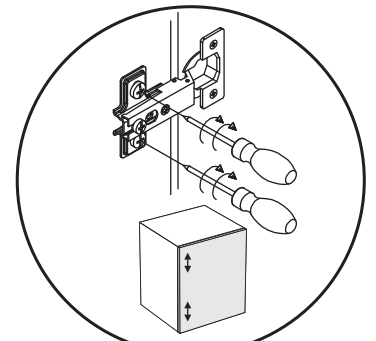
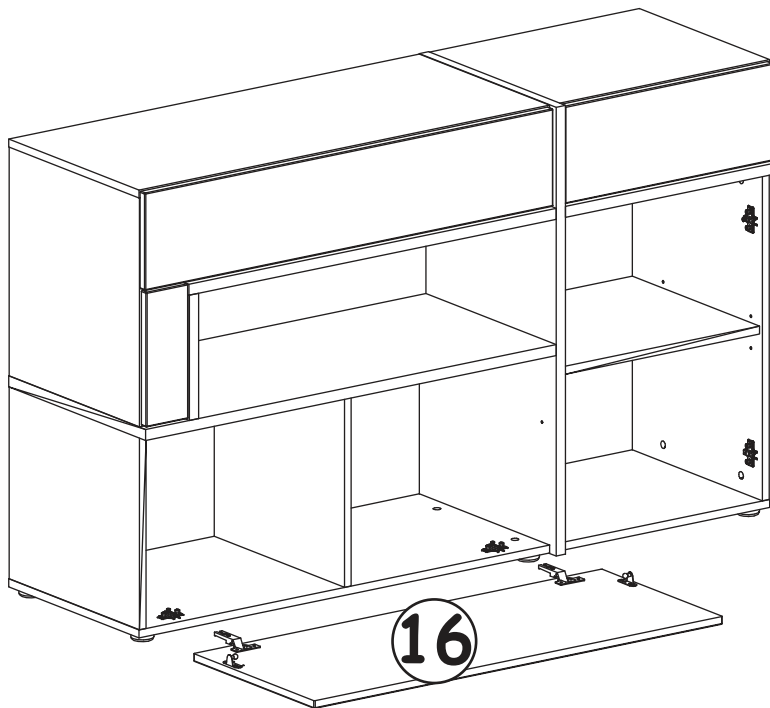
23



24



25



26

