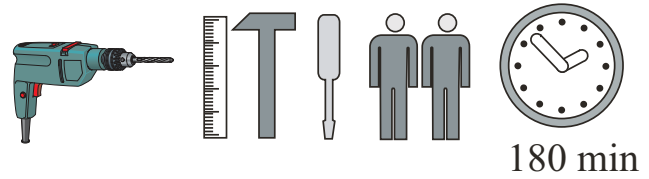
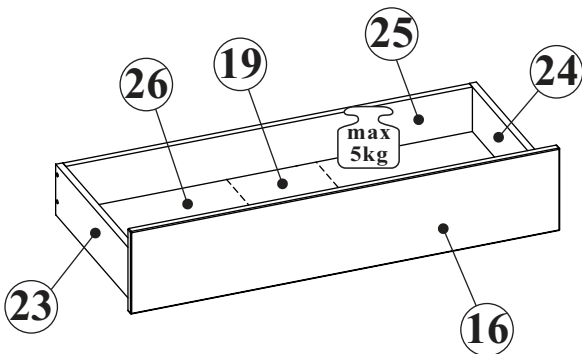
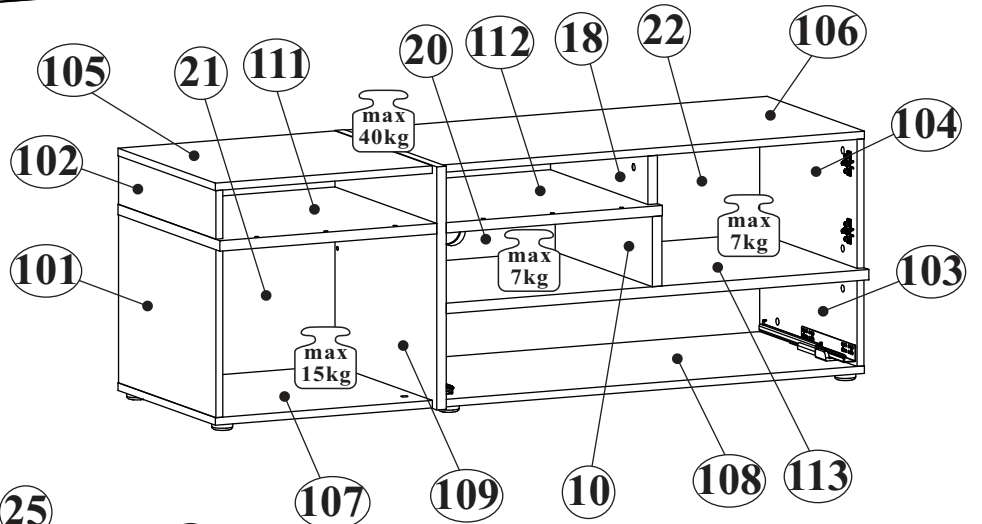
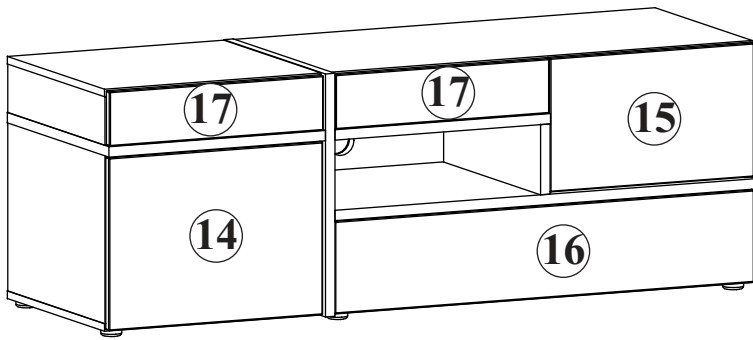
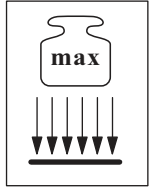


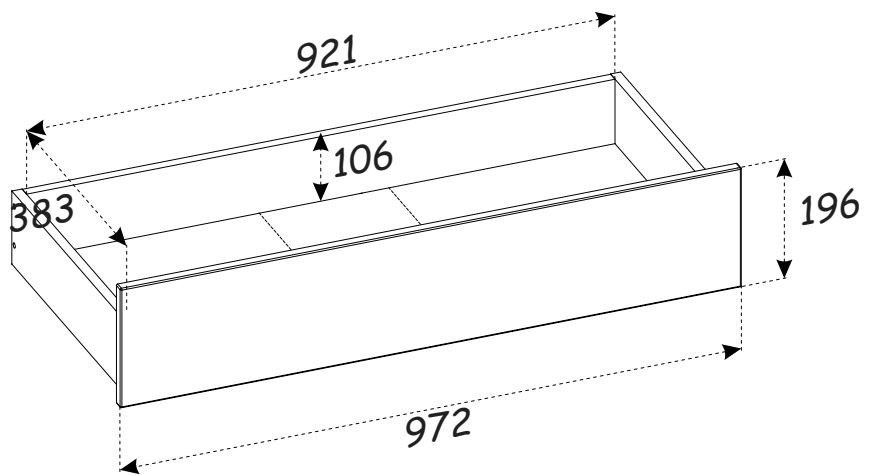
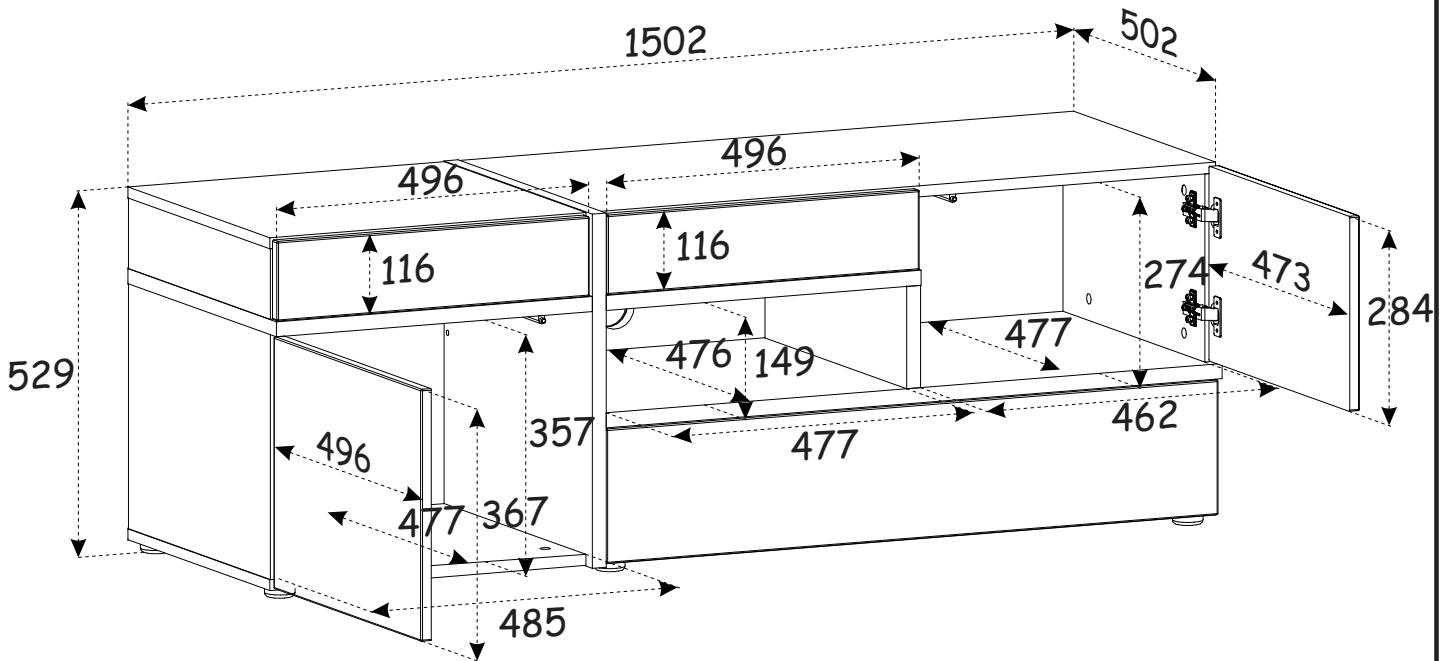
# CROSS 28 \*\* CS RTV



NO	Dim.		Col.-No	Qty
101	357	477	16	2
102	103	477	16	2
103	186	477	16	2
104	274	477	16	2
105	502	477	16	2
106	978	477	16	2
107	502	477	16	2
108	978	477	16	2
109	516	499	22	1
10	149	499	22	1
111	502	499	22	1
112	500	499	22	1
113	978	499	22	1

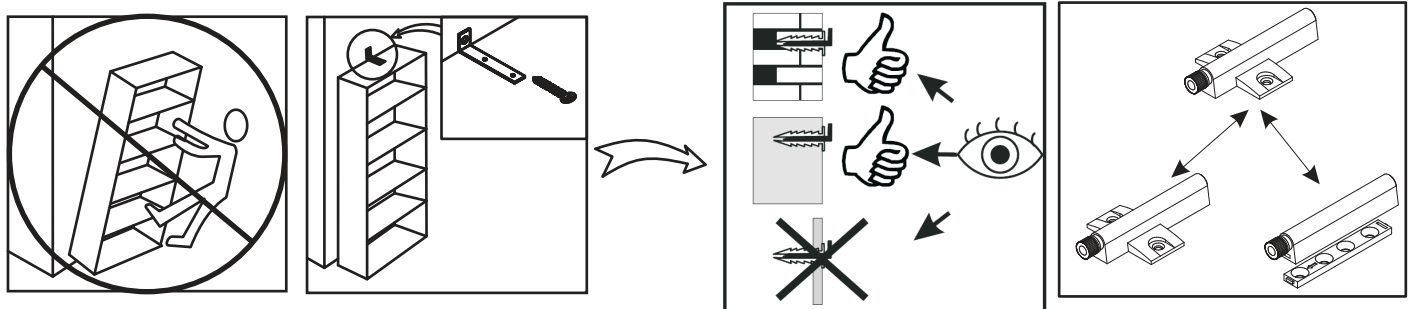
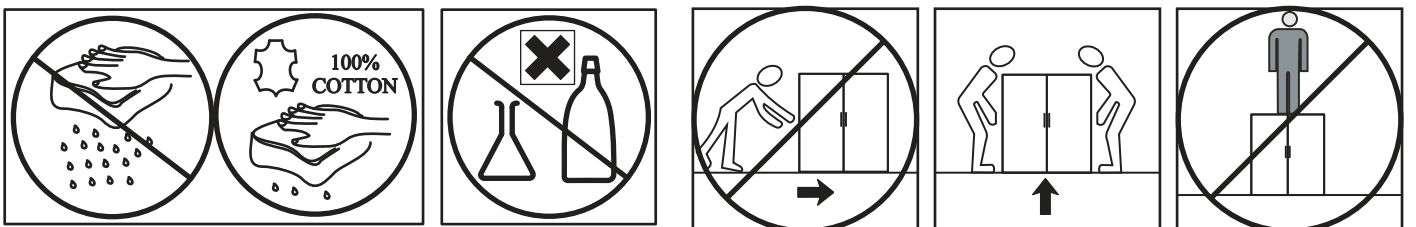
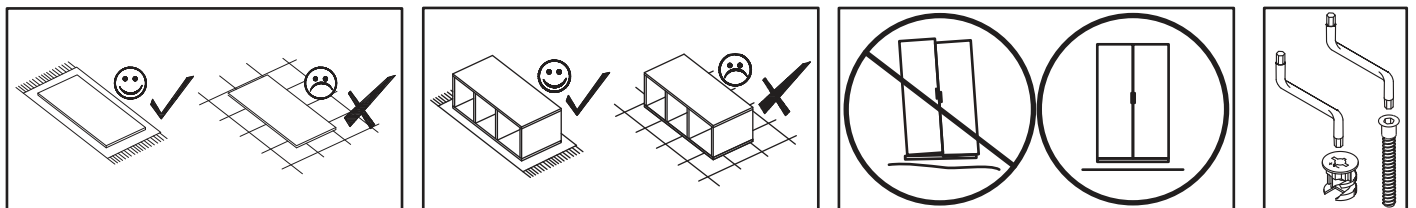
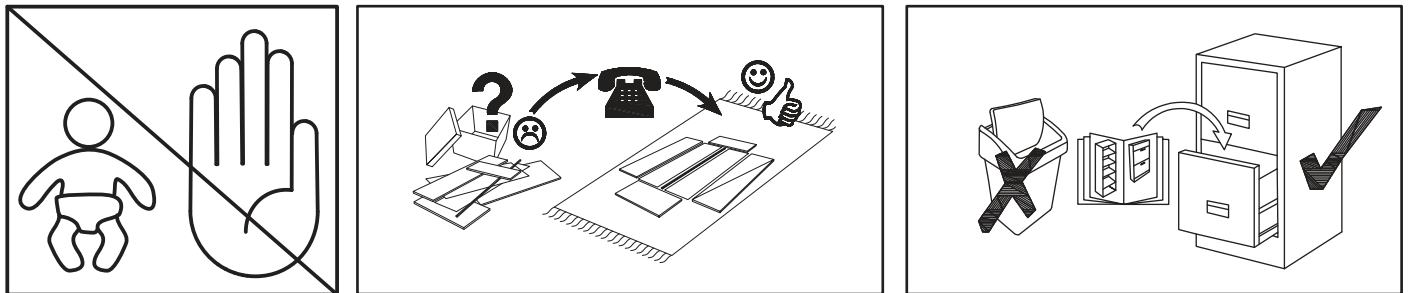
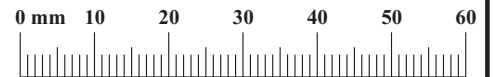
NO	Dim.		Col.-No	Qty
14	367	496	16	1
15	284	473	16	1
16	196	972	16	1
17	116	496	16	1
18	103	477	22	1
19	400	184	16	2
20	476	148	22	1
21	508	509	3	1
22	508	985	3	1
23	400	120	16	2
24	400	120	16	2
25	921	106	16	2
26	404	933	3	2

# CROSS 28 \*\* CS RTV



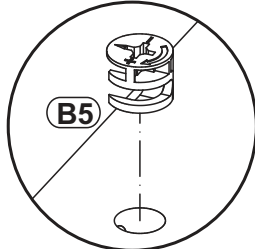
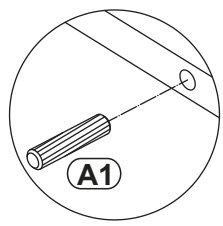
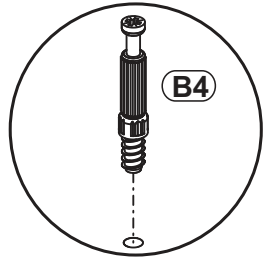
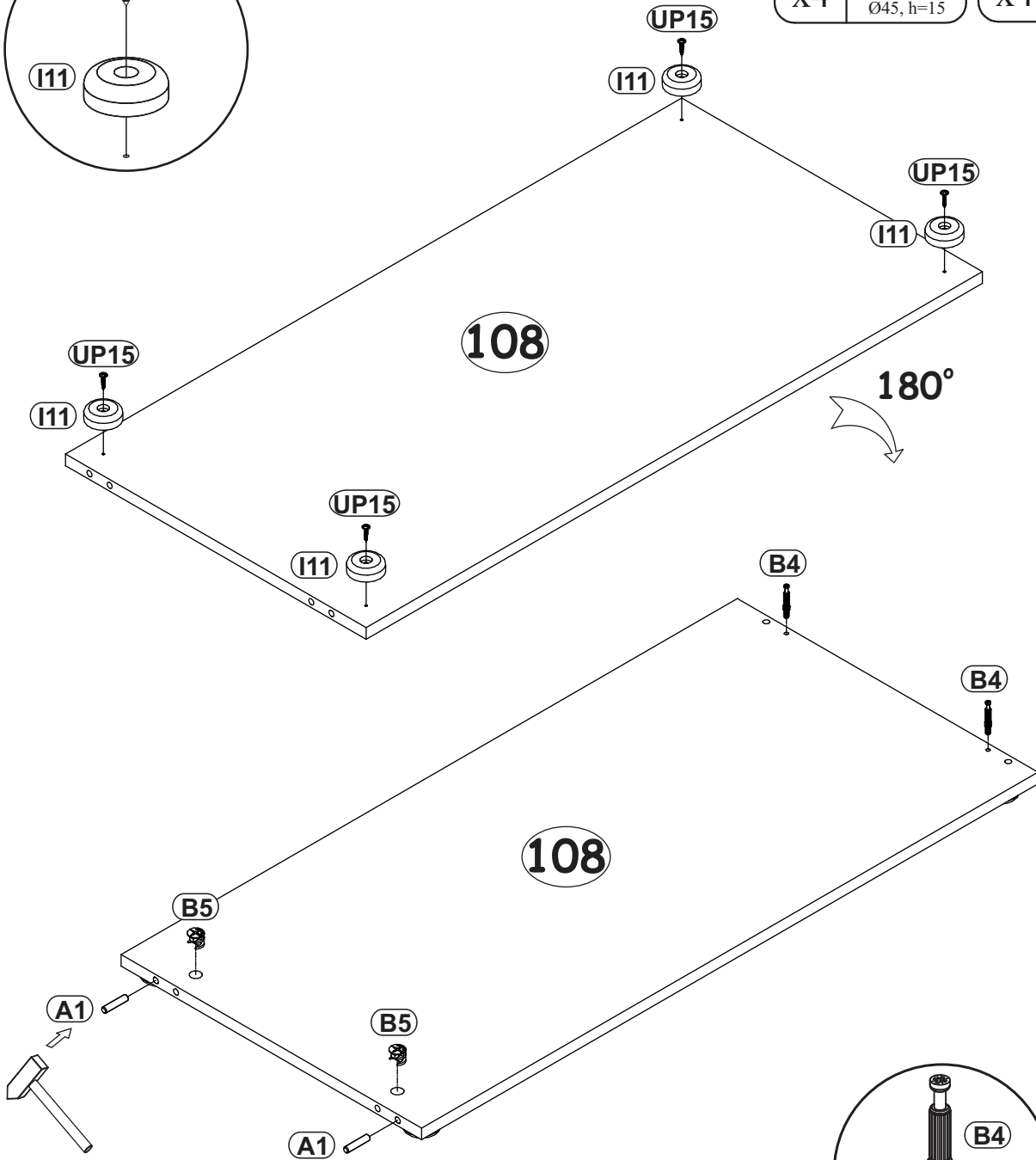
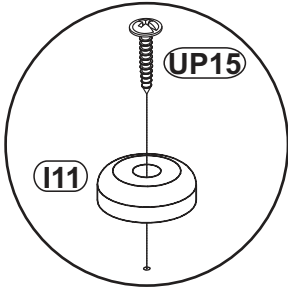
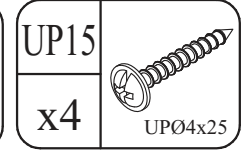
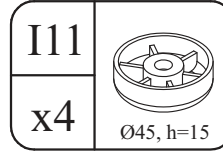
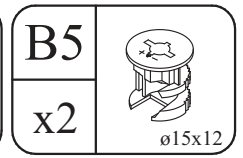
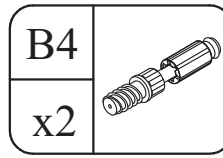
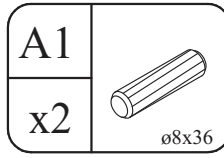
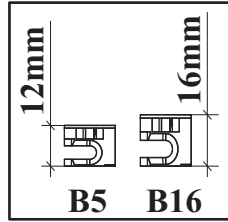
CROSS 28 \*\* CS RTV

A1 x42 ø8x36	B4 x38	B5 x26 ø15x12	B16 x12 ø15x16	G5 x38	T3/T5 x2
E21 x4 Ø35 H=0	E2 x4 H=0	D10 x18 USØ3,5x13	QU x1 L-400mm	D20 x4 ESØ6,3x9,5	UP6 x2 UPØ4x30
S1 x2	G16 x4	UP13 x44 UPØ3x16	B11 x4 Ø7x50	B15 x10 Ø7x60	G4 x14
I11 x6 Ø45, h=15	UP15 x6 UPØ4x25	KR1 x1	L1 x1	G2 x1	



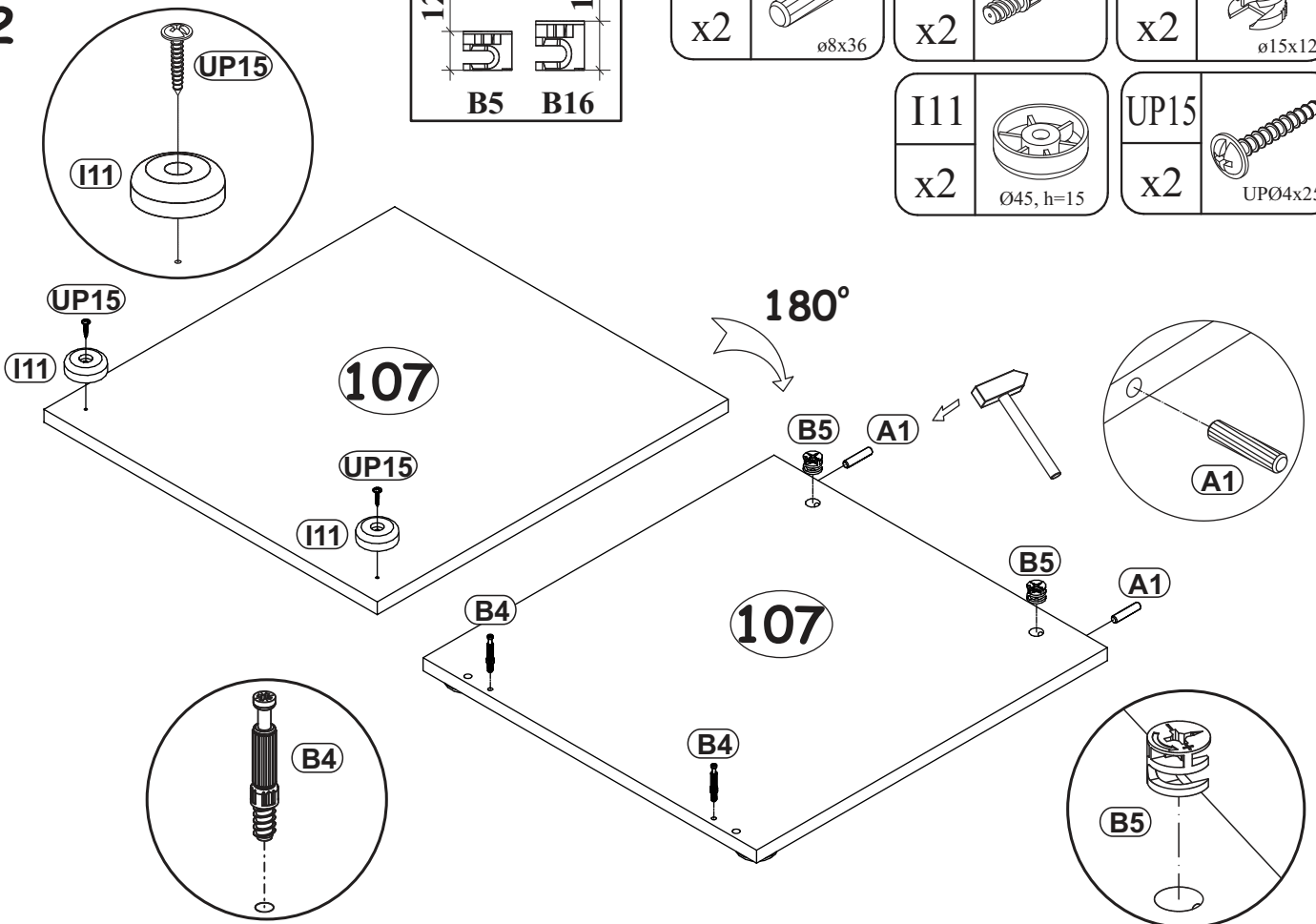
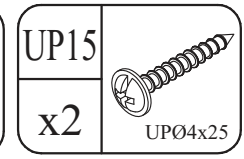
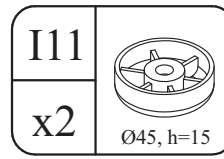
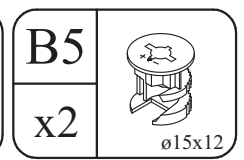
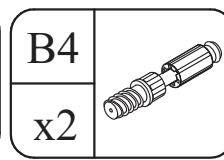
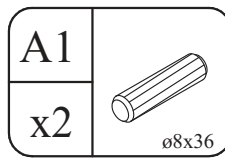
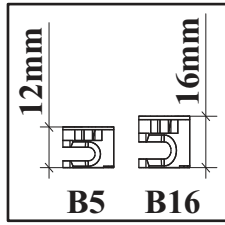
CROSS 28 \*\* CS RTV

1

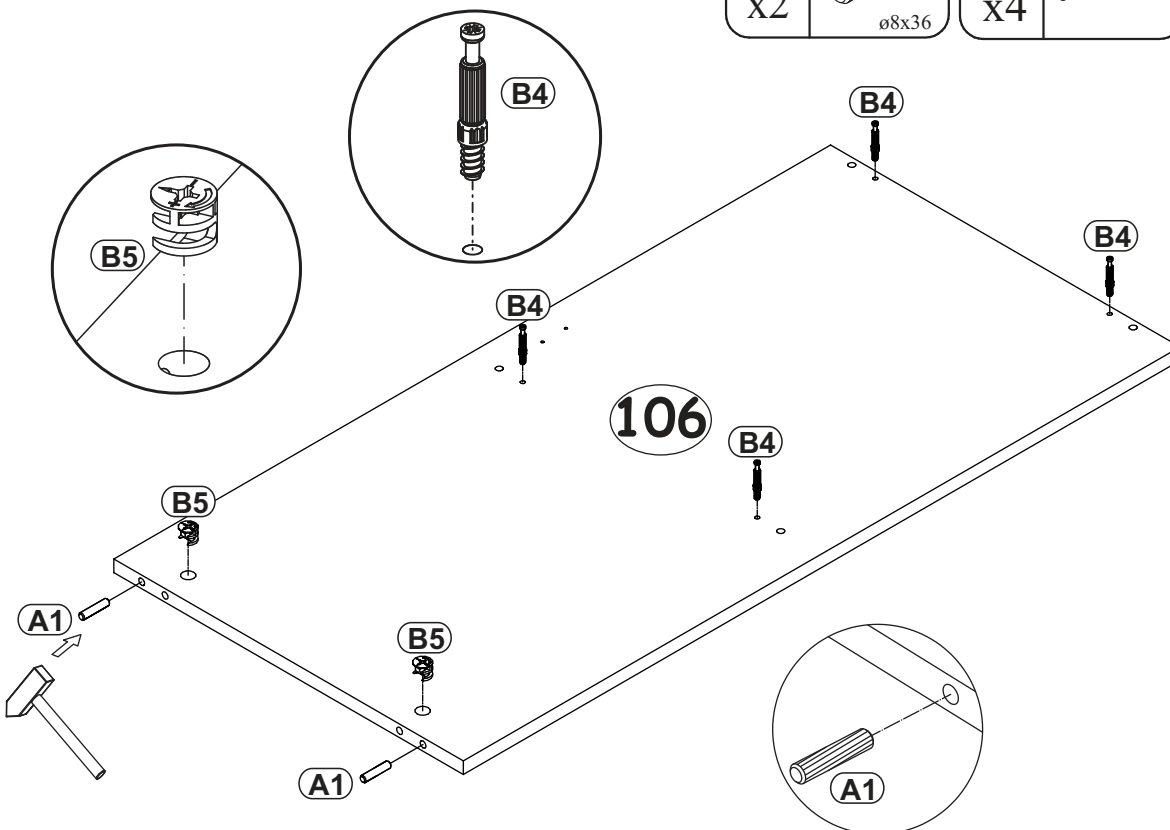
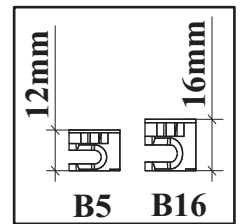
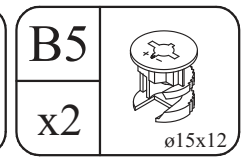
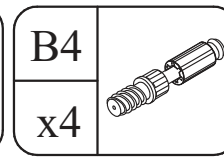
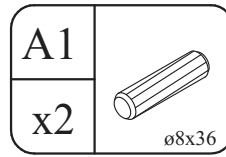


CROSS 28 \*\* CS RTV

2

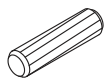


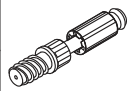
3

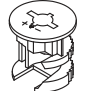


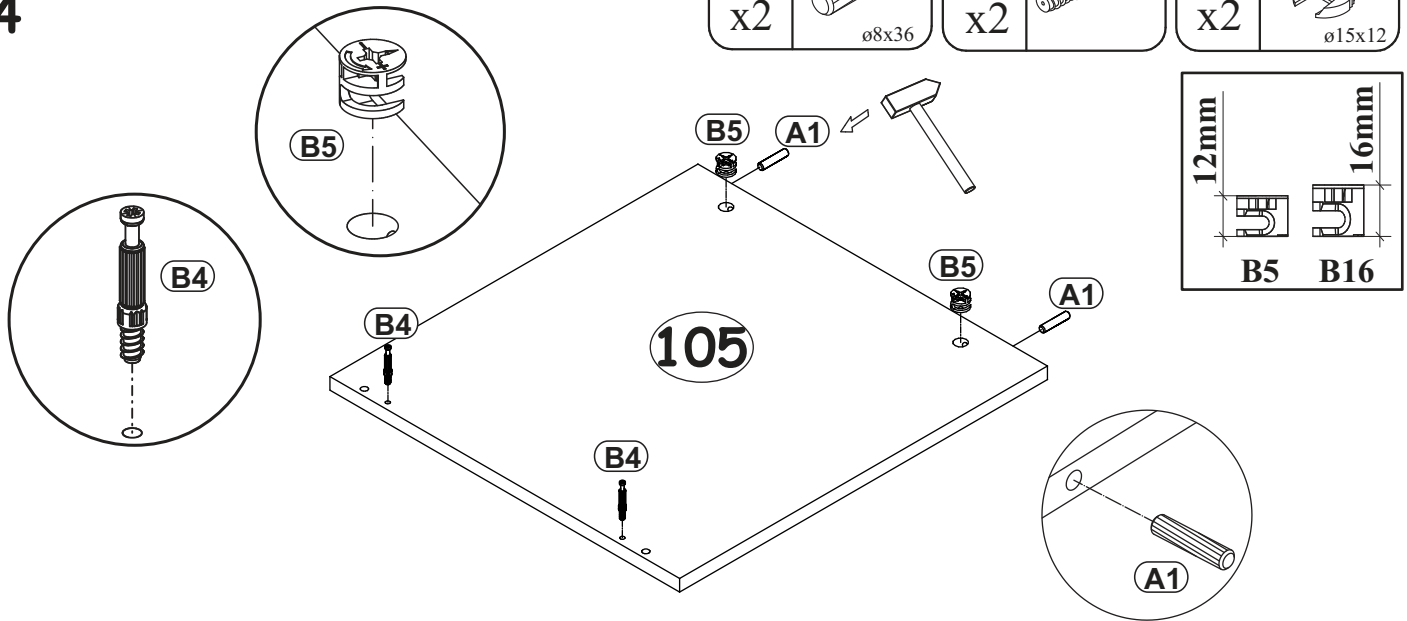
CROSS 28 \*\* CS RTV

4

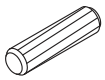
A1	
x2	ø8x36

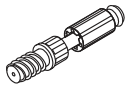
B4	
x2	

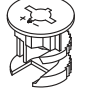
B5	
x2	ø15x12

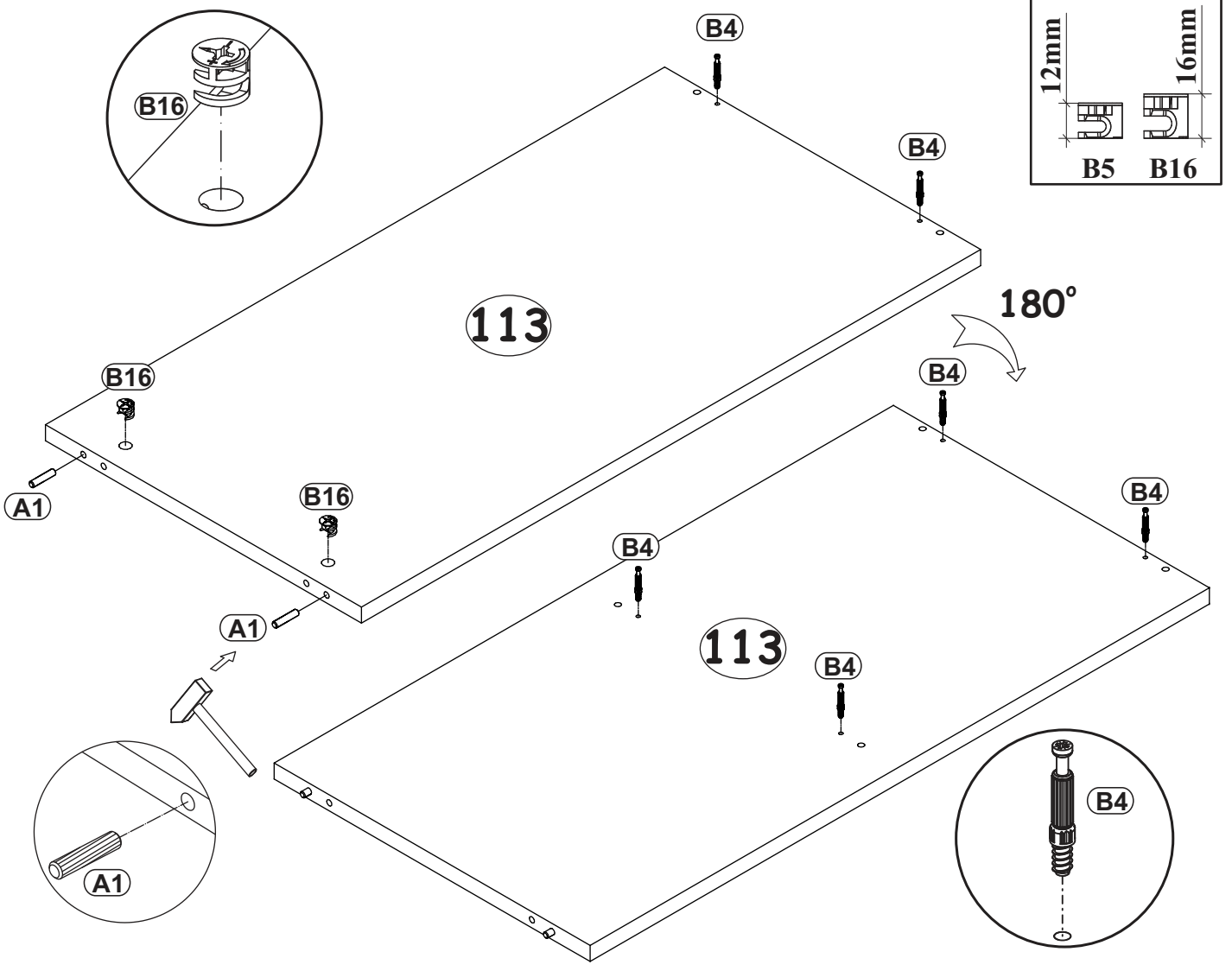


5

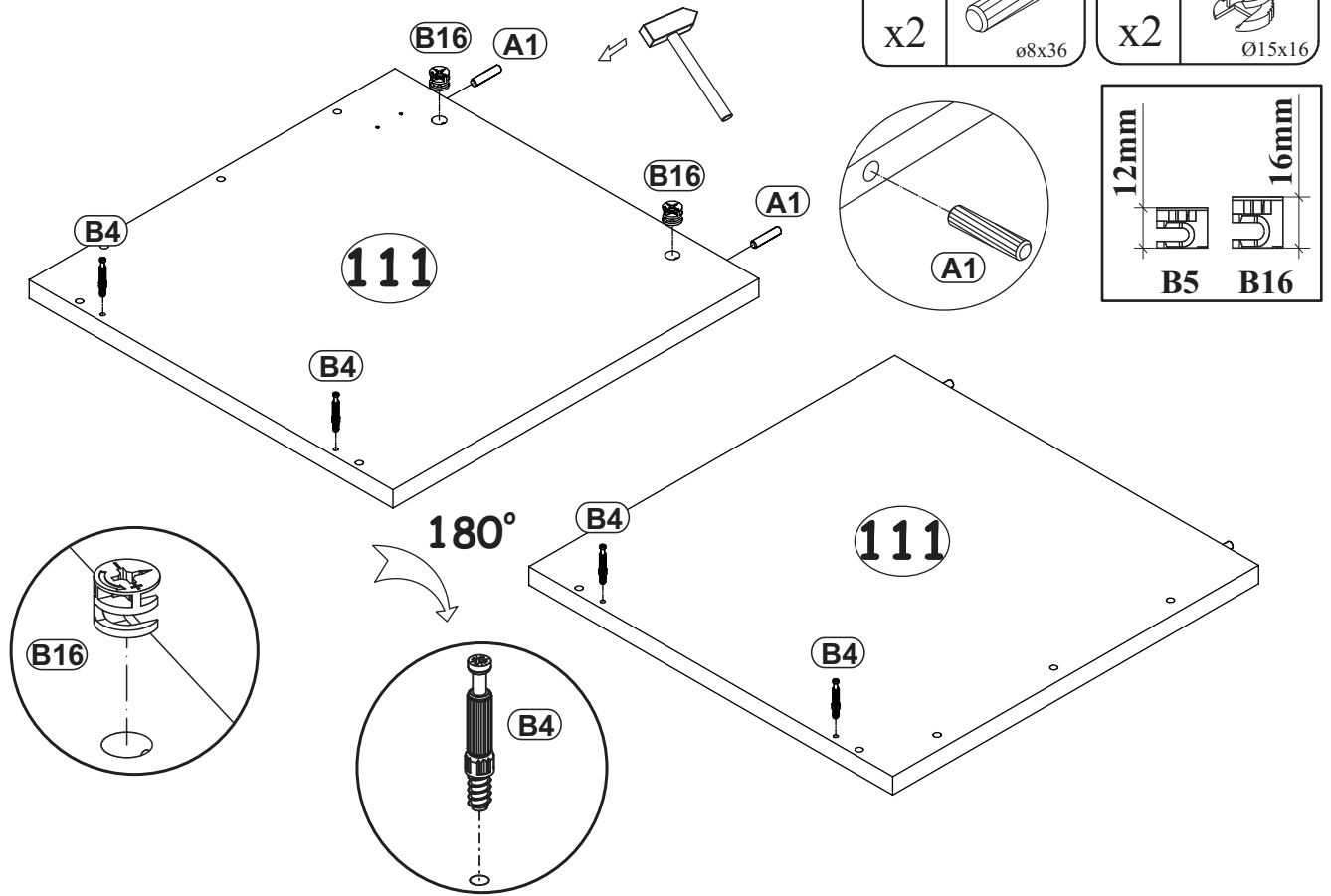
A1	
x2	ø8x36

B4	
x6	

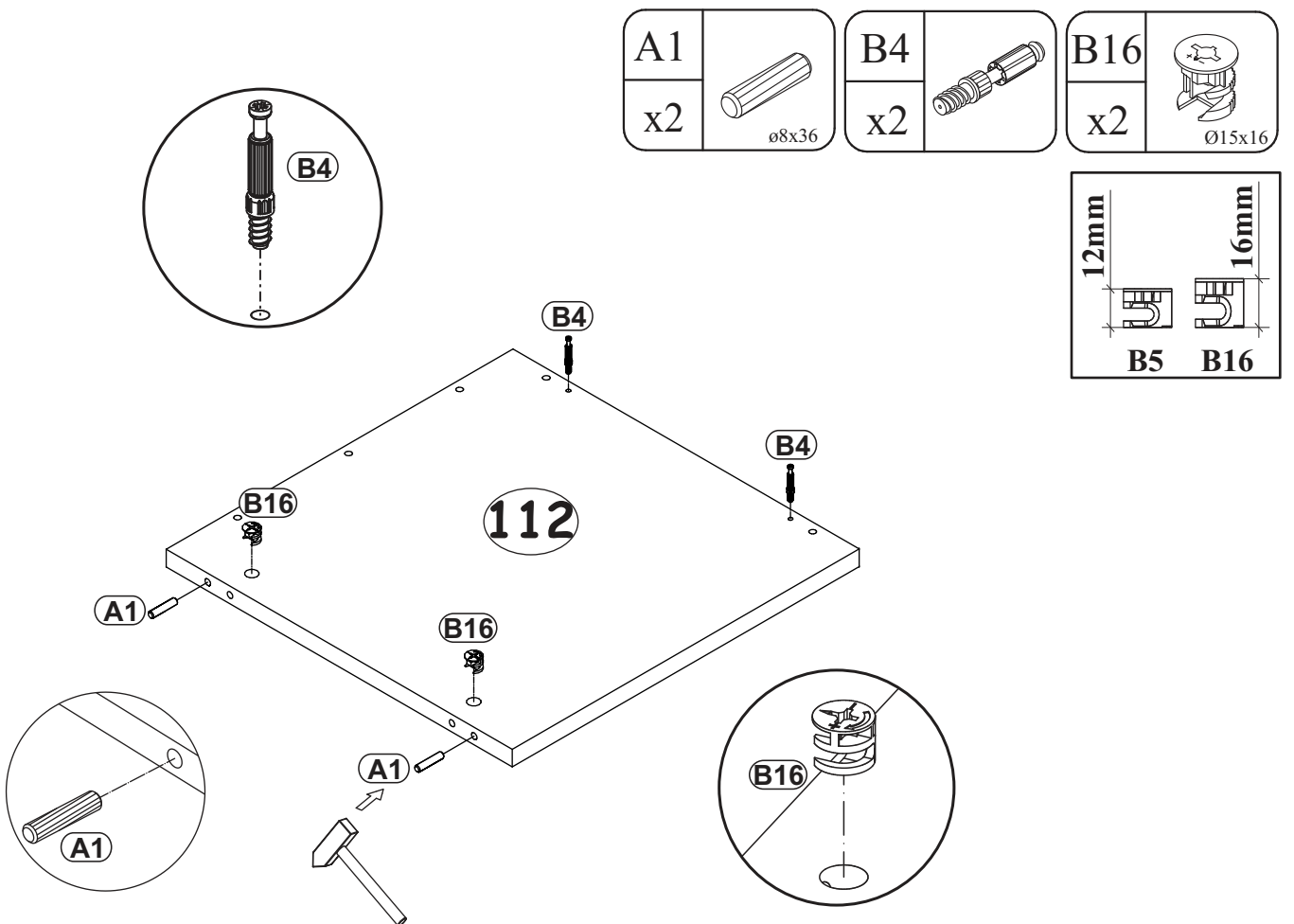
B16	
x2	Ø15x16



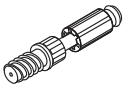
6

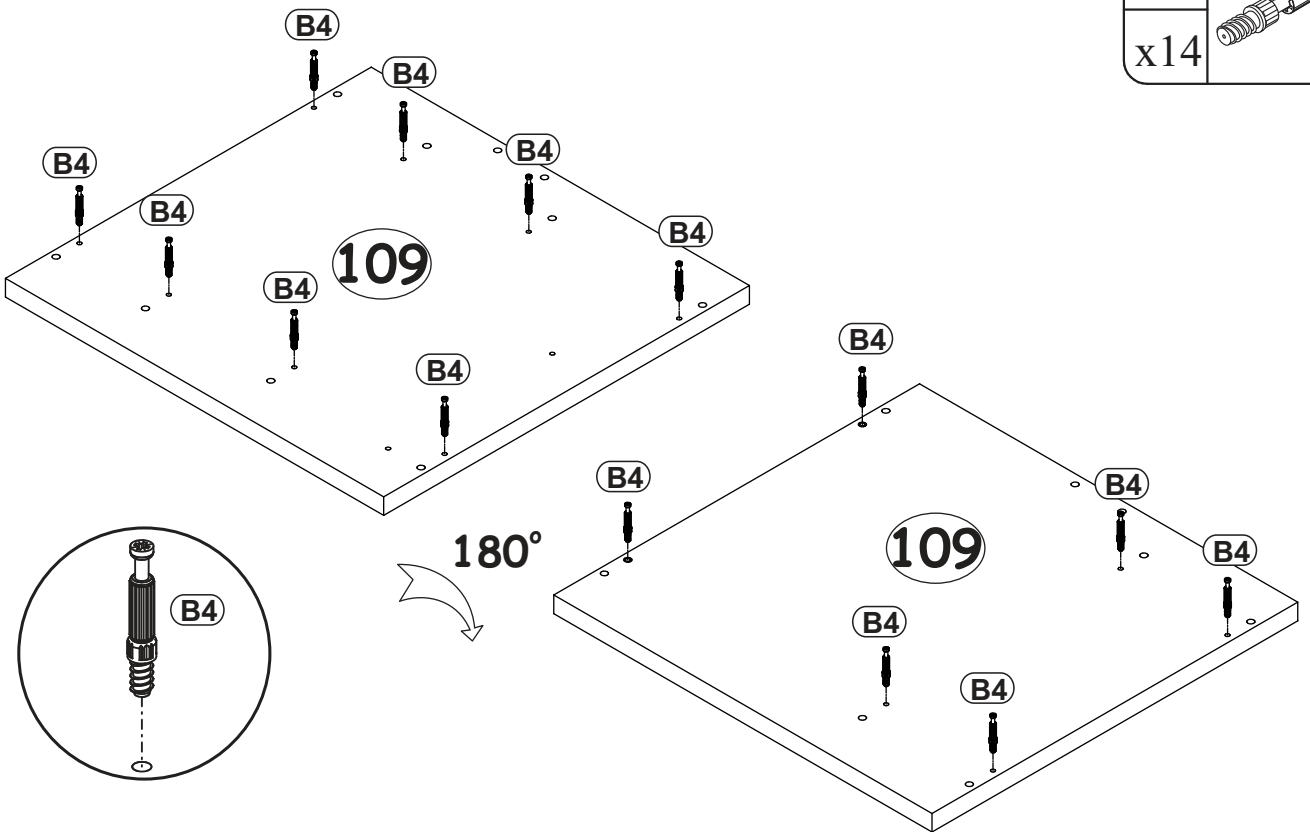


7

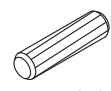
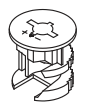


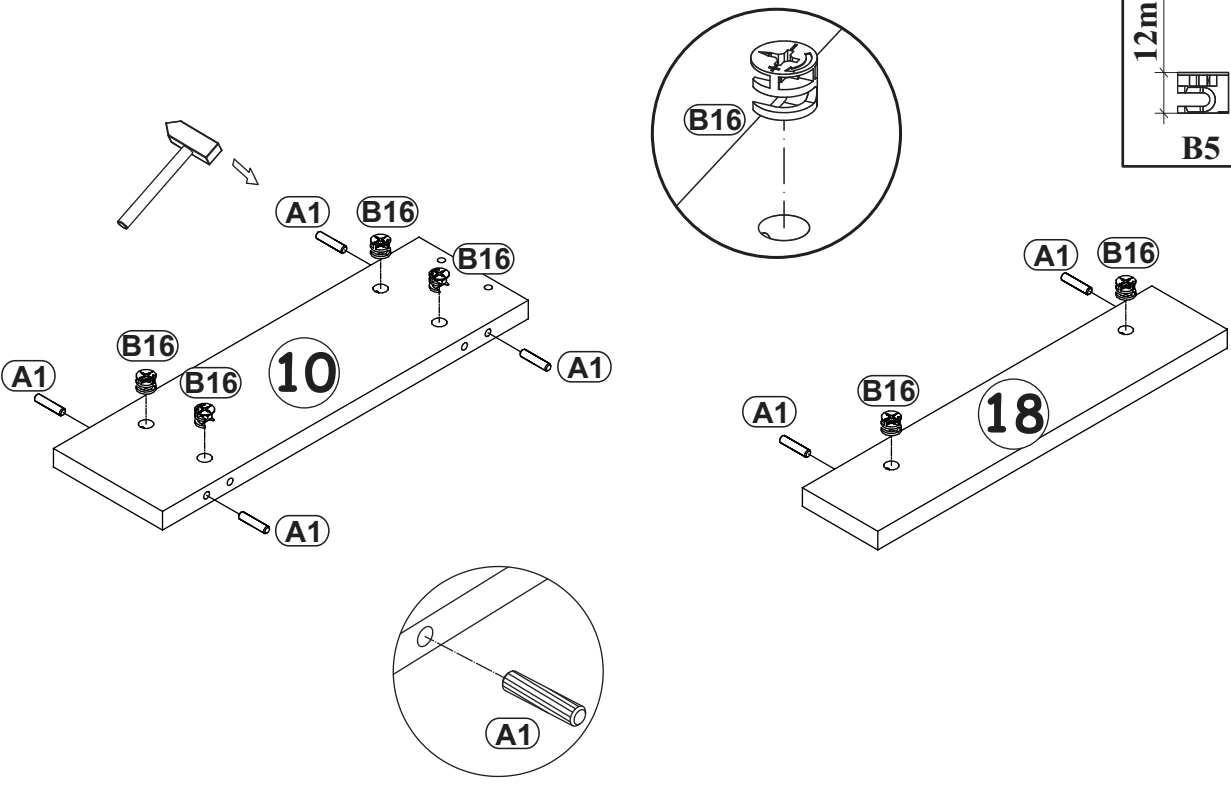
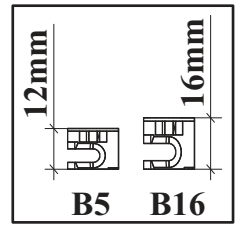
8

B4	
x14	



9

A1		B16	
x6	ø8x36	x6	Ø15x16



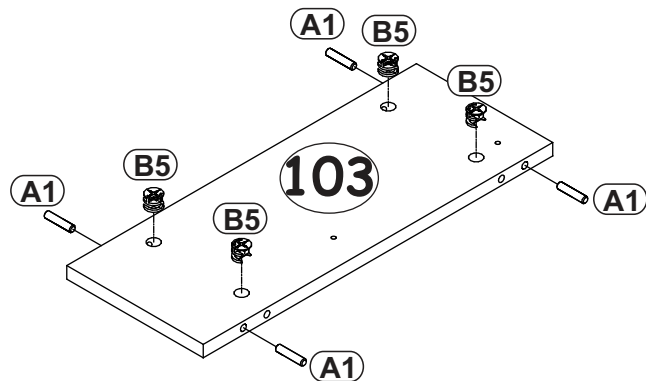
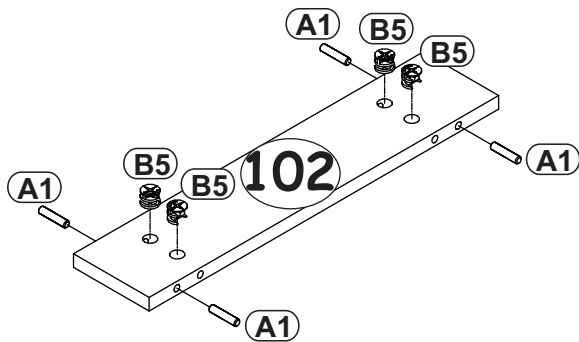
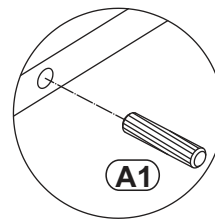
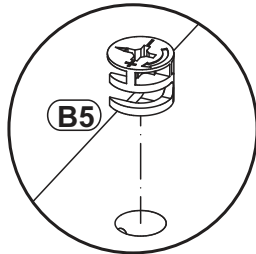
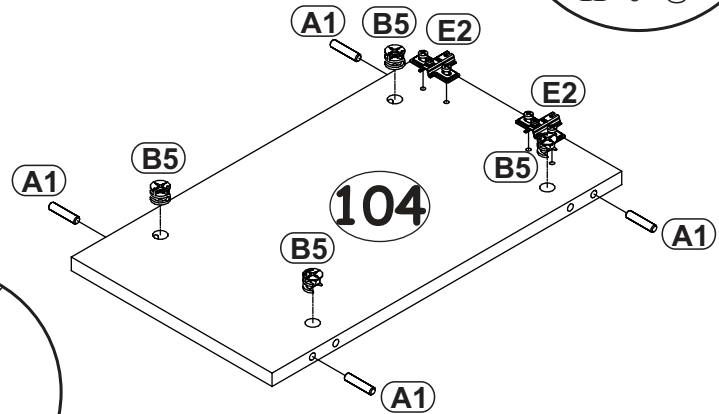
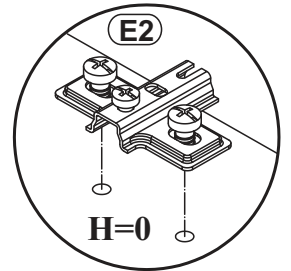
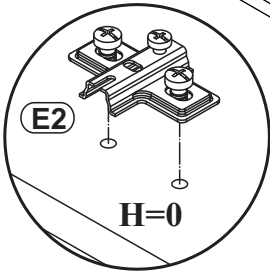
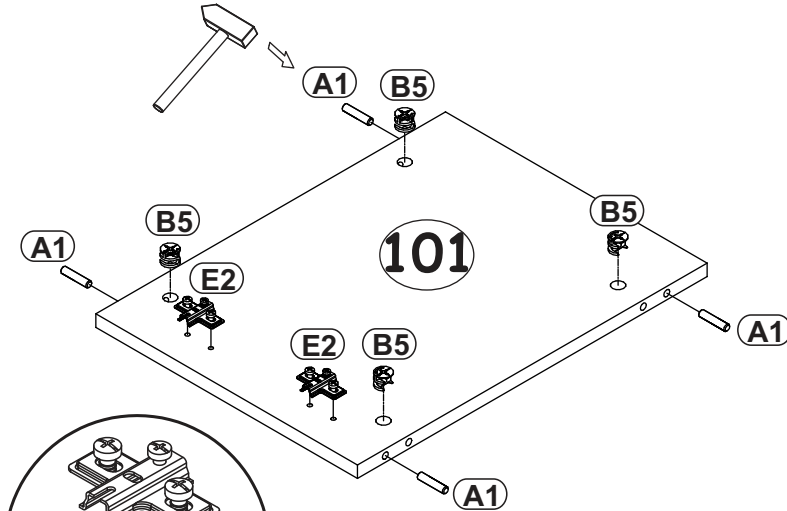
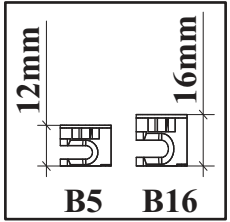


10

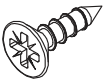
E2	
x4	H=0

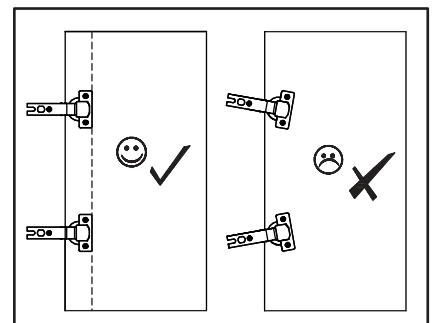
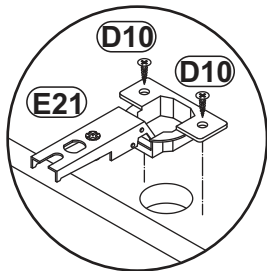
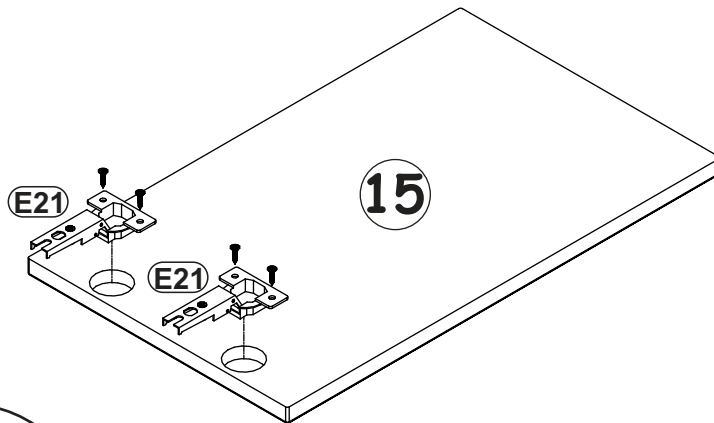
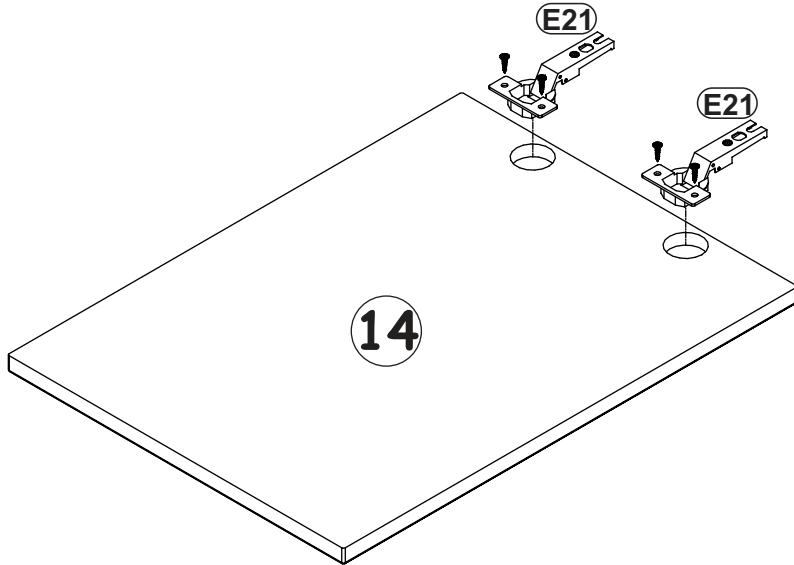
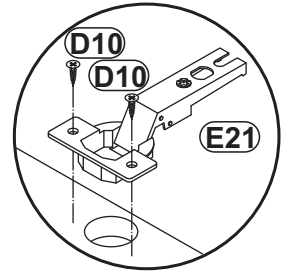
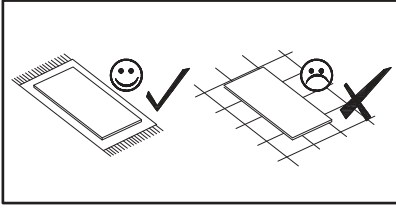
A1	
x16	ø8x36

B5	
x16	ø15x12

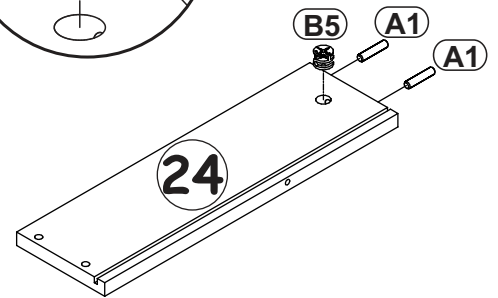
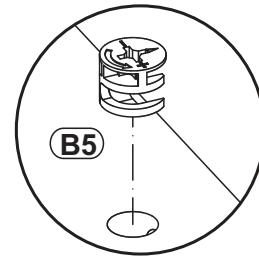
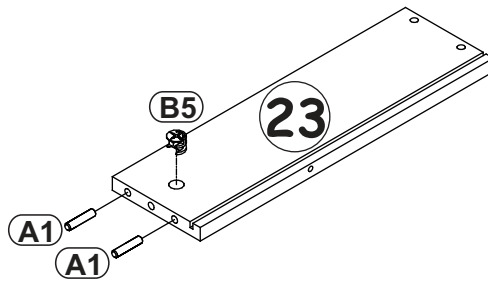
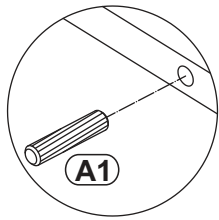
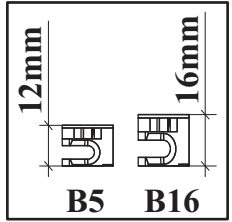
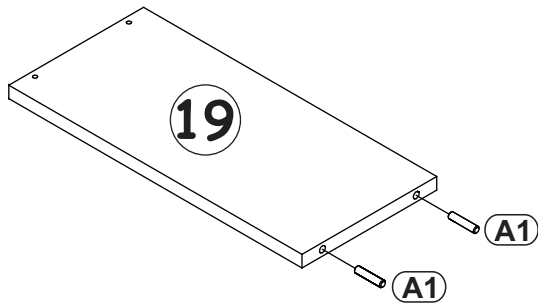
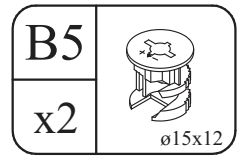
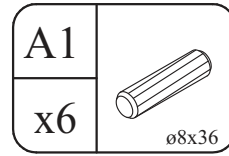


11

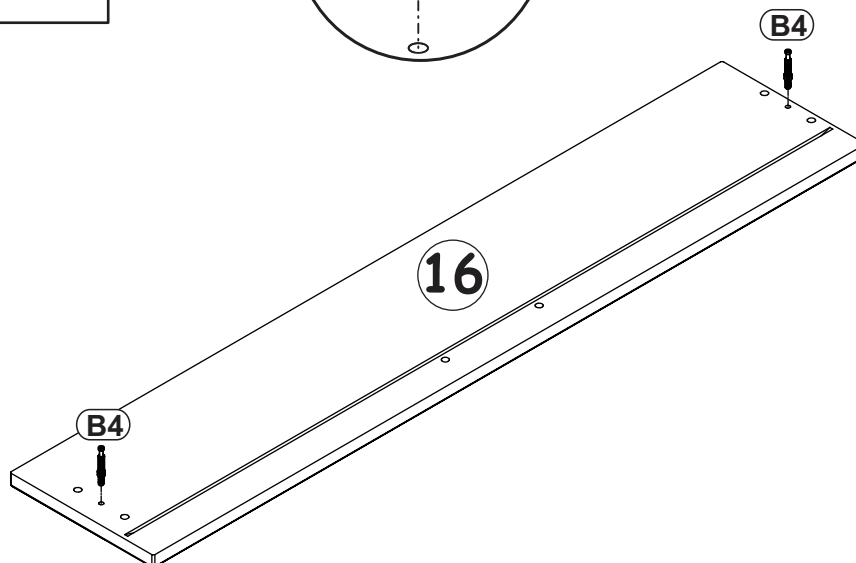
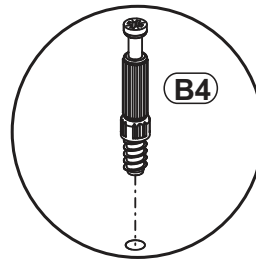
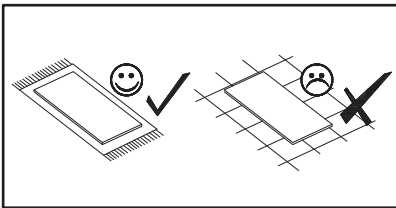
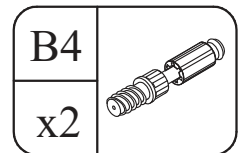
E21	Ø35	D10	 USØ3,5x13
x4	H=0	x8	



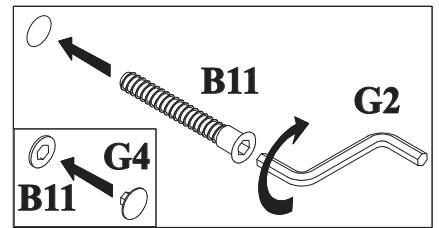
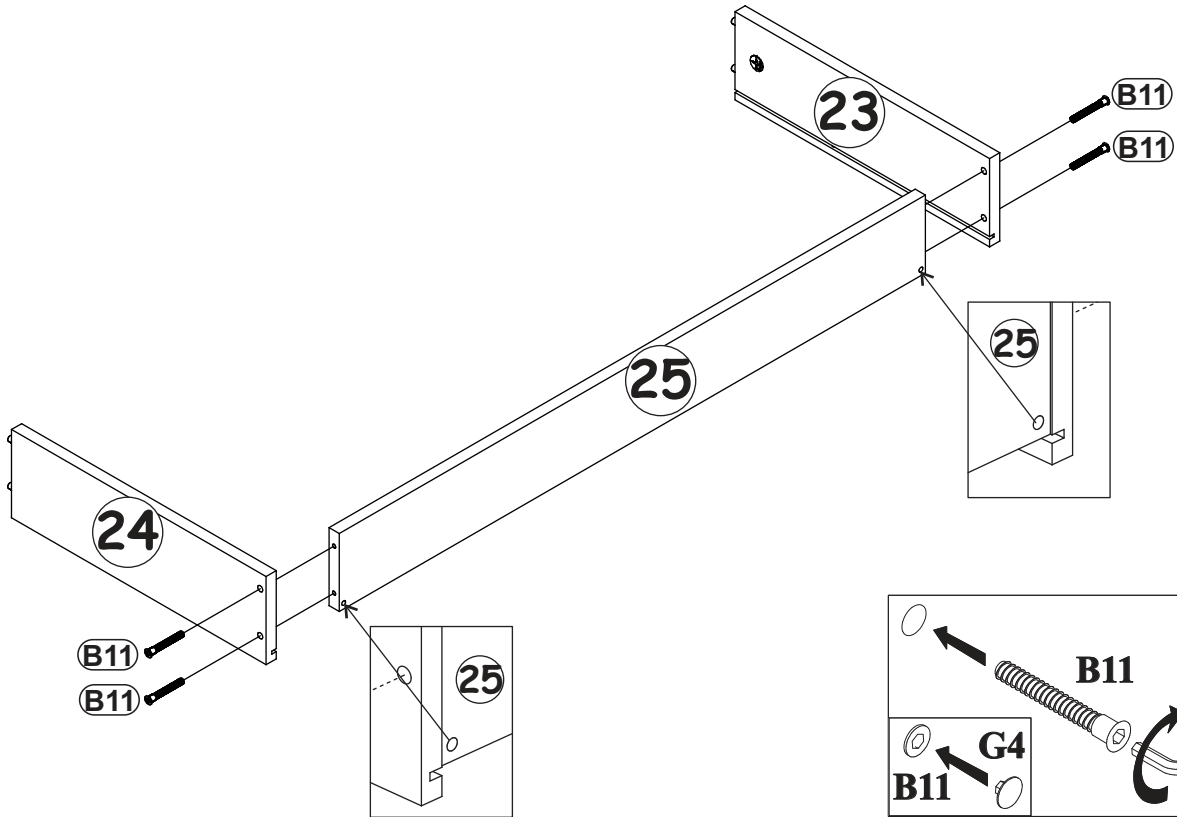
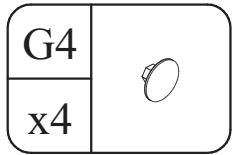
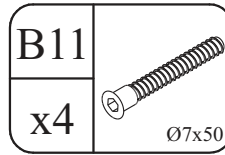
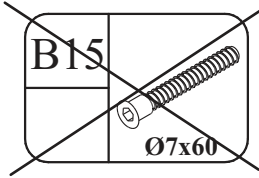
12



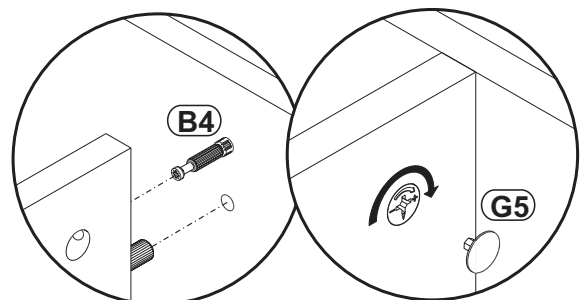
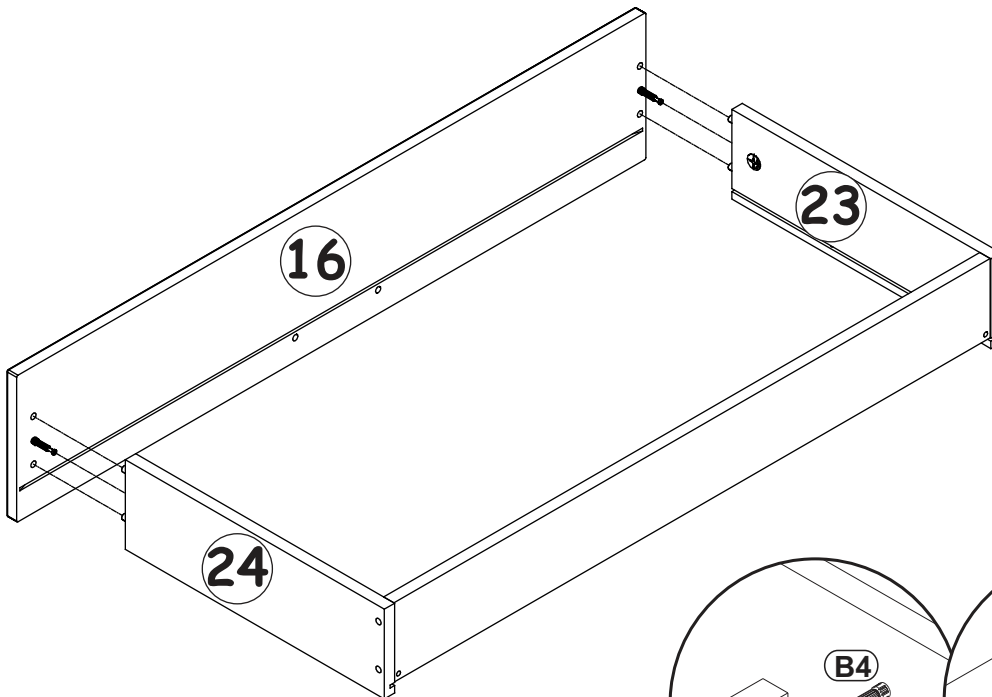
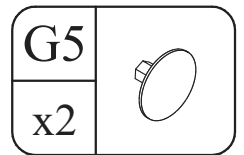
13



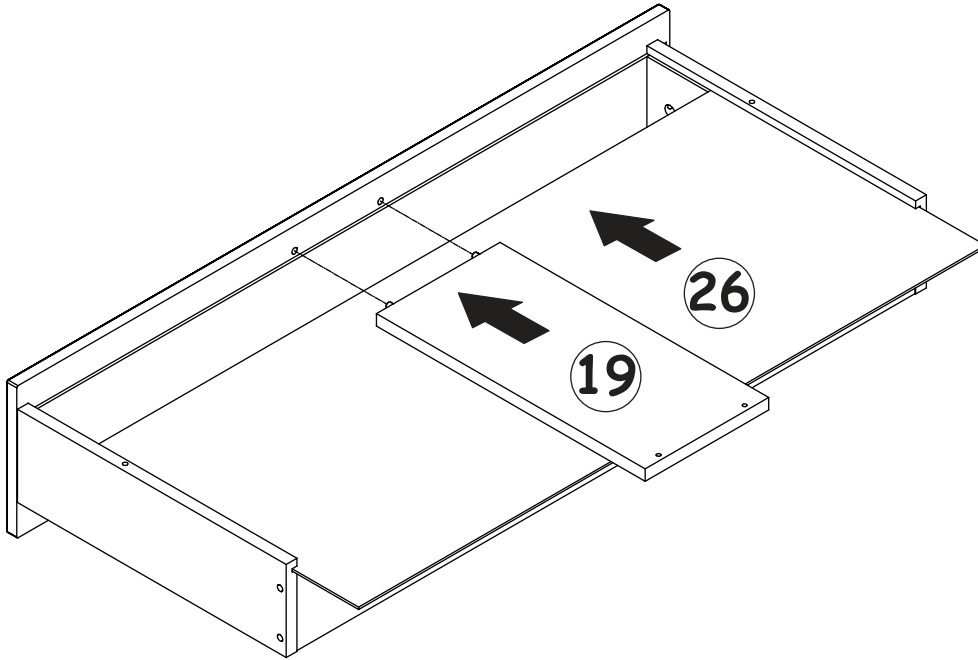
14



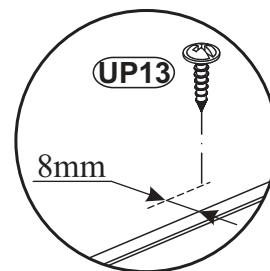
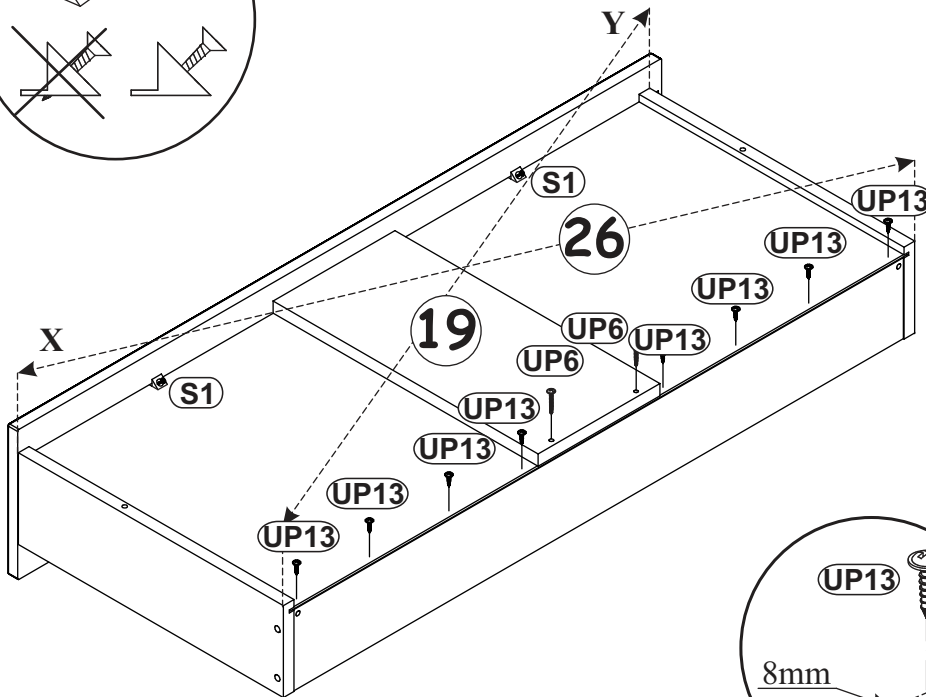
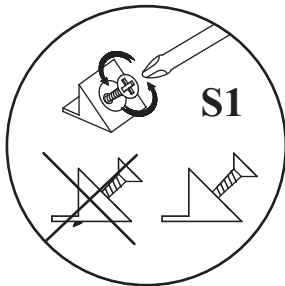
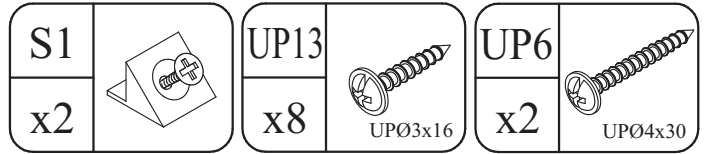
15



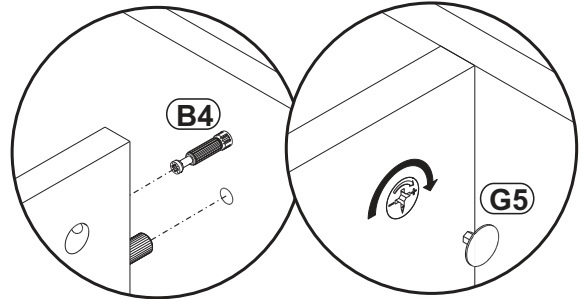
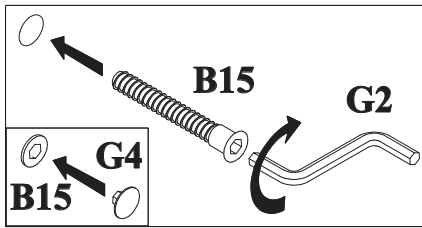
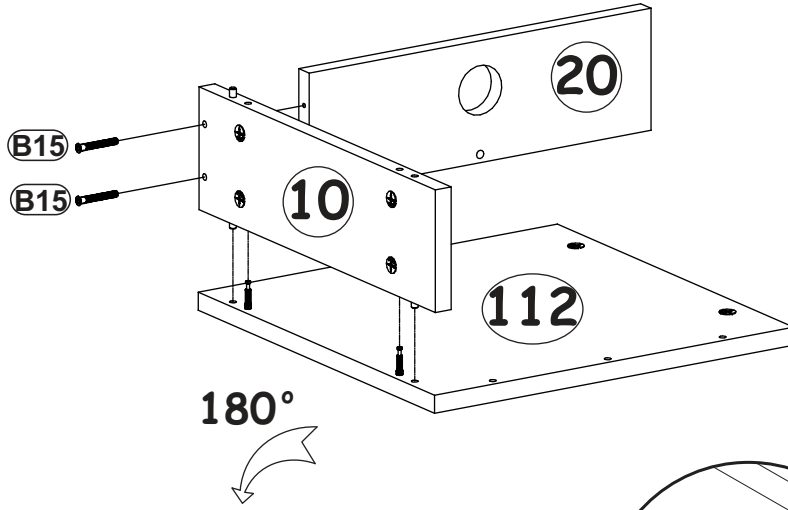
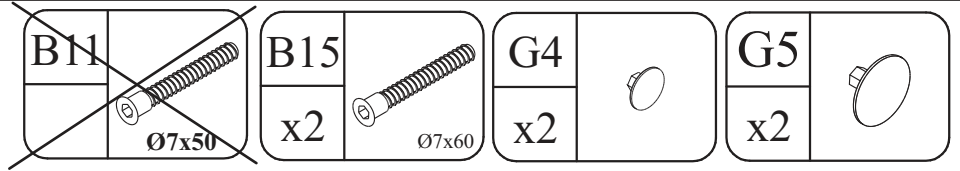
16



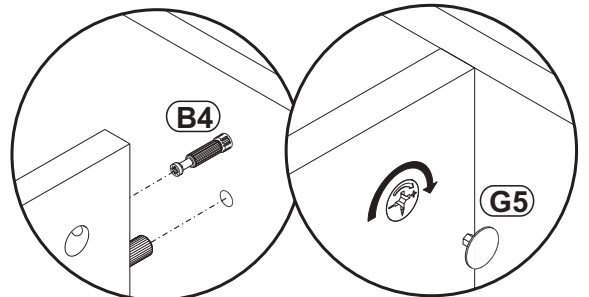
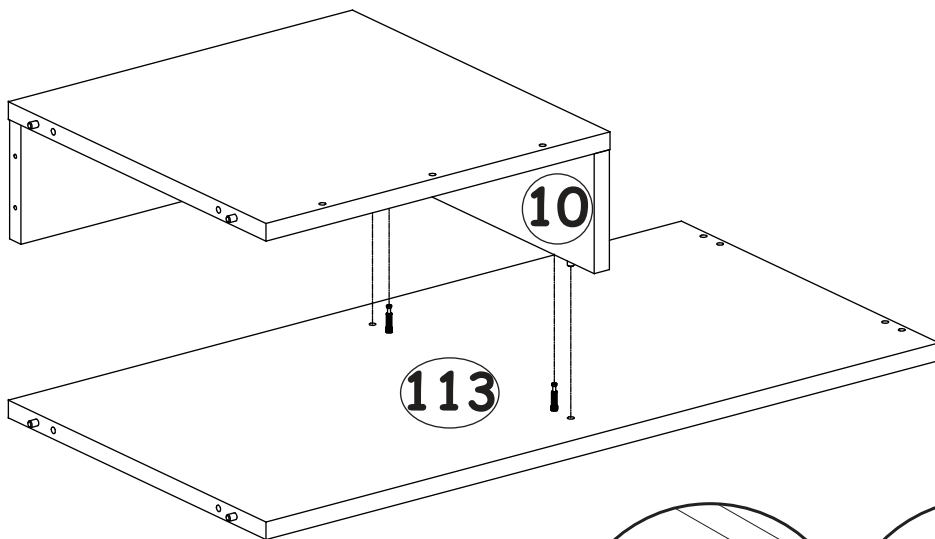
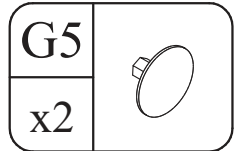
17




18

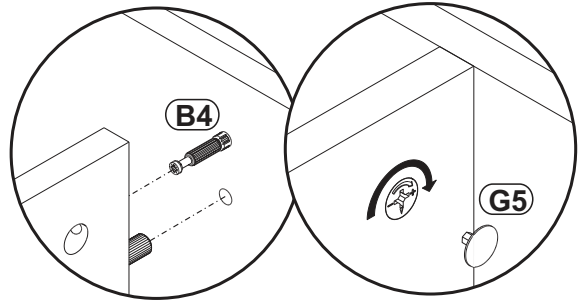
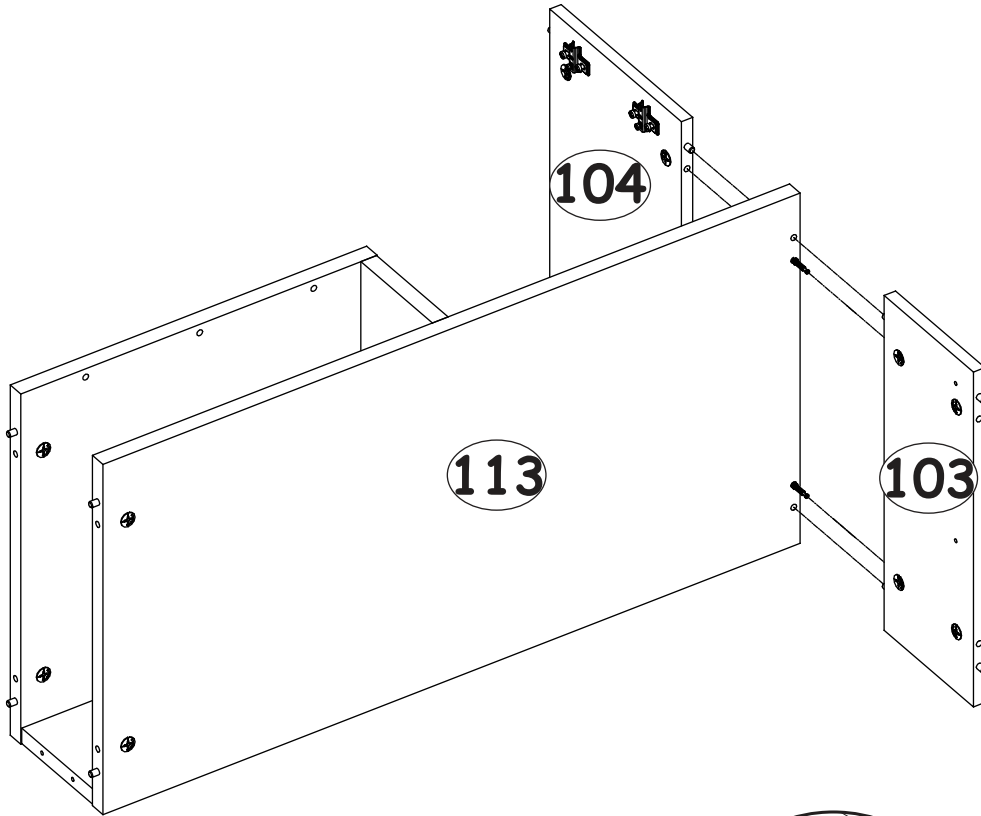


19




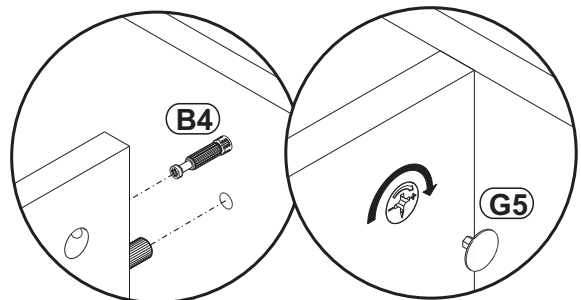
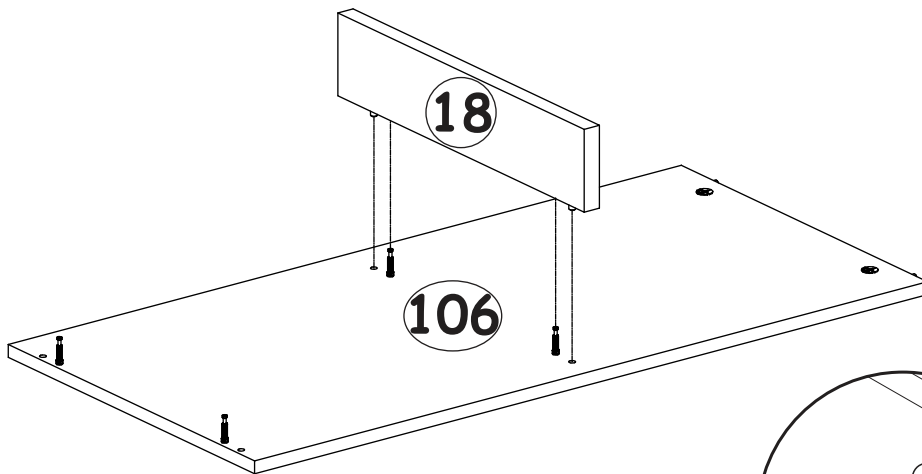
20

G5	
x4	

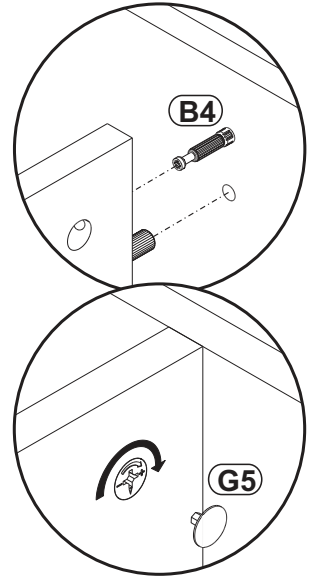
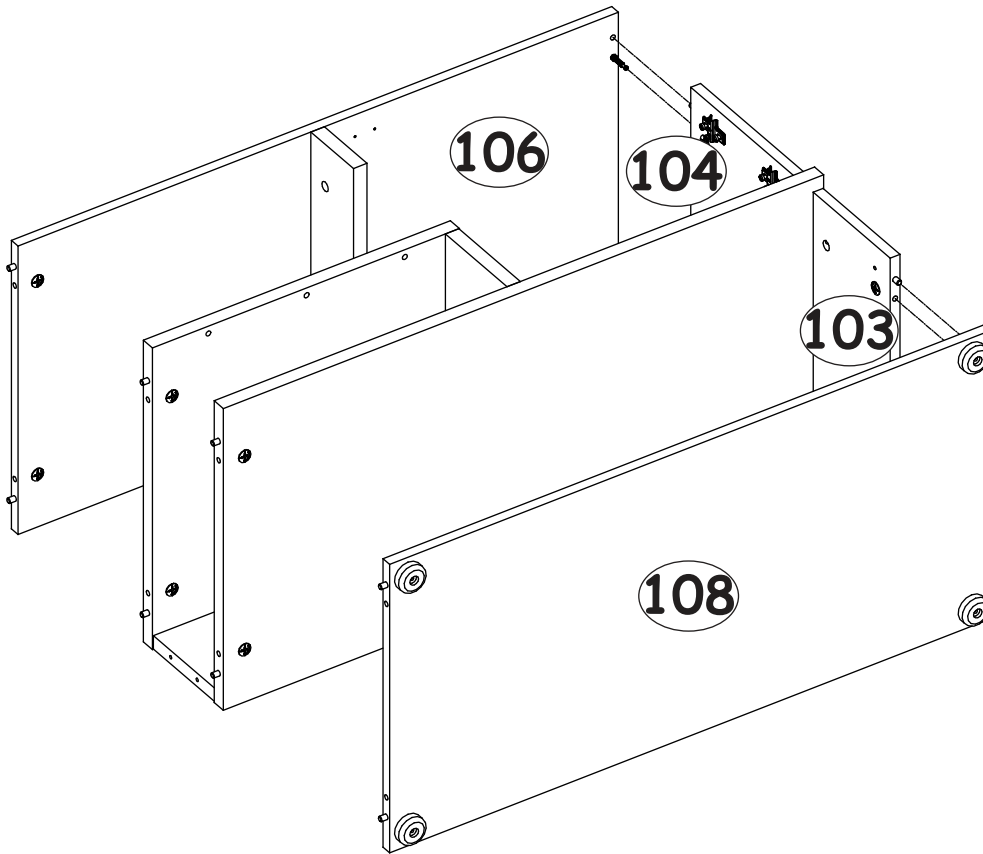
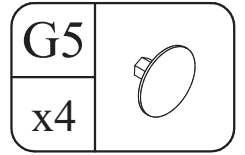


21

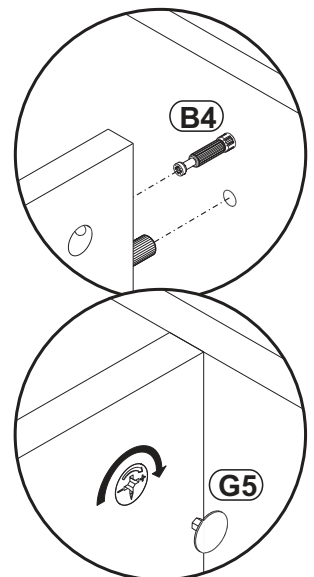
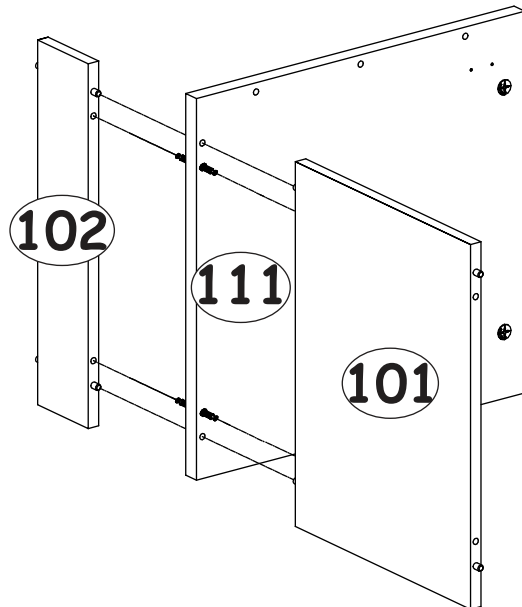
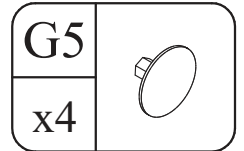
G5	
x2	




22



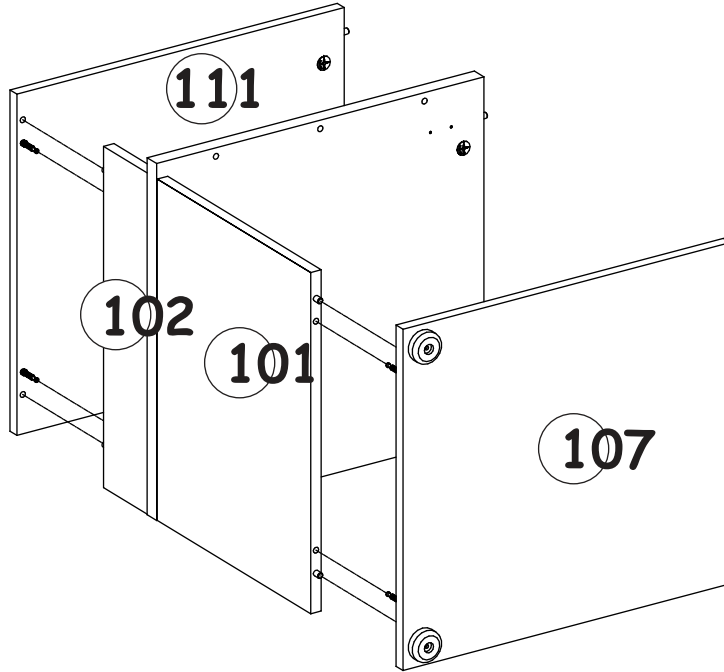
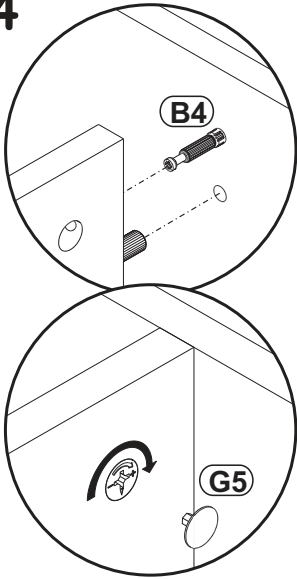
23









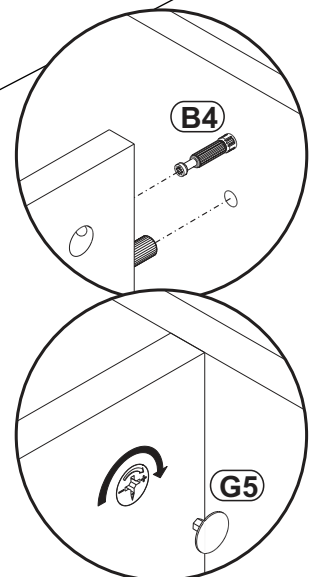
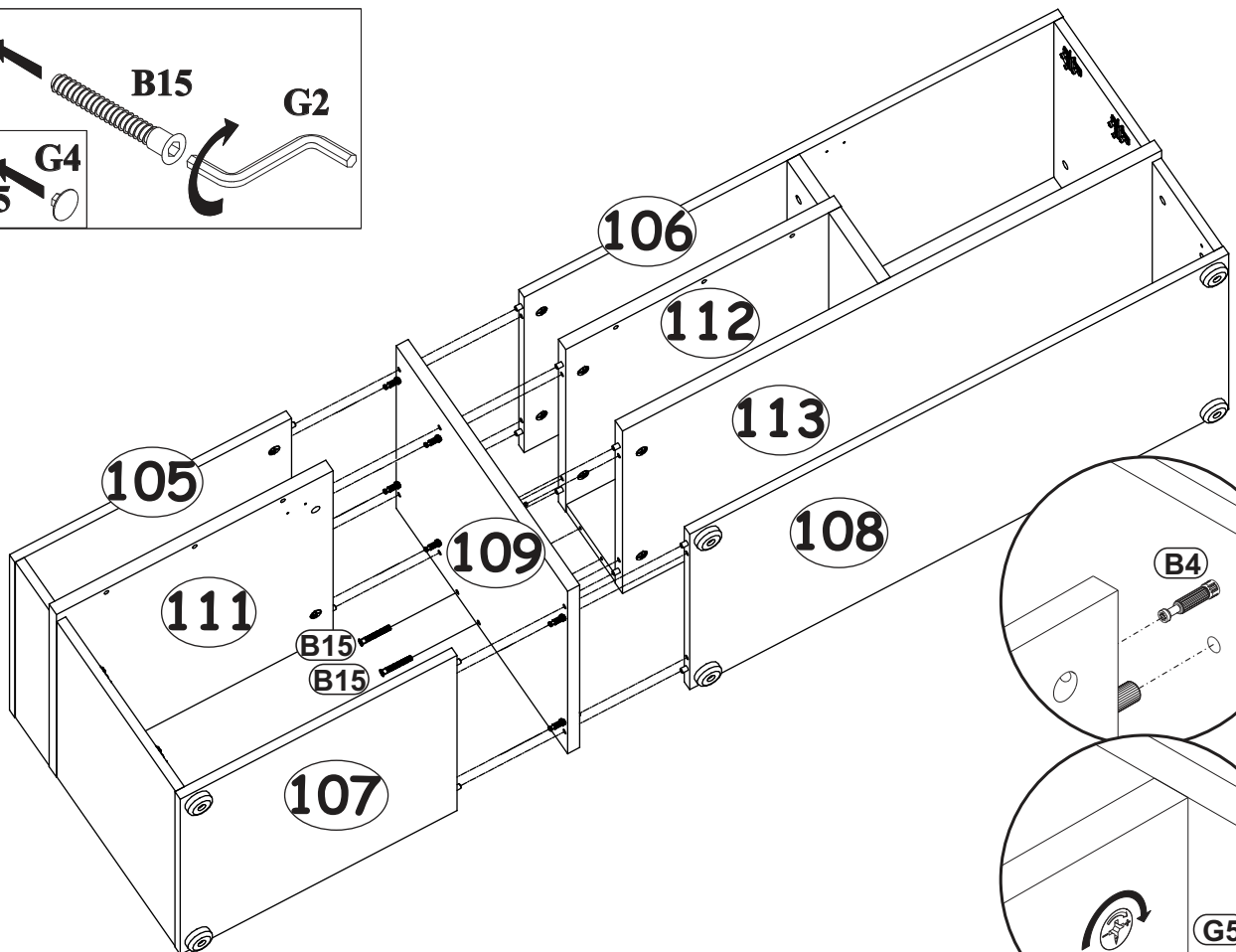
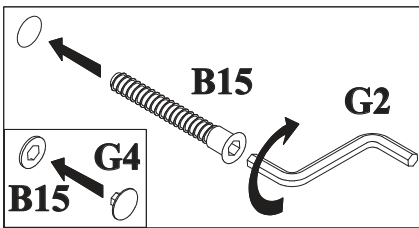
G5	
x4	

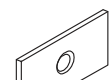
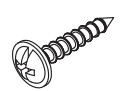
24



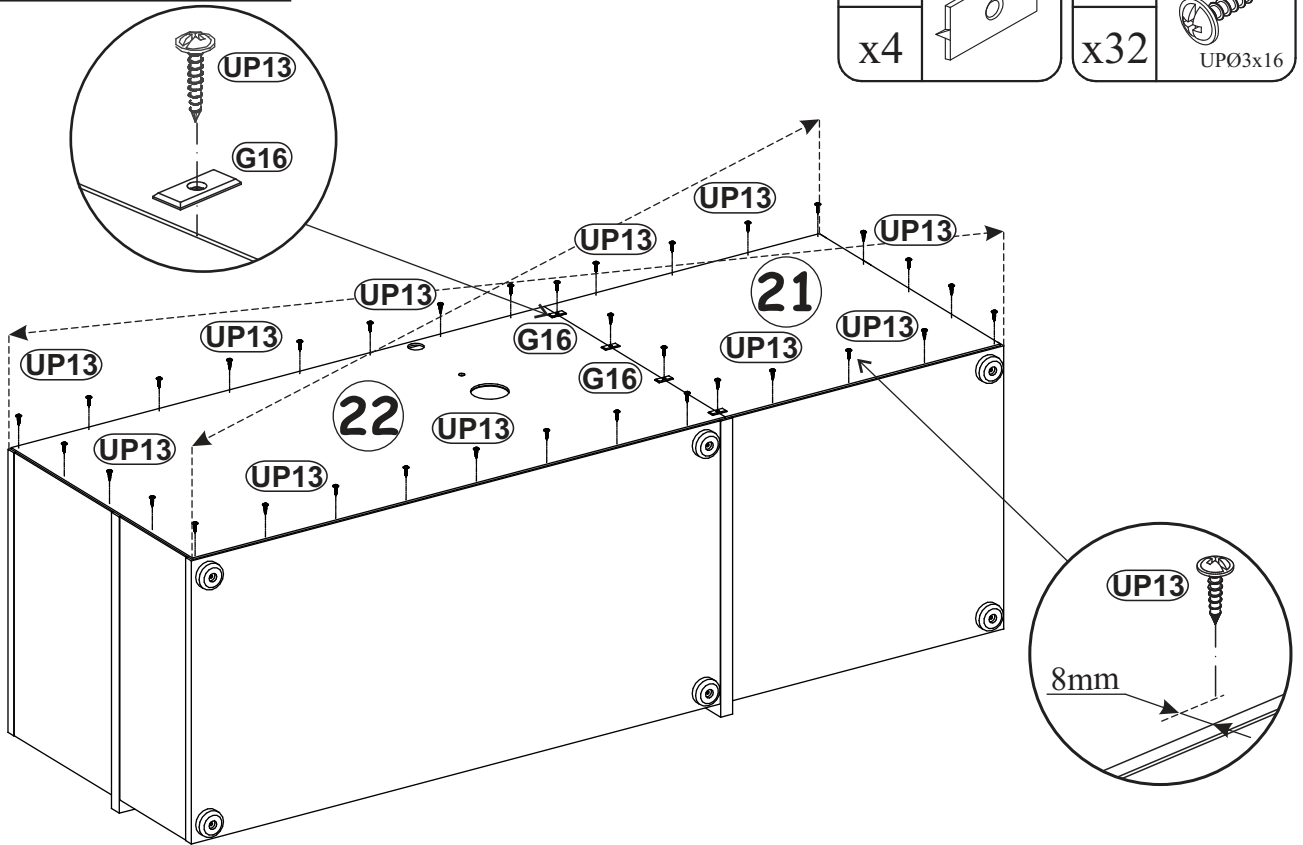
25

<del>B11</del>	<del></del>	B15		G4		G5	
	<del>Ø7x50</del>	x2	Ø7x60	x2		x14	

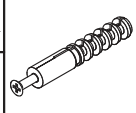
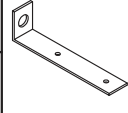



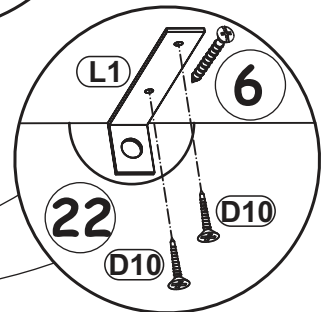
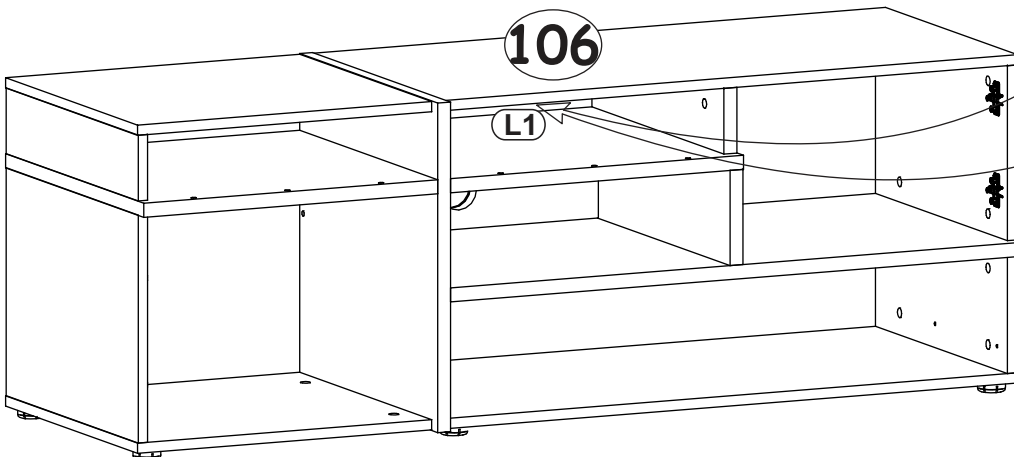
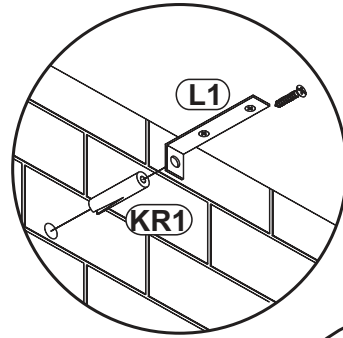
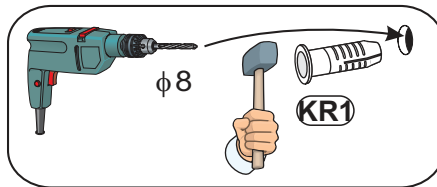
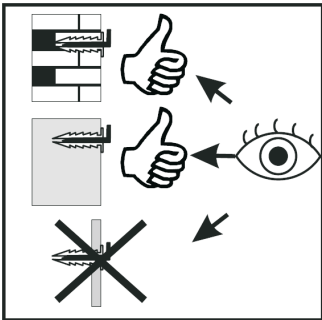
G16		UP13	
x4		x32	UPØ3x16

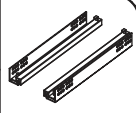
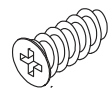




26

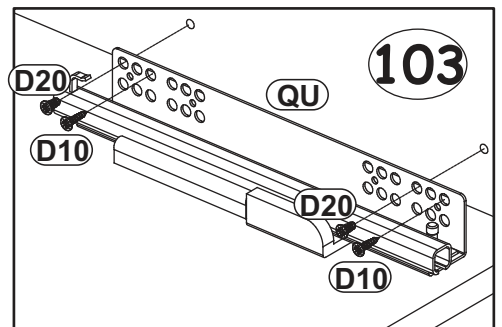
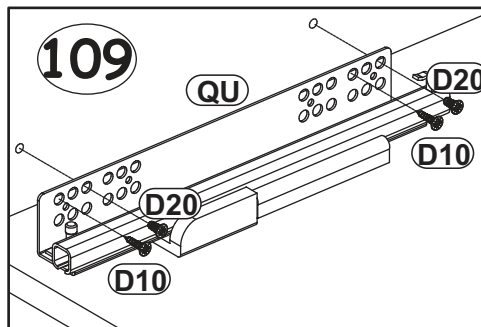
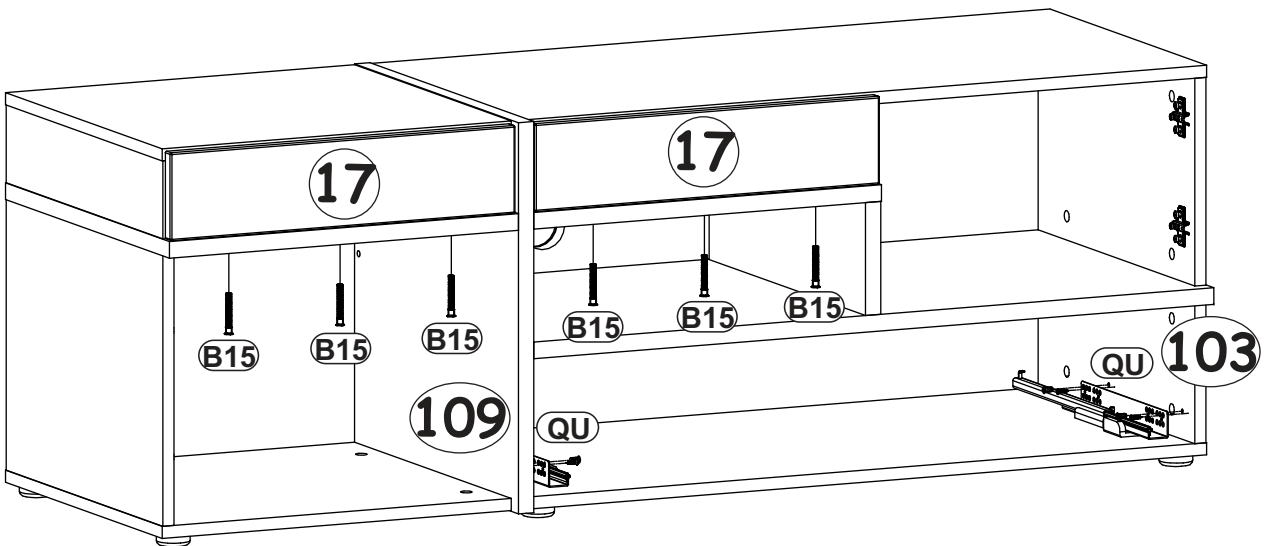
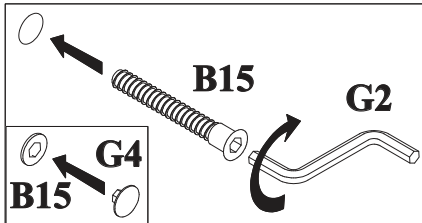


27

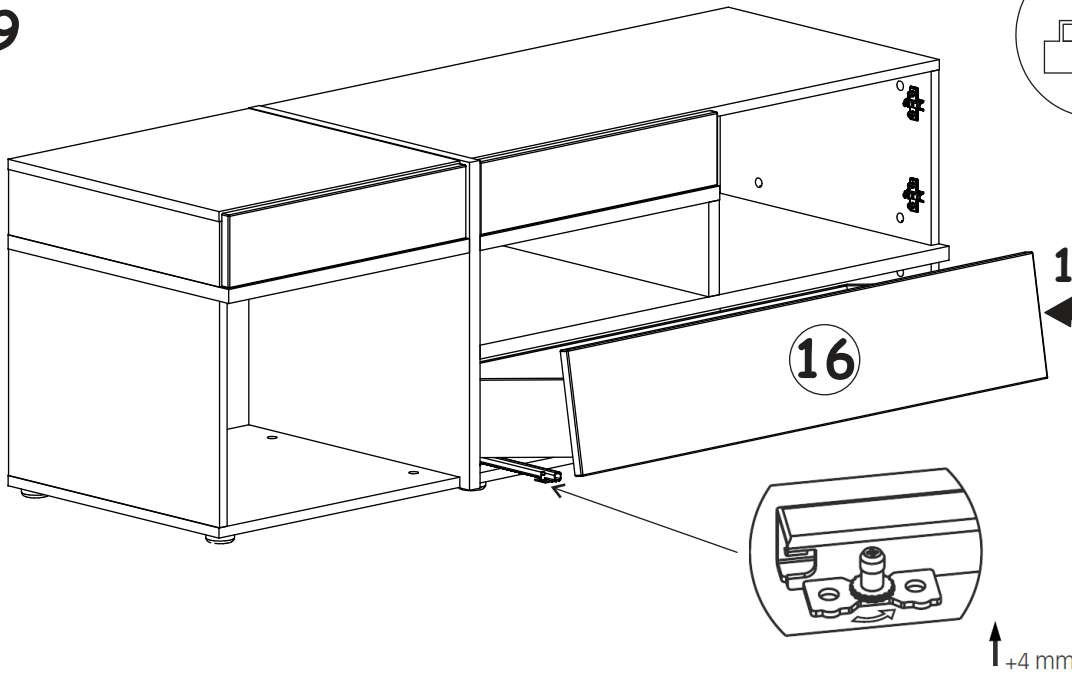
KR1		L1		D10	
x1		x1		x2	USØ3,5x13



QU x1	 L-400mm	D20 x4	 ESØ6,3x9,5	D10 x4	 USØ3,5x13
<del>B11</del>	<del> Ø7x50</del>	B15 x6	 Ø7x60	G4 x6	



29



30

