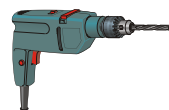
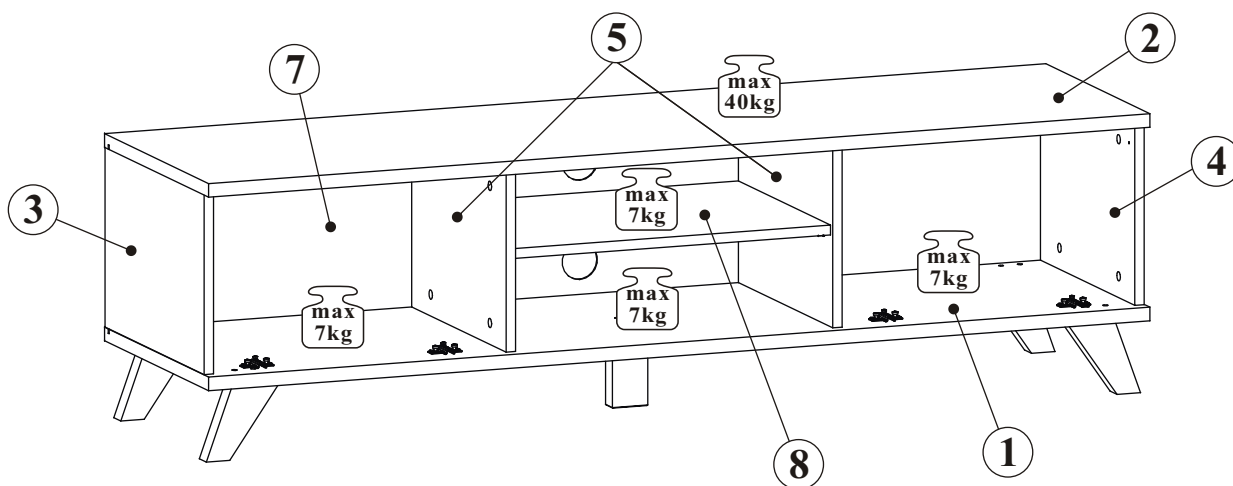
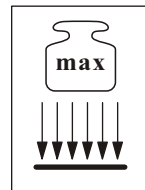
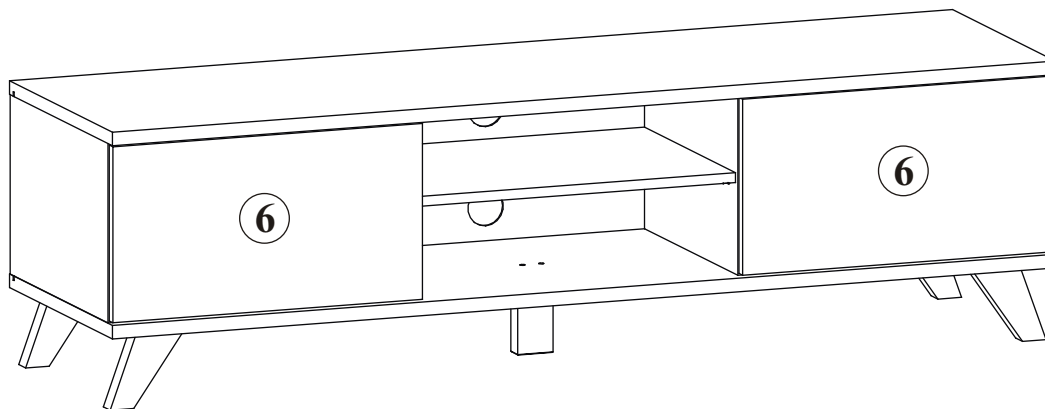


BOGOTA 20_BA RTV

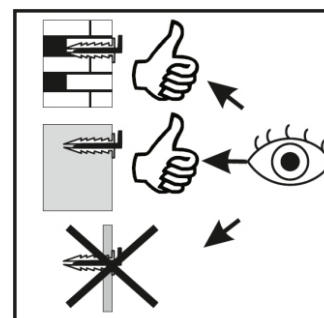
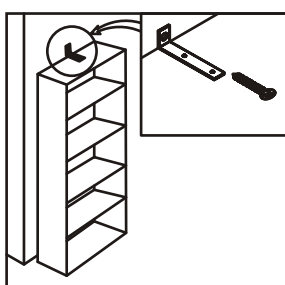
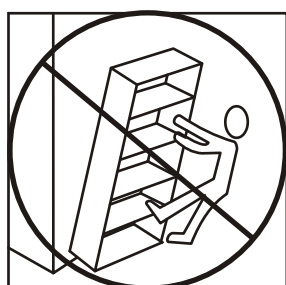
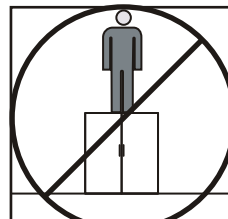
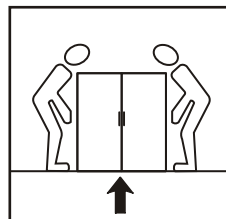
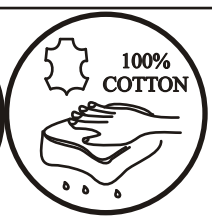
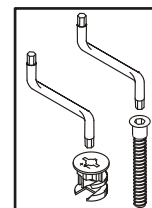
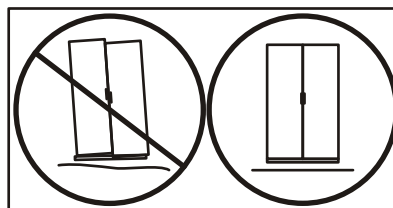
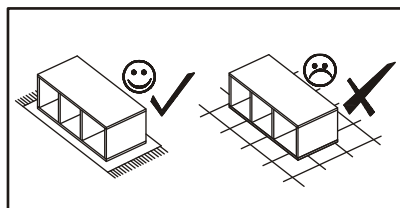
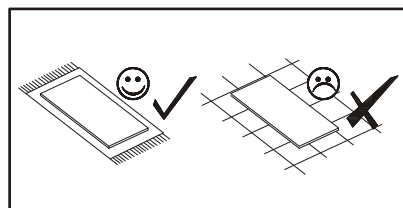
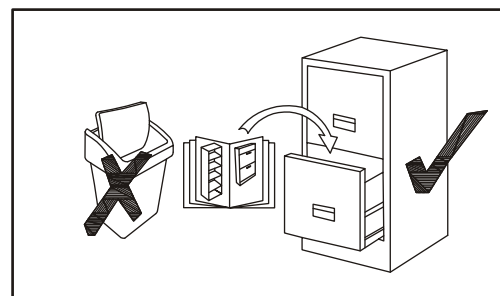
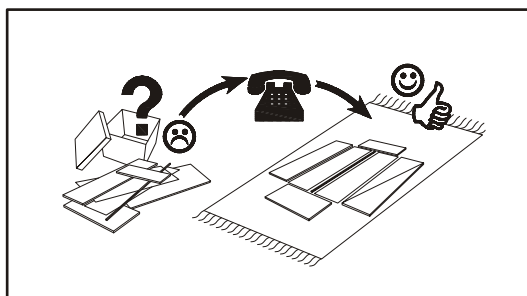
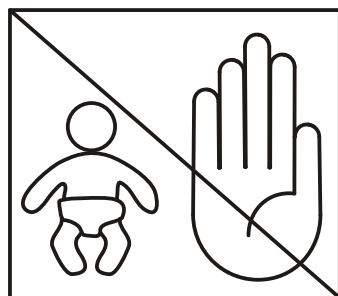
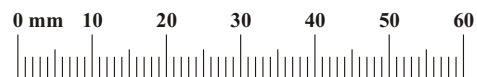


60 min

NO	Dim.		Col.-No	Qty	
1	1602	450	22	2 / 2.	1
2	1602	450	22	2 / 2.	1
3	290	428	16	1 / 2.	1
4	290	428	16	1 / 2.	1
5	290	408	16	1 / 2.	2
6	526	284	16	1 / 2.	2
7	1580	302	3	2 / 2.	1
8	540	398	16	1 / 2.	1


BOGOTA 20_BARTV

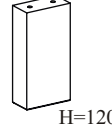
A1 x16 ø8x36	B4 x16	B5 x16 ø15x12	G5 x16	BO1 x2	G7 x4
E5 x4 Ø26 H=16	E4 x4 H=2	D10 x24 USØ3,5x13	OD1 x2	B11 x10 Ø7x50	G4 x10
SK x4 H=120	SP x1 H=120	S1 x14	UP13 x4 UPØ3x16	KR1 x1	L1 x1
G2 x1					





BOGOTA 20_BARTV

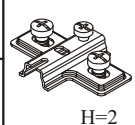
1

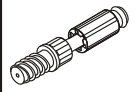
SK	
x4	H=120

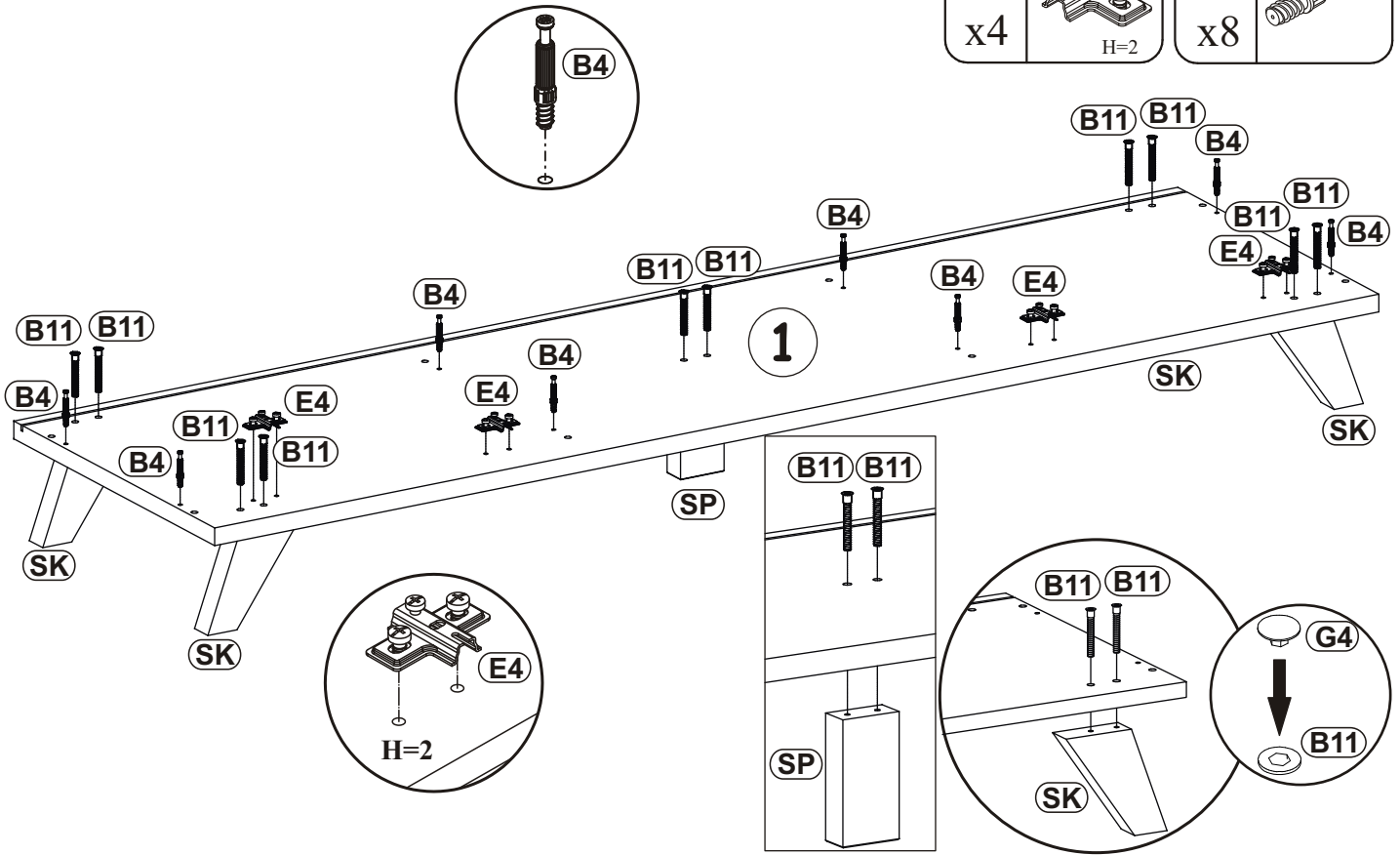
SP	
x1	H=120

B11	
x10	Ø7x50

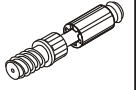
G4	
x10	

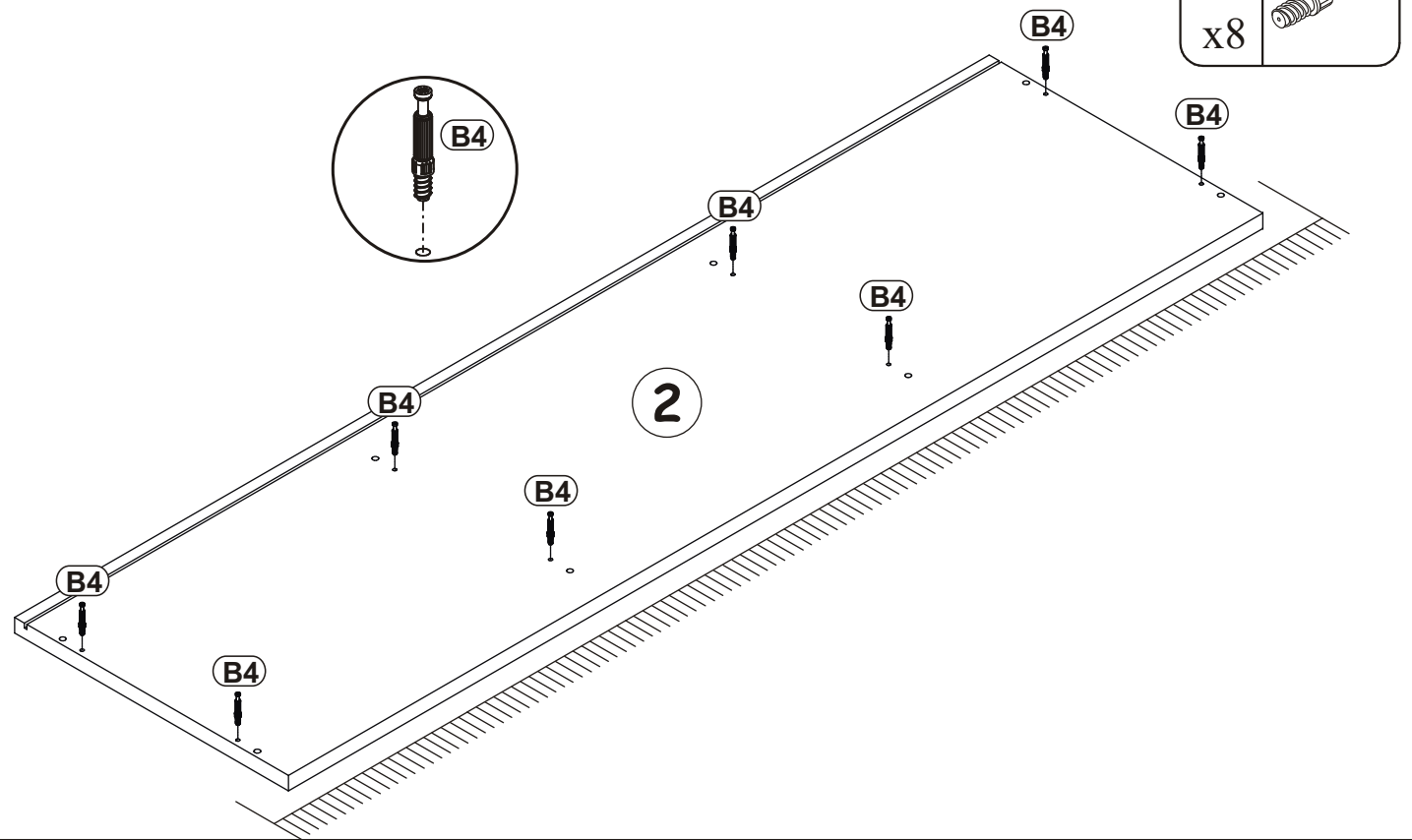
E4	
x4	H=2

B4	
x8	

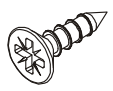
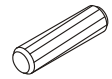

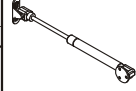


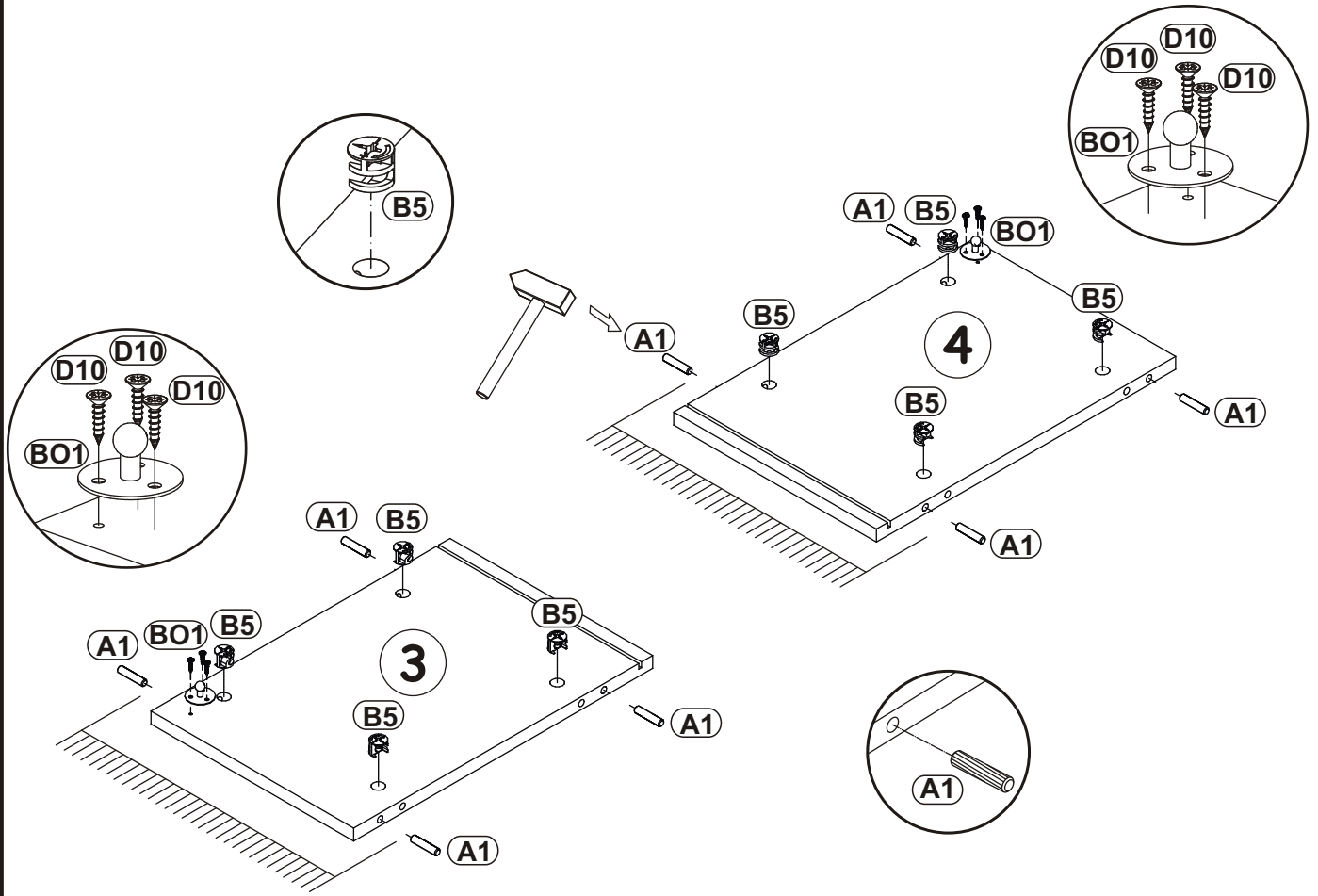
2

B4	
x8	

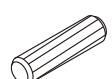

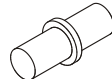


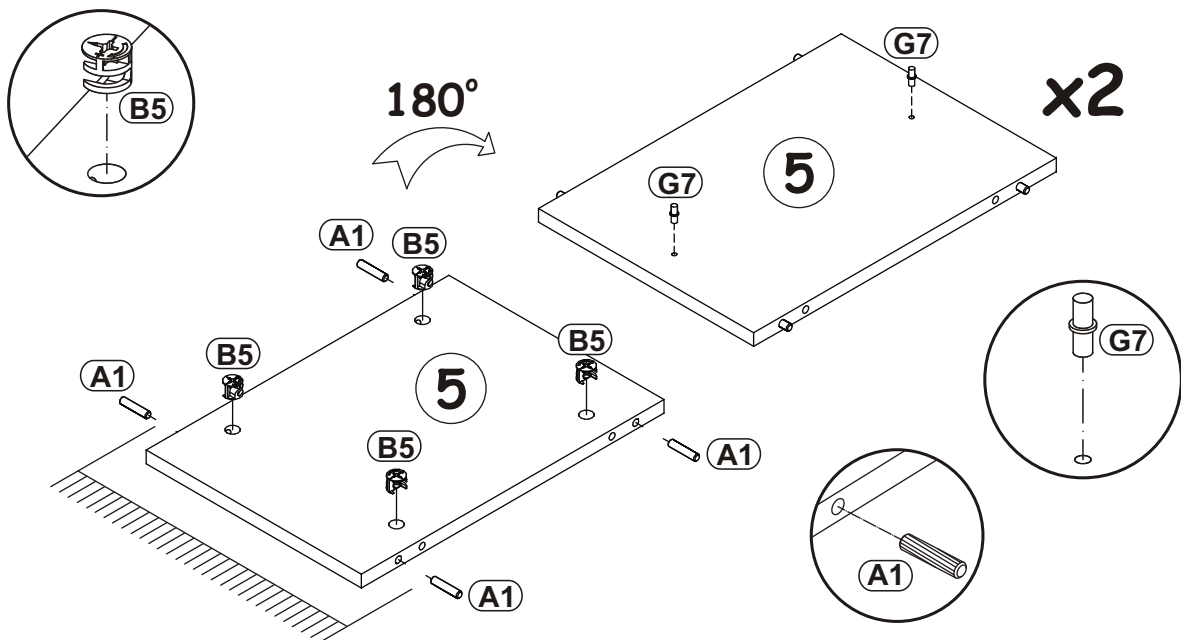
3

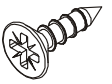
D10		A1		B5		BO1	
x6	USØ3,5x13	x8	ø8x36	x8	ø15x12	x2	



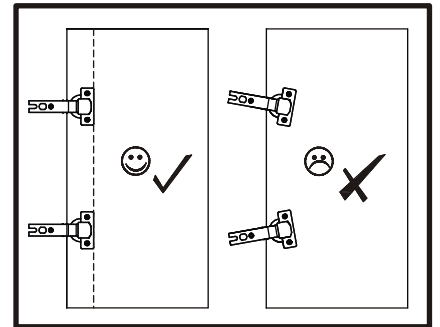
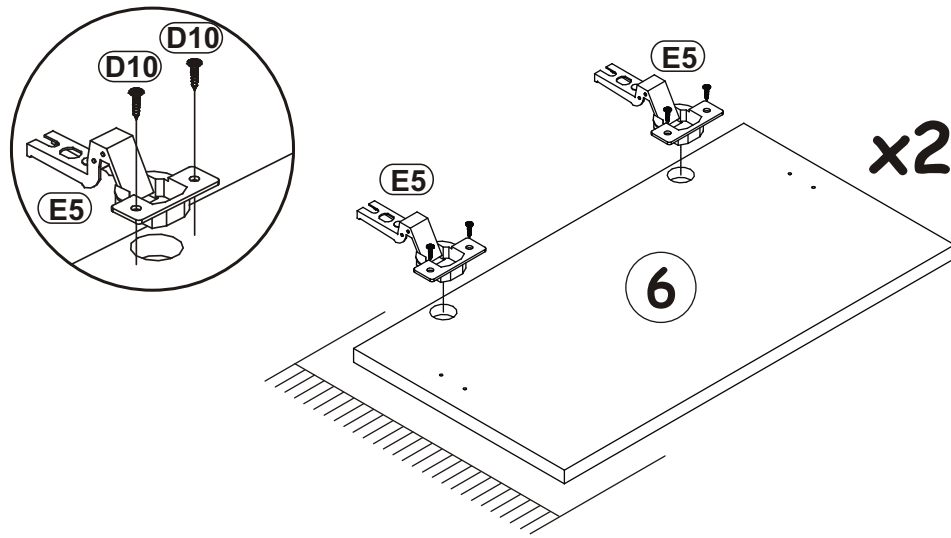
4

A1		B5		G7	
x8	ø8x36	x8	ø15x12	x4	




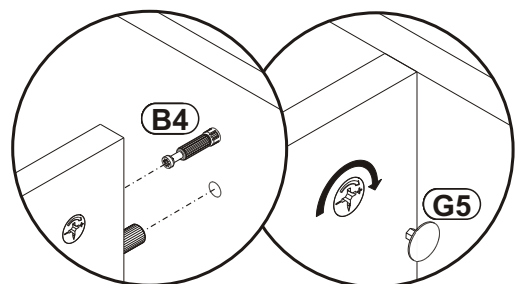
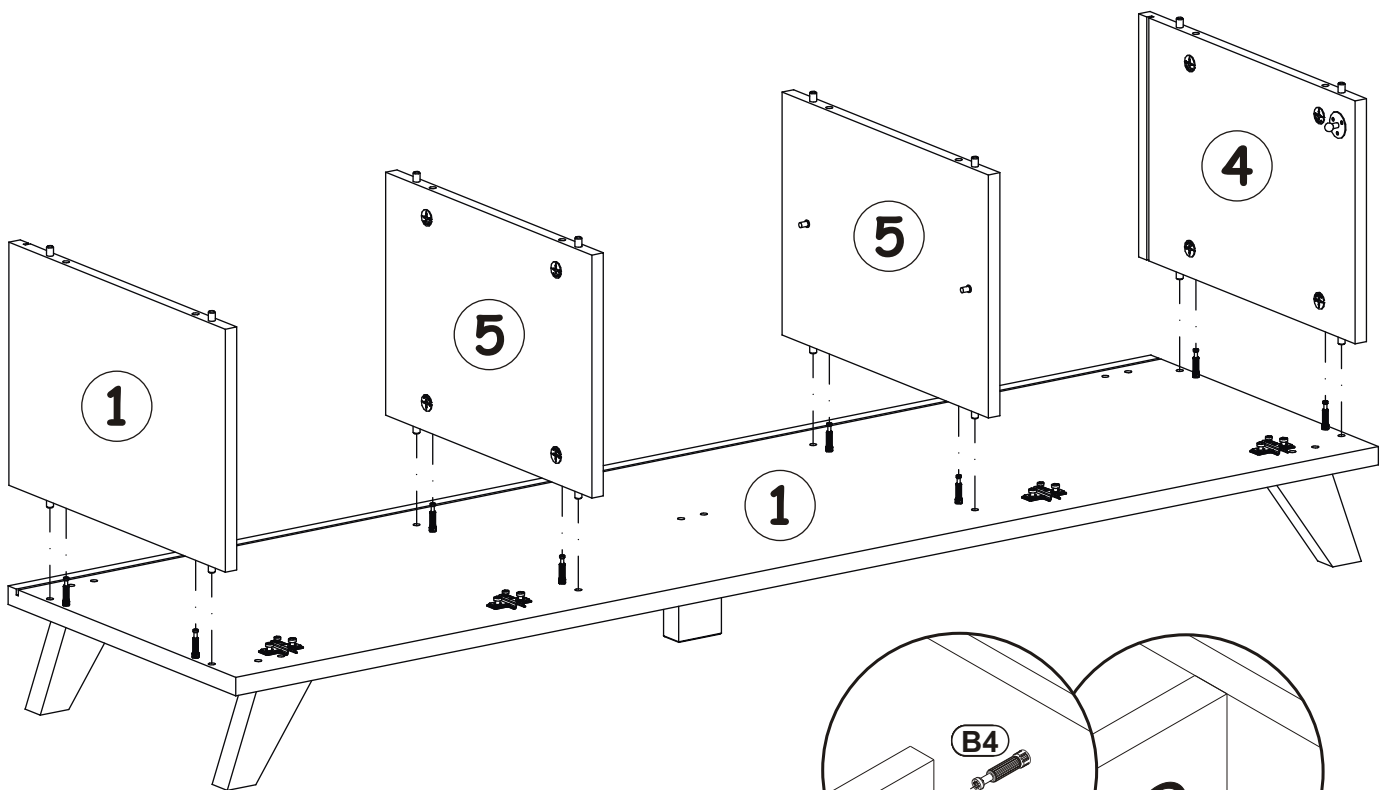
E5	Ø26	D10	 USØ3,5x13
x4	H=16	x8	

5

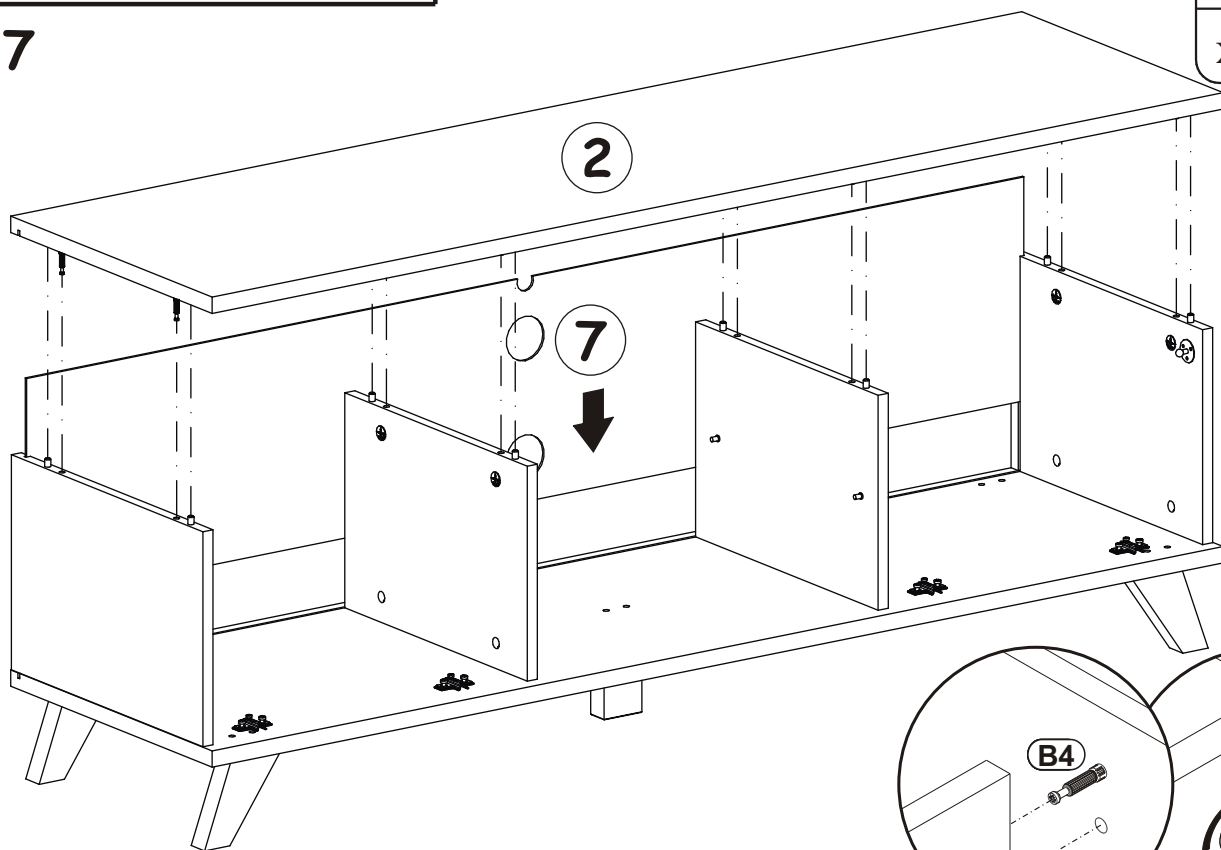



6

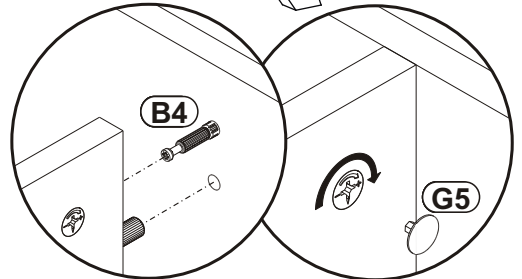
G5	
x8	



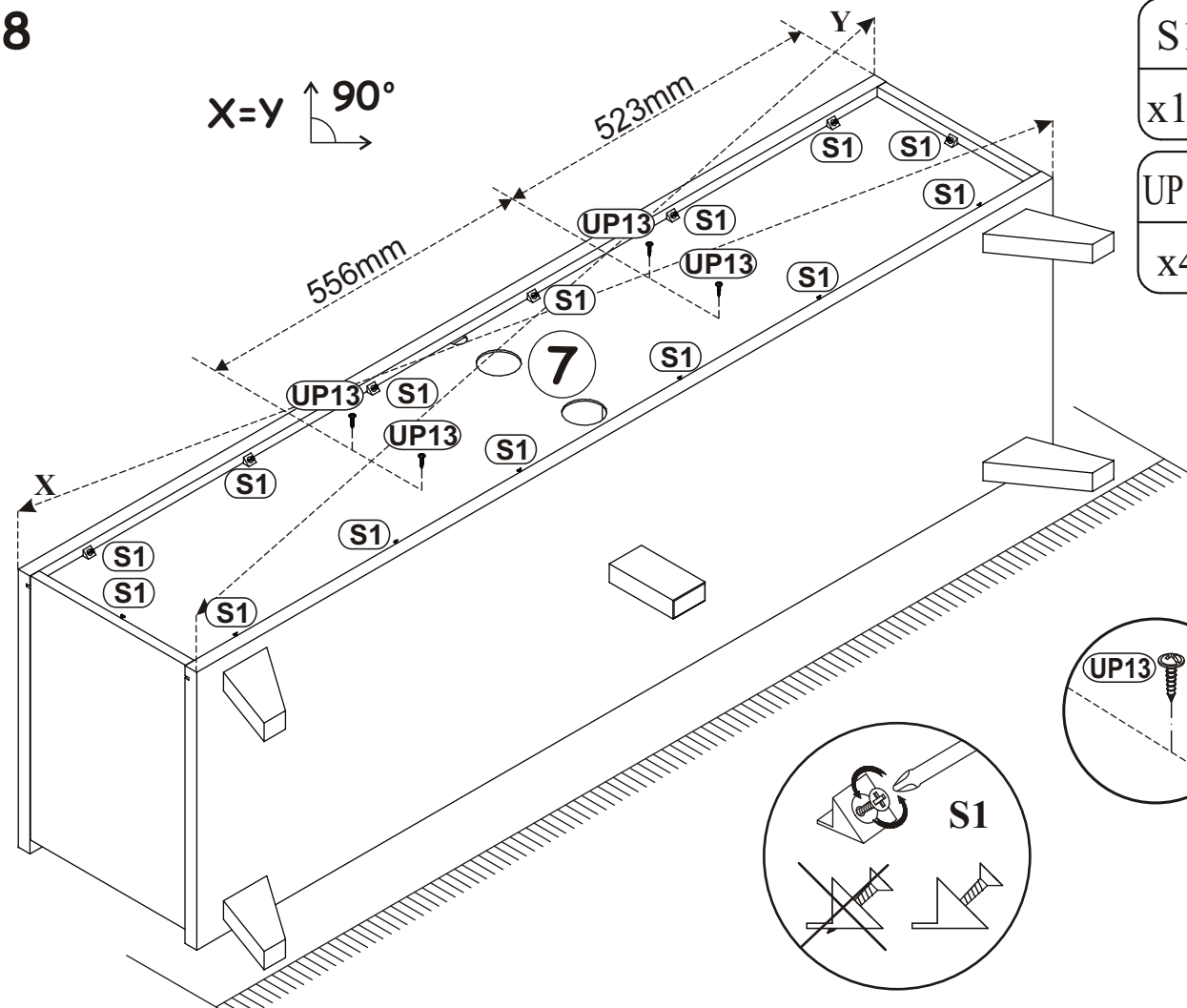
7

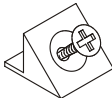



G5	
x8	

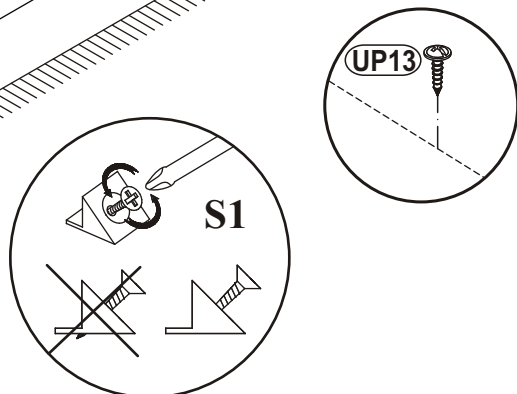


8

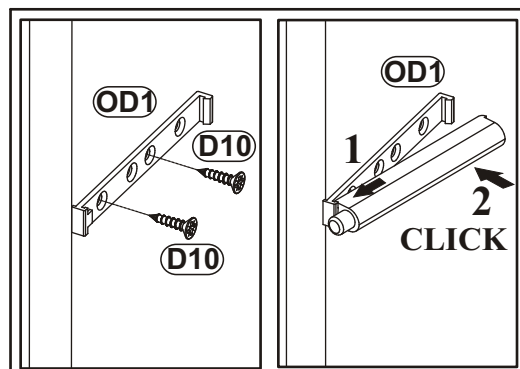
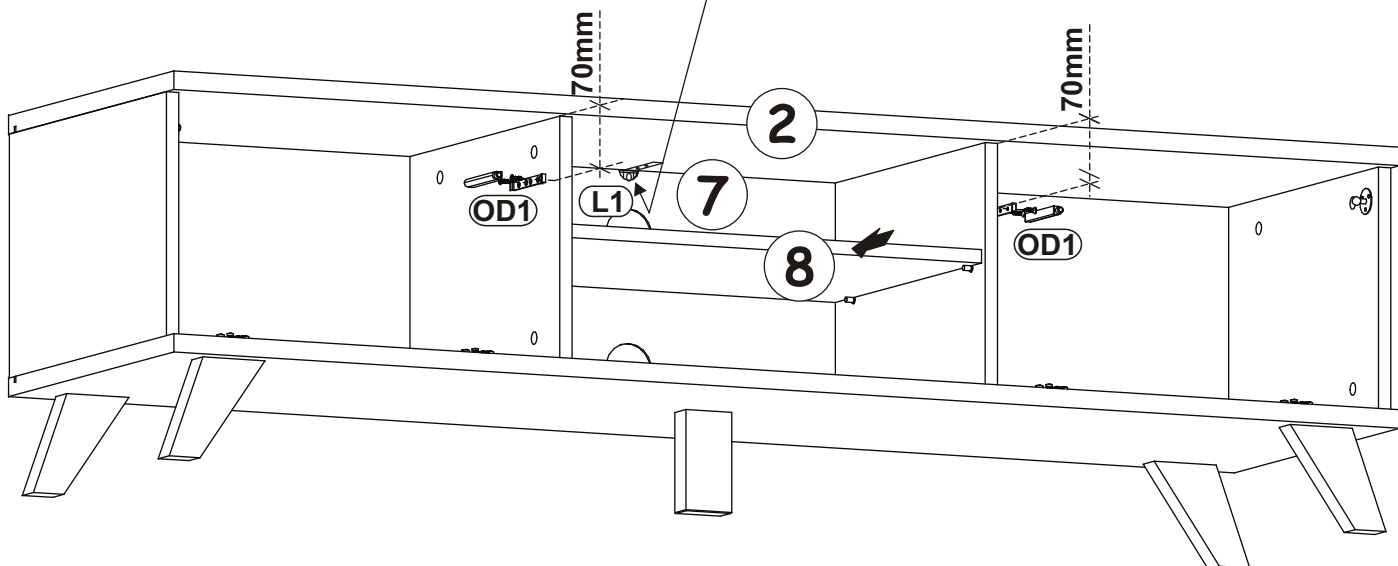
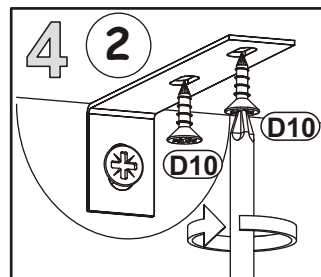
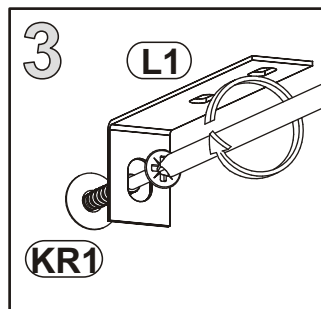
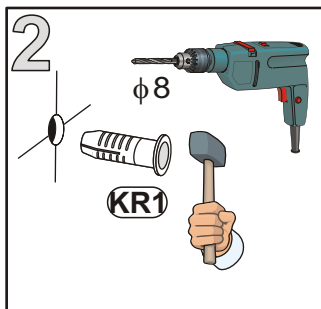
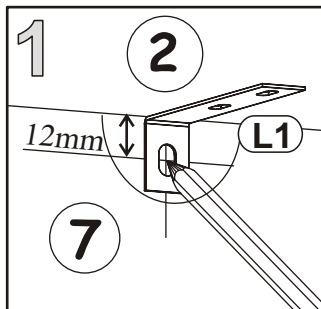
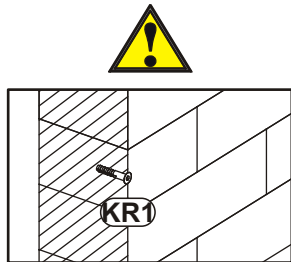
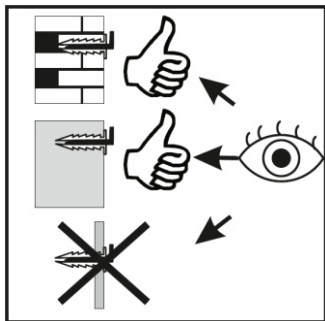
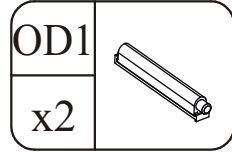
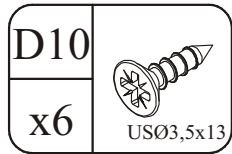
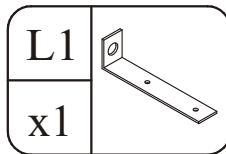
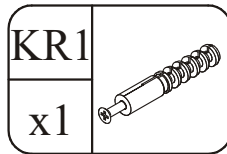


S1	
x14	

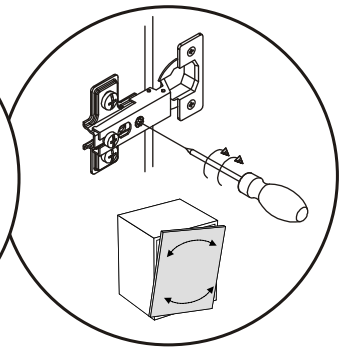
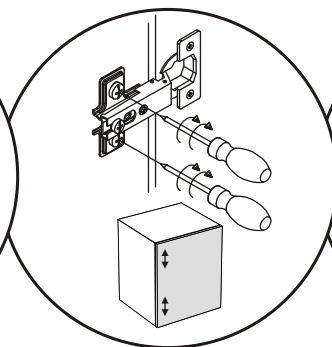
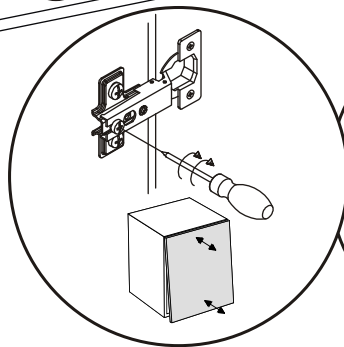
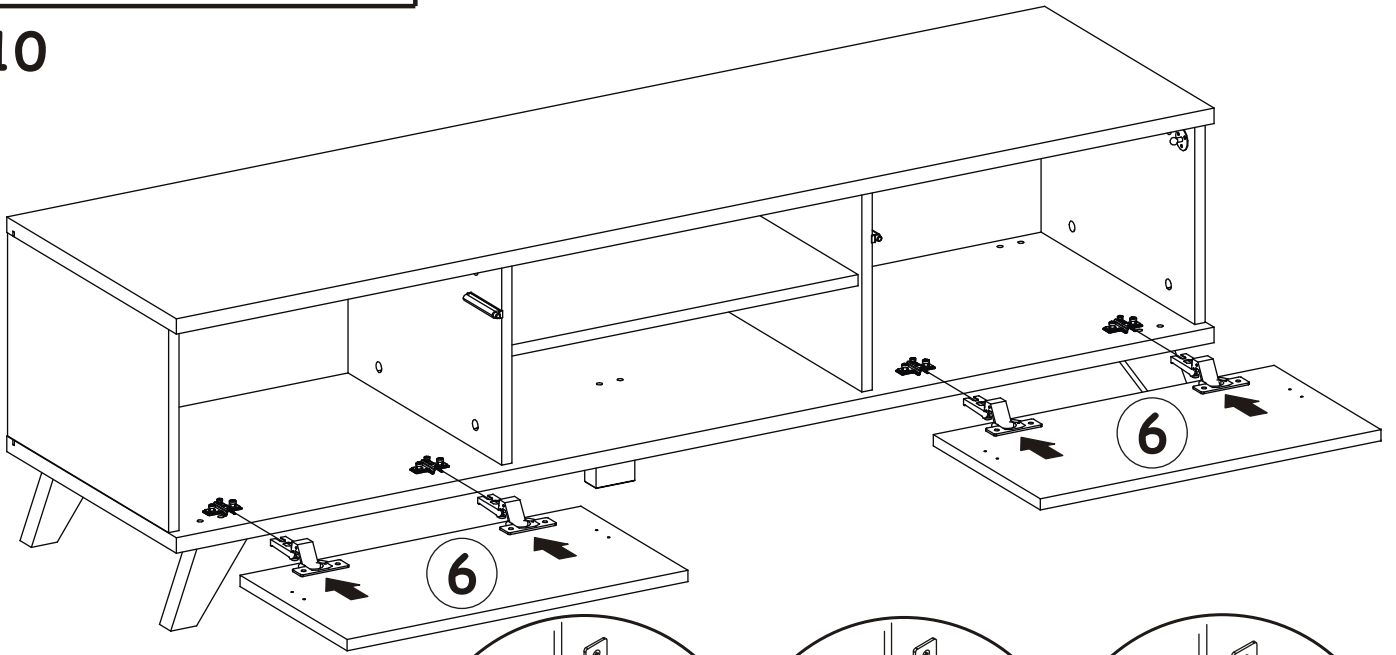
UP13	
x4	UPØ3x16




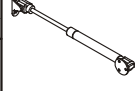
9



10



11

D10		BO1	
x4	USØ3,5x13	x2	

